

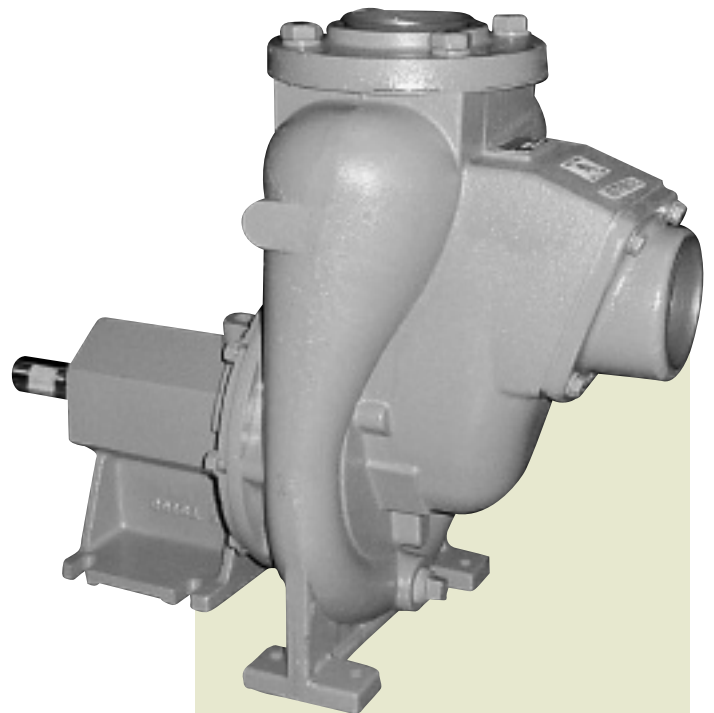
MP PUMPS, INC.

PETROLEUM 30

Self-Priming Centrifugal Pump

Specifically designed for transfer of petroleum based fluids, MP's *Petroleum 30* series is available in three (3) distinct models: **PO 30**, **PG 30** and **PE 30**.

Designed to close-couple to 215TC and 256TC frame electric motors, or as a pedestal mount for flexible coupling. Models are self-priming and capable of 20 foot suction lift.



SPECIFICATIONS:

Suction and Discharge	3" x 3" NPT
Housing	PO 30 . . . Cast Iron, Ductile Iron (optional) PG 30 . . . Ductile Iron PE 30 . . . Ductile Iron
Impeller, Semi-Open. PO 30 . . .	Cast Iron PG 30 . . . Cast Iron, Aluminum (optional) PE 30 . . . Cast Iron, 316 SS (optional)
Wear Plate	PO 30 . . . Steel PG 30 . . . Aluminum PE 30 . . . Steel
Mechanical Seal . . .	PO 30 . . . Type 21 Viton/Carbon/NiResist/SS PG 30 . . . Type 2 Viton/Carbon/Silicon Carbide/SS PE 30 . . . Type 2 Viton/Carbon/Silicon Carbide/SS
Gasket, Flange	Composite
Fasteners	Stainless Steel
Clamp, Shaft	Brass, Lead-Free

COMPATIBLE FOR:

- **PO 30** - Biodiesel, Fuel Oil, Diesel
- **PG 30** - Gasoline, Avgas, Kerosene, Jet A/8
- **PE 30** - Ethanol, E 85

MOUNTING OPTIONS:

Pedestal Or Close Coupled To Nema C Face Motors

- **PO 30** - TEFC
- **PG 30** - Explosion Proof Class 1 Group D
- **PE 30** - Explosion Proof Class 1 Group D

PERFORMANCE TO:

500 GPM 180 HD. FT. @ 3450 RPM

395 GPM 38 HD. FT. @ 1750 RPM

motralec

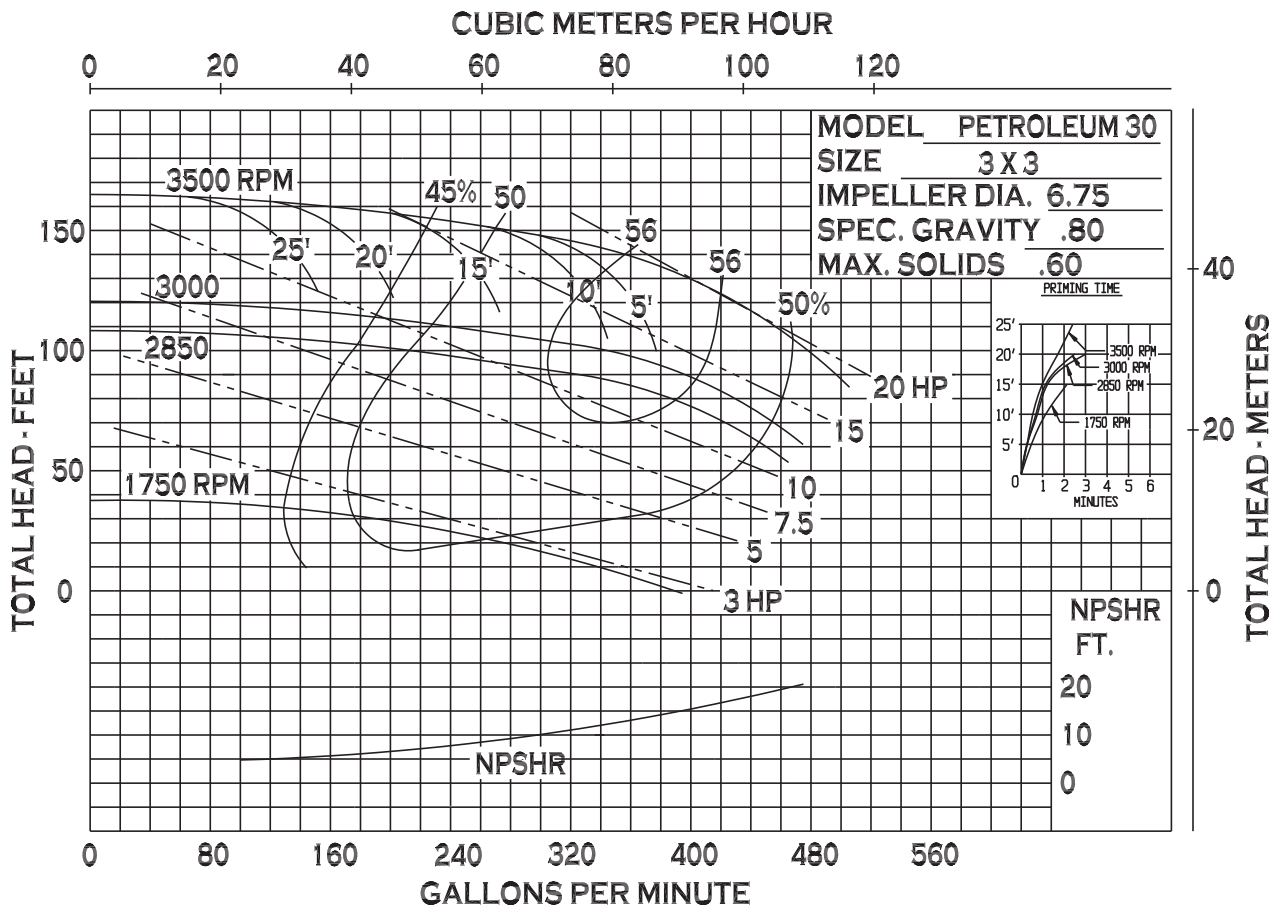
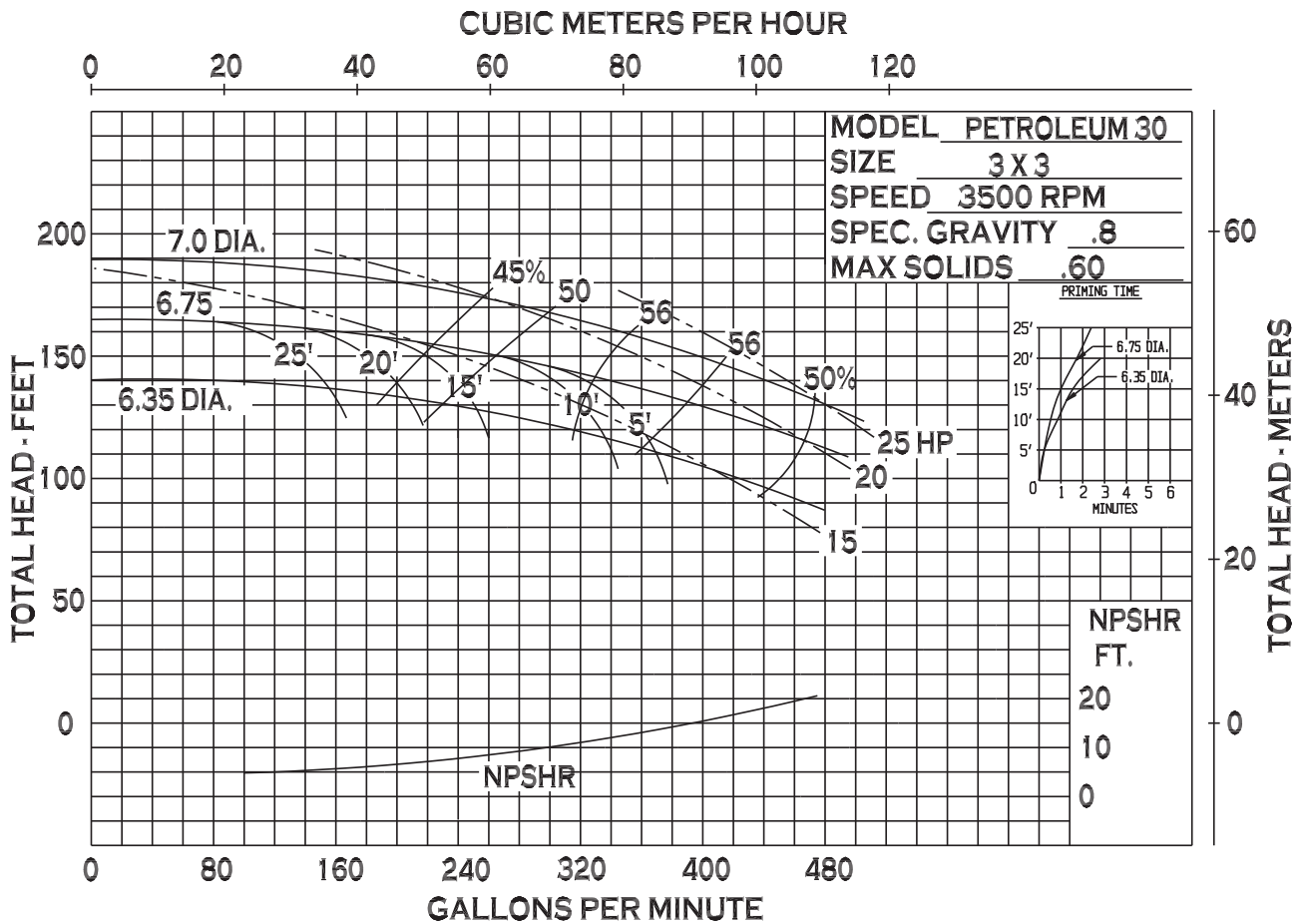
4 rue Lavoisier . ZA Lavoisier . 95223 HERBLAY CEDEX

Tel. : 01.39.97.65.10 / Fax. : 01.39.97.68.48

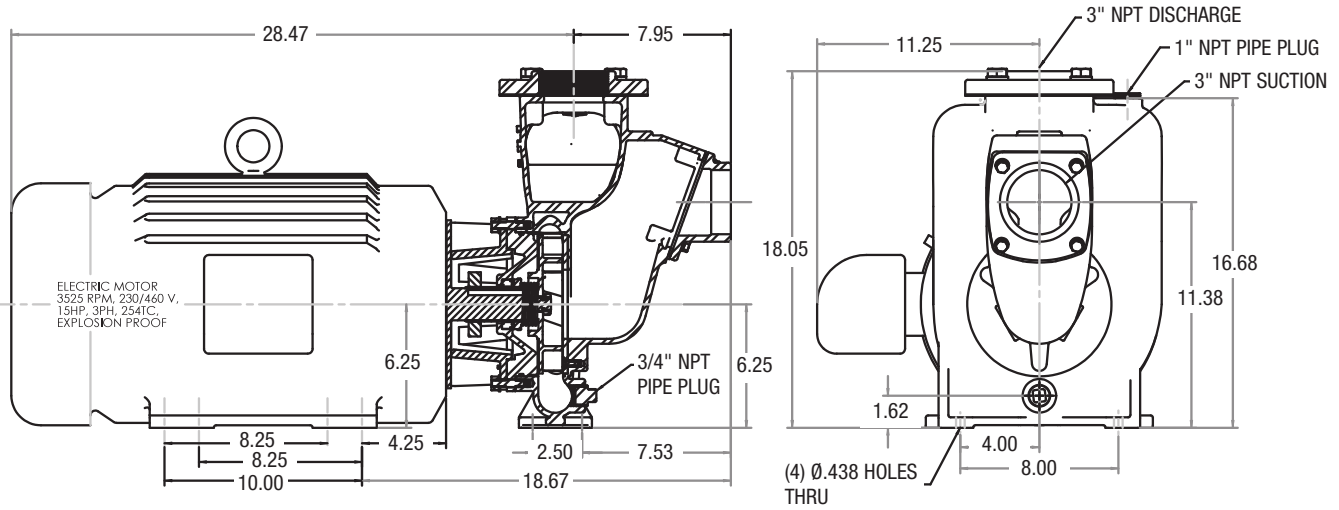
Demande de prix / e-mail : service-commercial@motralec.com

www.motralec.com

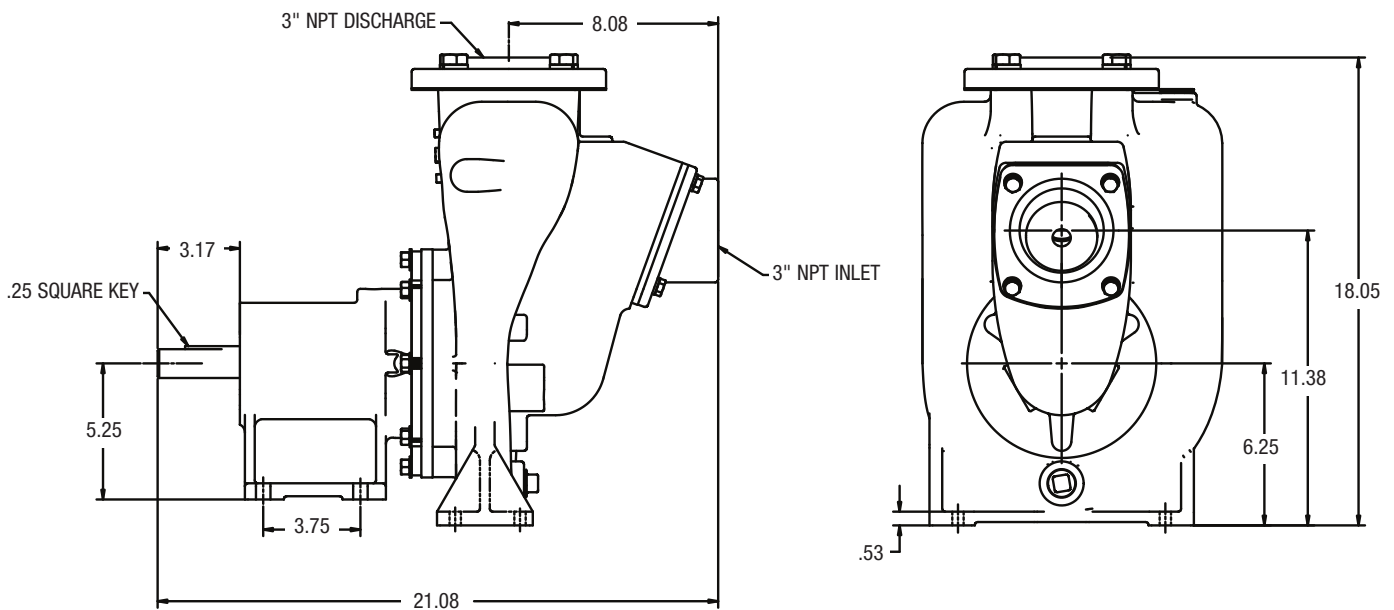
PETROLEUM 30



CLOSE COUPLED - ELECTRIC MOTOR



PEDESTAL-MOUNT



motralec

4 rue Lavoisier . ZA Lavoisier . 95223 HERBLAY CEDEX

Tel. : 01.39.97.65.10 / Fax. : 01.39.97.68.48

Demande de prix / e-mail : service-commercial@motralec.com

www.motralec.com