

# MP PUMPS, INC.

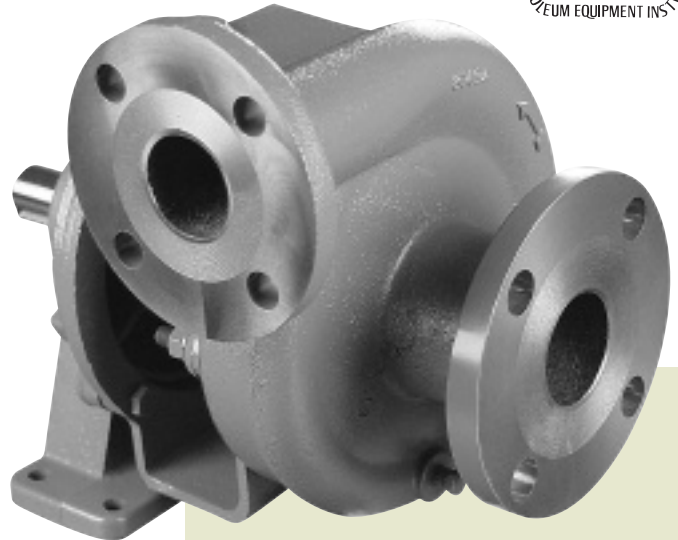
## PETROLEUM 180

### End Suction Centrifugal Pump

Specifically designed for petroleum based fluids, MP's *Petroleum 180* series is available in three (3) distinct models: **SO 180**, **SG 180** and **SE 180**.

Designed to close-couple to 215JP frame electric motors, the models are also available as *Pumpaks*. Additional mounting options include pedestal, diesel-engine drive, and hydraulic drive.

Pump rotation in 90° increments.



### SPECIFICATIONS:

Suction and Discharge . . . . .	3" x 1 1/2" NPT 150# Flange
Housing . . . . .	SO 180.. Cast Iron, Ductile Iron (optional) SG 180.. Ductile Iron SE 180.. Ductile Iron
Impeller, Enclosed . . .	SO 180.. Cast Iron SG 180.. Aluminum SE 180.. Cast Iron
Mechanical Seal . . .	SO 180.. Type 21 Viton/Carbon/NiResist/SS SG 180.. Type 2 Viton/Carbon/Silicon Carbide/SS SE 180.. Type 2 Viton/Carbon/Silicon Carbide/SS
Gasket, Flange . . . .	Composite
Shaft Sleeve . . . . .	Stainless Steel
Fasteners . . . . .	Stainless Steel
Clamp, Shaft . . . . .	Brass, Lead-Free

### COMPATIBLE FOR:

- **SO 180** - Biodiesel, Fuel Oil, Diesel
- **SG 180** - Gasoline, Avgas, Kerosene, Jet A/8
- **SE 180** - Ethanol, E 85

### MOUNTING OPTIONS:

Pedestal Or Close Coupled To Nema C Face Motors

- **SO 180** - TEFC
- **SG 180** - Explosion Proof Class 1 Group D
- **SE 180** - Explosion Proof Class 1 Group D

### PERFORMANCE TO:

320 GPM 160 HD. FT. @ 3450 RPM

**motralec**

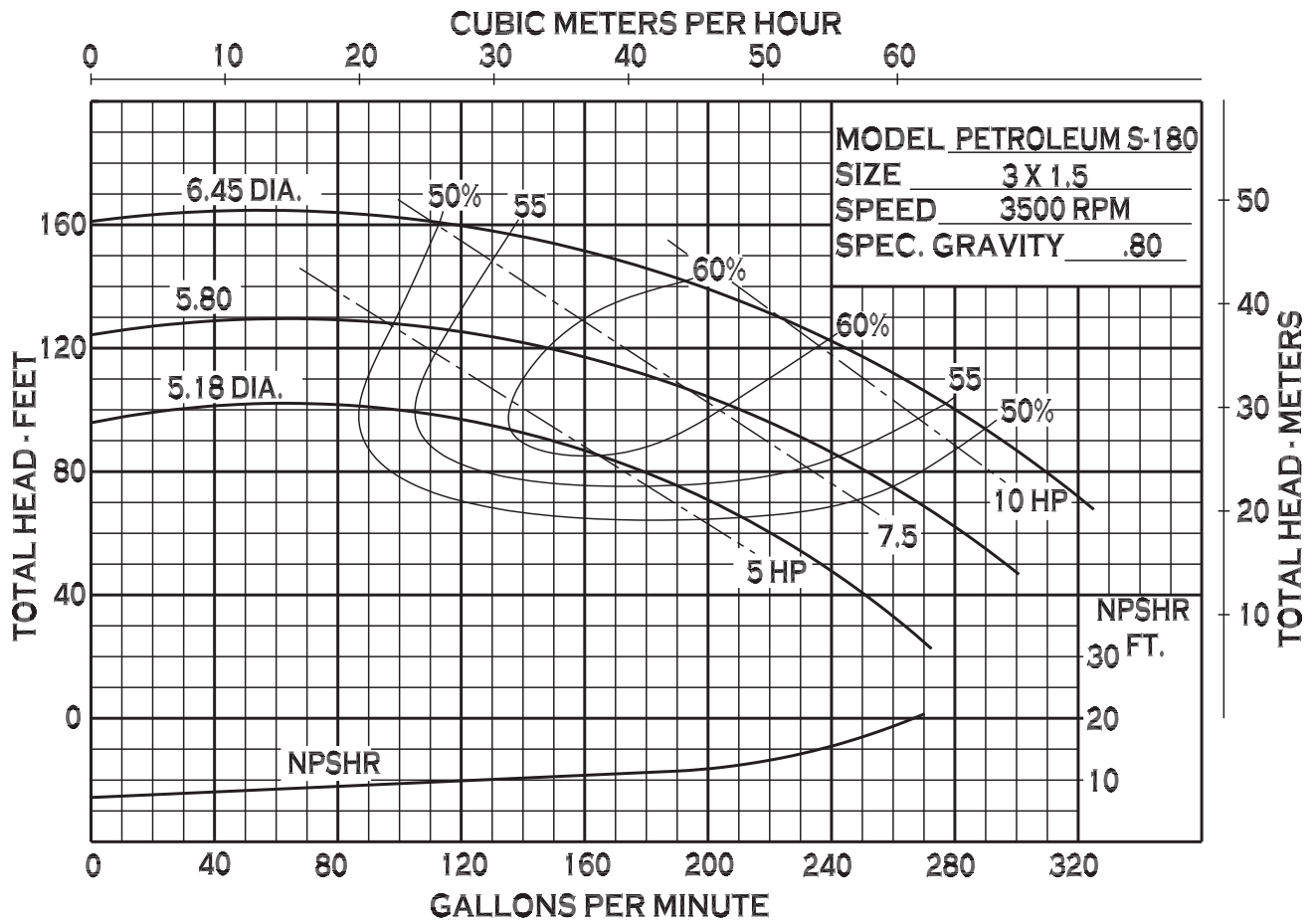
4 rue Lavoisier . ZA Lavoisier . 95223 HERBLAY CEDEX

Tel. : 01.39.97.65.10 / Fax. : 01.39.97.68.48

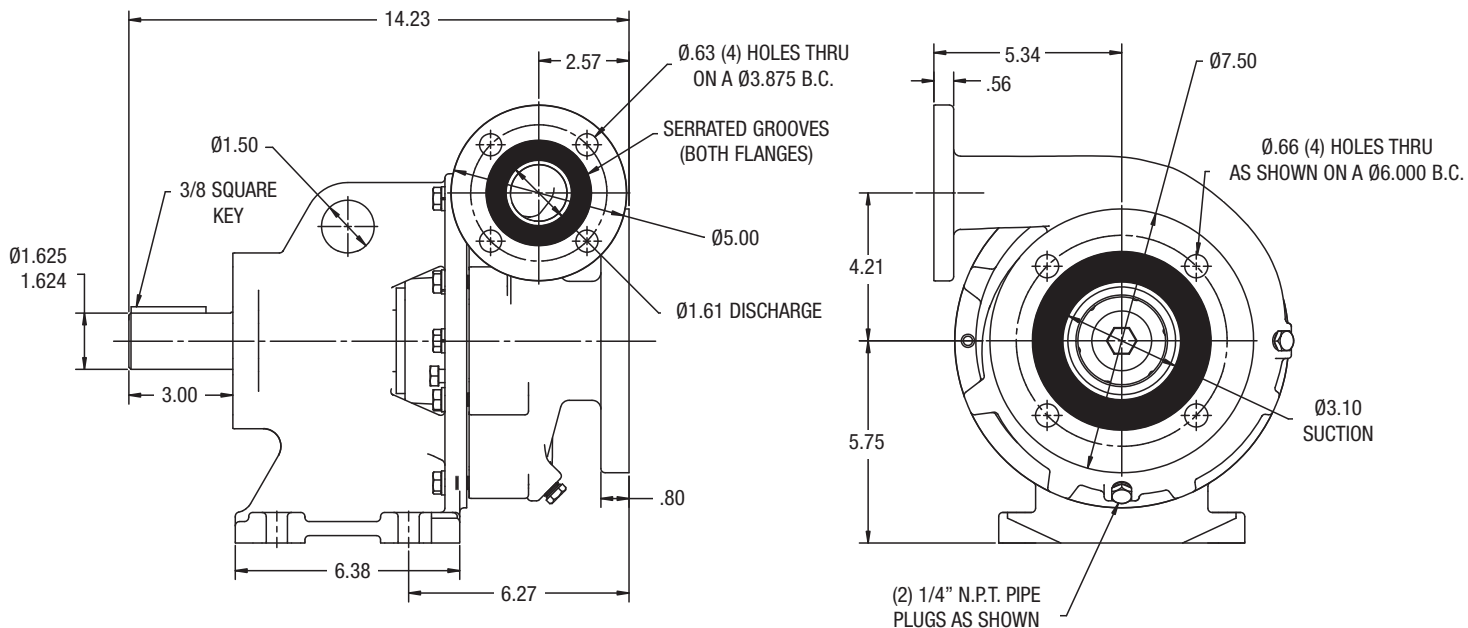
Demande de prix / e-mail : [service-commercial@motralec.com](mailto:service-commercial@motralec.com)

[www.motralec.com](http://www.motralec.com)

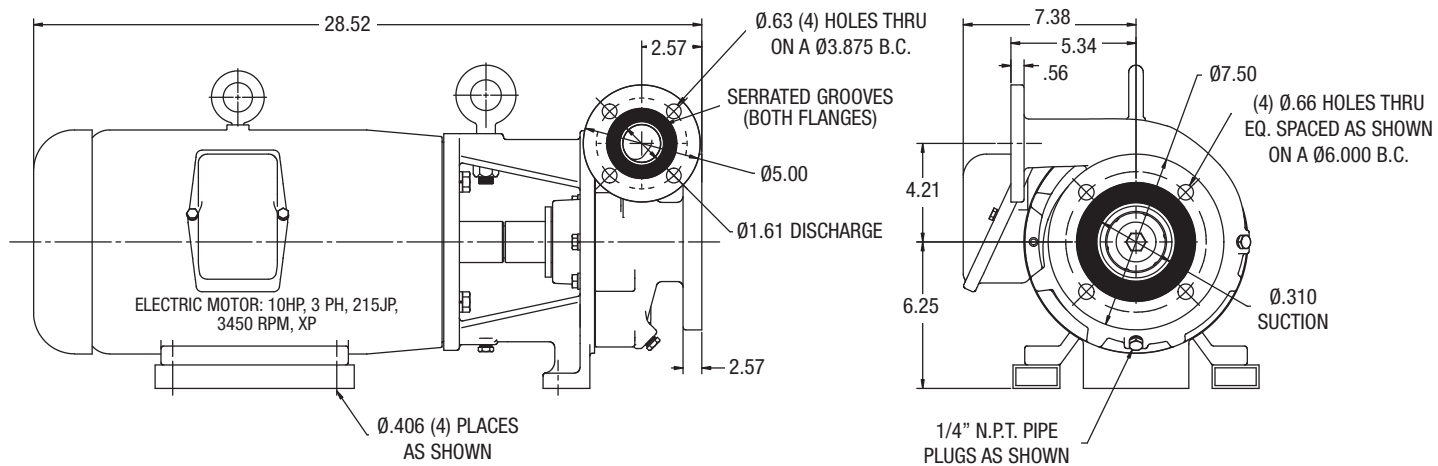
# PETROLEUM 180



## PEDESTAL-MOUNT



## CLOSE COUPLED - ELECTRIC MOTOR



**motralec**

4 rue Lavoisier . ZA Lavoisier . 95223 HERBLAY CEDEX

Tel. : 01.39.97.65.10 / Fax. : 01.39.97.68.48

Demande de prix / e-mail : service-commercial@motralec.com

[www.motralec.com](http://www.motralec.com)