

MP PUMPS, INC.

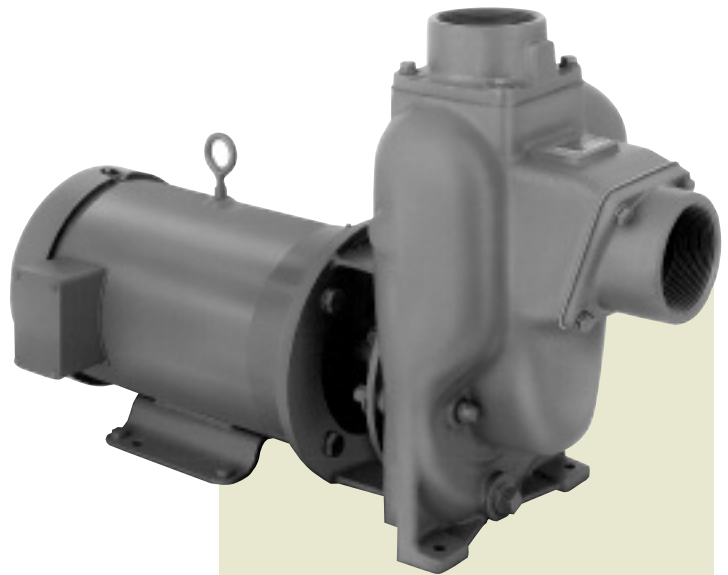
PETROLEUM 15

Self-Priming Centrifugal Pump

Specifically designed for transfer and delivery of various petroleum based fluids, MP's *Petroleum 15* series is available in three (3) distinct models: **PO 15**, **PG 15** and **PE 15**.

Designed to close-couple to 184TC frame electric motors, the models are also available as *Pumpaks*. Additional mounting options include pedestal, diesel-engine drive, and hydraulic drive.

Models are self-priming and capable of up to 20 foot suction lift.



SPECIFICATIONS:

Suction and Discharge	3" x 3" NPT
Housing	PO 15 . . . Cast Iron, Ductile Iron (optional) PG 15 . . . Ductile Iron PE 15 . . . Ductile Iron
Impeller, Semi-Open. PO 15 . . .	Cast Iron PG 15 . . . Cast Iron, Aluminum (optional) PE 15 . . . Cast Iron, 316 SS (optional)
Wear Plate	PO 15 . . . Steel PG 15 . . . Aluminum PE 15 . . . Steel
Mechanical Seal . . .	PO 15 . . . Type 21 Viton/Carbon/NiResist/SS PG 15 . . . Type 2 Viton/Carbon/Silicon Carbide/SS PE 15 . . . Type 2 Viton/Carbon/Silicon Carbide/SS
Gasket, Flange	Composite
Shaft Sleeve	Stainless Steel
Fasteners	Stainless Steel
Clamp, Shaft	Brass, Lead-Free

COMPATIBLE FOR:

- **PO 15** - Biodiesel, Fuel Oil, Diesel
- **PG 15** - Gasoline, Avgas, Kerosene, Jet A/8
- **PE 15** - Ethanol, E 85

MOUNTING OPTIONS:

Pedestal Or Close Coupled To Nema C Face Motors

- **PO 15** - TEFC
- **PG 15** - Explosion Proof Class 1 Group D
- **PE 15** - Explosion Proof Class 1 Group D

PERFORMANCE TO:

320 GPM 134 HD. FT. @ 3450 RPM

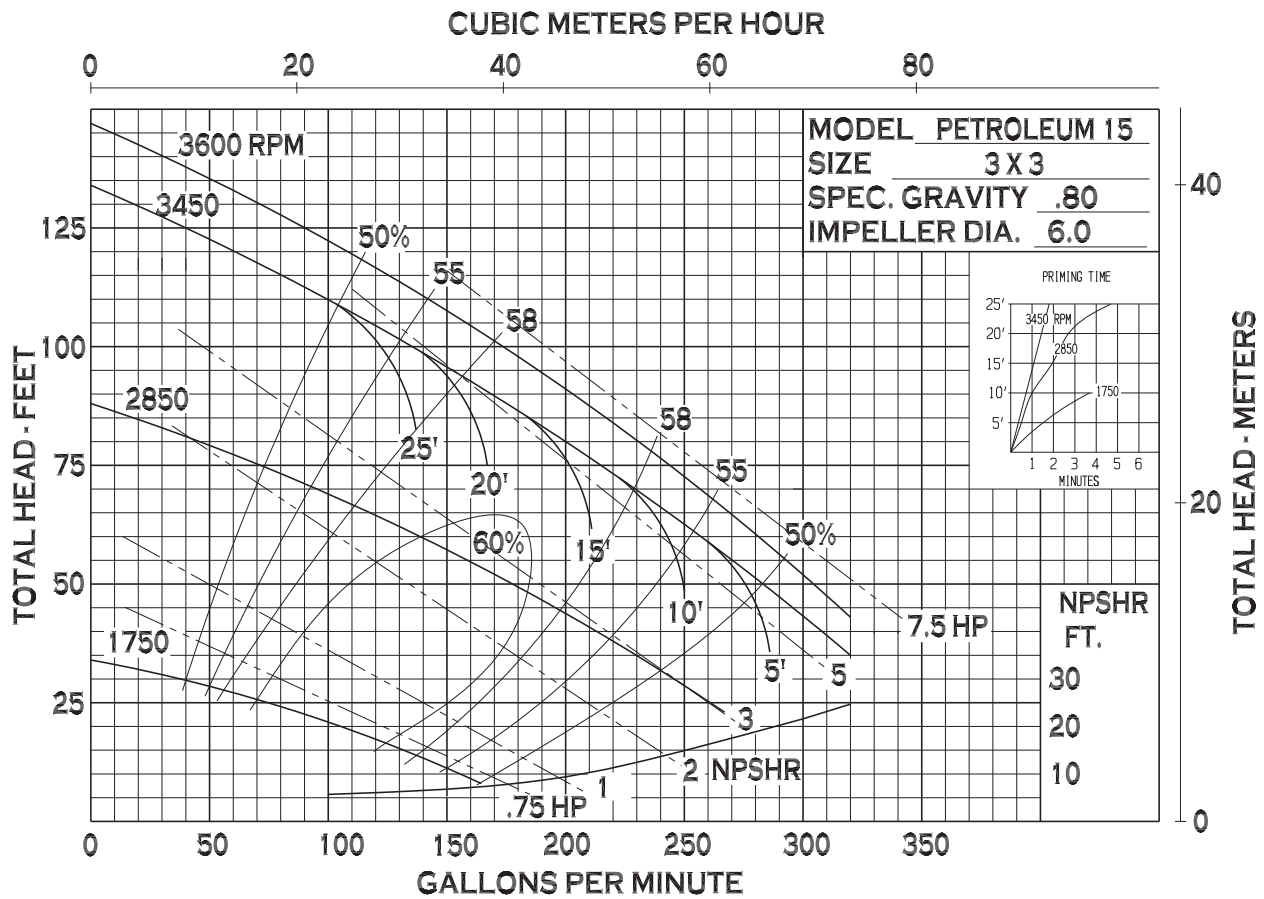
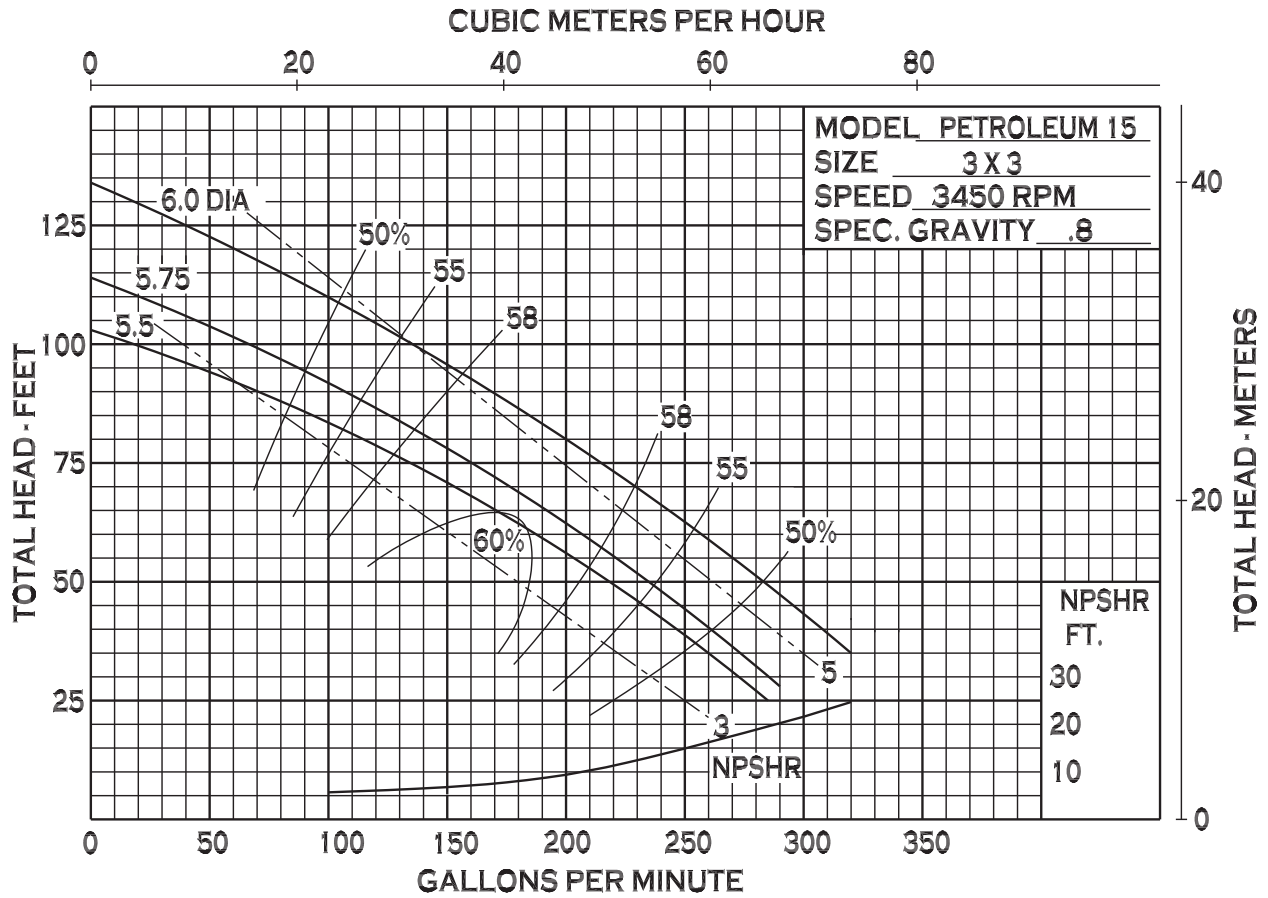
162 GPM 34 HD. FT. @ 1750 RPM

motralec

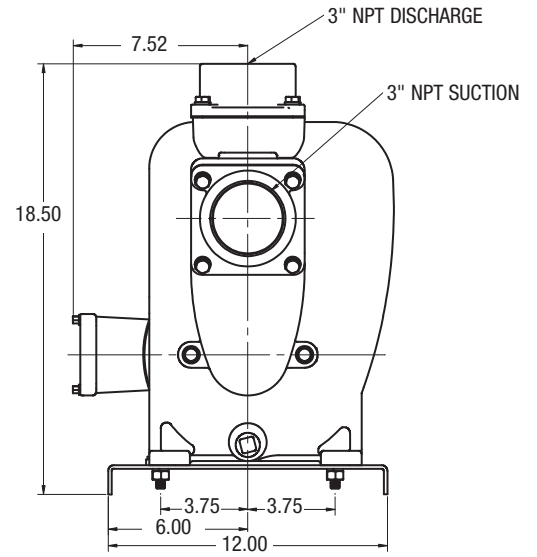
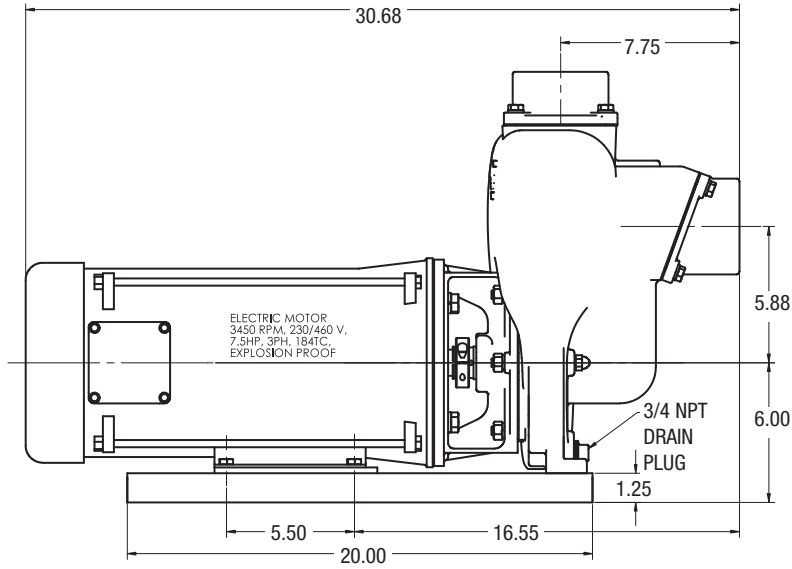
4 rue Lavoisier . ZA Lavoisier . 95223 HERBLAY CEDEX
Tel. : 01.39.97.65.10 / Fax. : 01.39.97.68.48
Demande de prix / e-mail : service-commercial@motralec.com

www.motralec.com

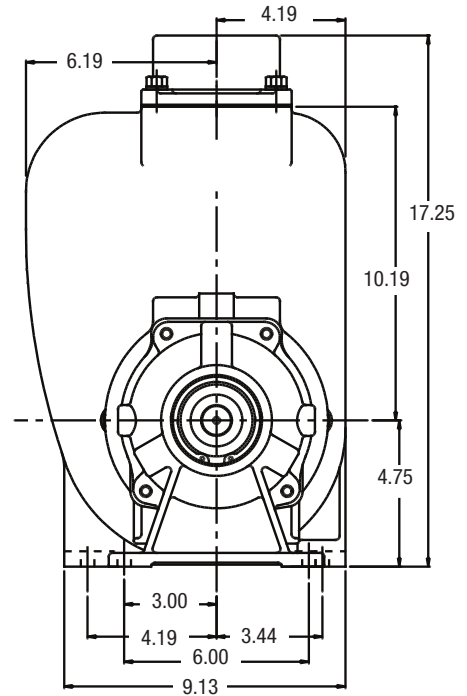
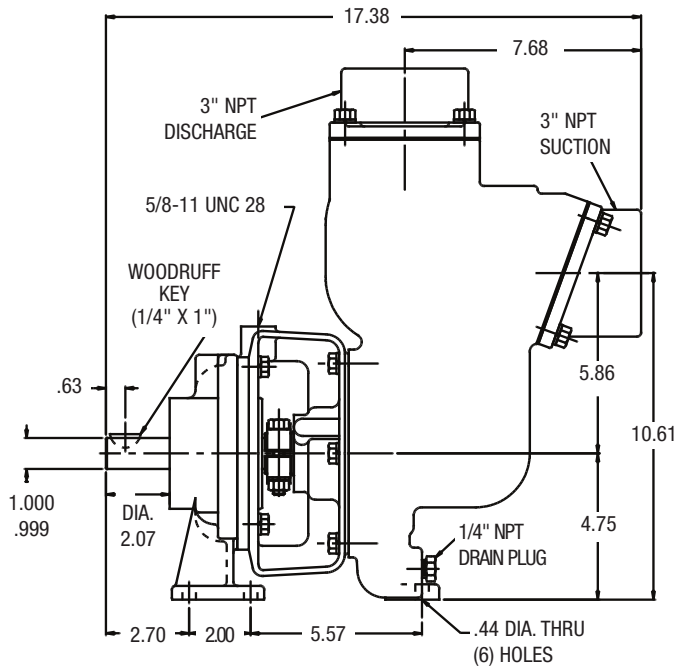
PETROLEUM 15



CLOSE COUPLED - ELECTRIC MOTOR



PEDESTAL-MOUNT



motralec

4 rue Lavoisier . ZA Lavoisier . 95223 HERBLAY CEDEX
 Tel. : 01.39.97.65.10 / Fax. : 01.39.97.68.48
 Demande de prix / e-mail : service-commercial@motralec.com
www.motralec.com