



ELECTRONIC CAPACITY CONTROL

COMPACT & PRECISE CAPACITY CONTROL FOR THE MOST DEPENDABLE METERING PUMPS

ELECTRONIC CONTROL FEATURES

- 100% duty cycle
- Superior Accuracy
- Compact electronic design
- Manual handwheel standard
- No clutches or brakes
- Severe duty design standard
- Local micrometer stroke indication
- Split signal capacity standard (field adjustable)
- Direct or reverse acting standard (field adjustable)
- Low maintenance design
- No overshoot or hunting
- Wall & panel mount remote controllers (w/indication) available

ELECTRONIC CONTROL SPECIFICATIONS

Enclosure

- NEMA 4 (acceptable in Div. II area locations) (standard)
- EXPLOSION PROOF Factory Mutual Certified, Class I, Div. 1, Groups B, C, & D; CSA Certified Class I, Div. 1, Groups C & D; FM & CSA Certified Dust Ignition Proof, Class II, Div. 1, Groups E, F, & G (optional)

Electrical Input Power

- 1 phase, 50/60 hz cycle, 115 VAC (standard)
- 1 phase, 50/60 hz cycle, 220 VAC (optional)

Control Signal

- 4-20 mA (250 ohm load; split range 4-12, 12-20; direct or reverse acting)

Position Output Signal

- 1-5 VDC (standard); 4-20 mA (optional)

Accuracy

- ±0.5% or better

motralec

4 rue Lavoisier . ZA Lavoisier . 95223 HERBLAY CEDEX

Tel. : 01.39.97.65.10 / Fax. : 01.39.97.68.48

Duty Cycle

- 100%

Demande de prix / e-mail : service-commercial@motralec.com

www.motralec.com

Temperature

- 40°F to 120°F (-40°C to 50°C)

Travel Limits

- Electronic, factory set

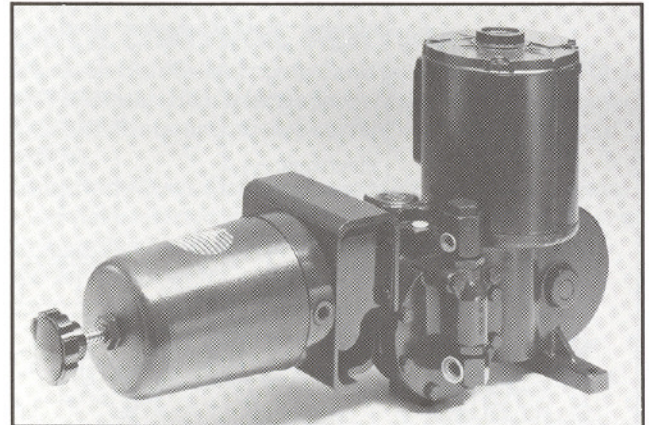
Manual unpowered operation

- Fluted handwheel

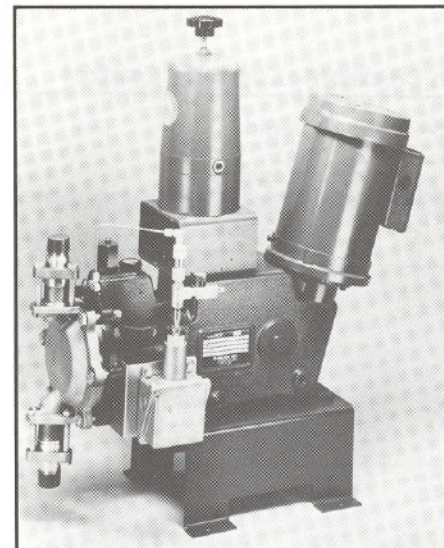
Materials

- Cover Aluminum
- Housing Aluminum
- Handwheel Shaft Stainless Steel
- Handwheel Plastic
- Stem Adaptor Stainless Steel
- Mounting Bracket Steel

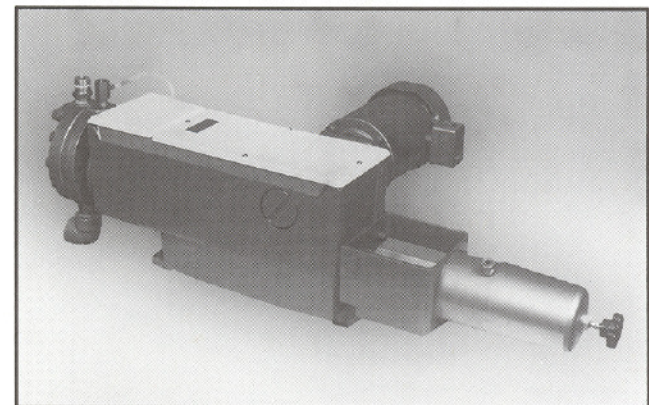
MROY WITH ELECTRONIC CAPACITY CONTROL



MAXROY WITH ELECTRONIC CAPACITY CONTROL



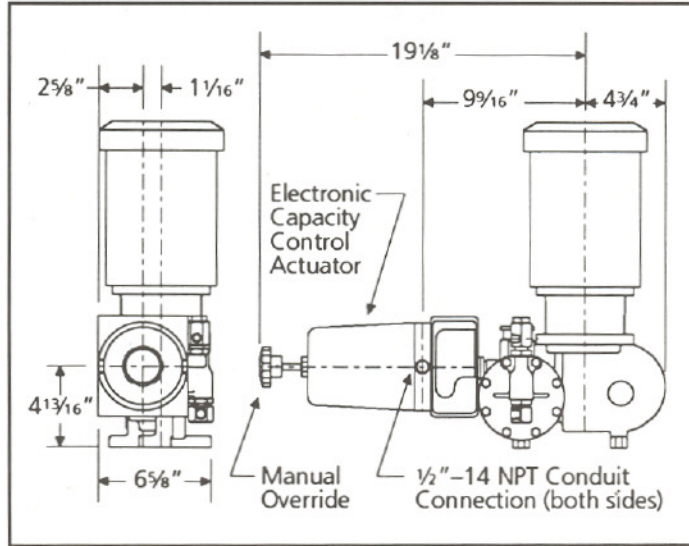
MILROYAL B WITH ELECTRONIC CAPACITY CONTROL



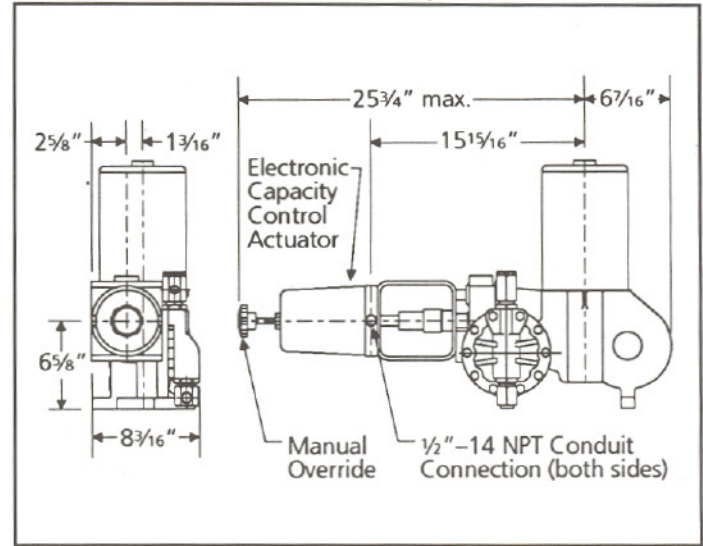


DIMENSIONS

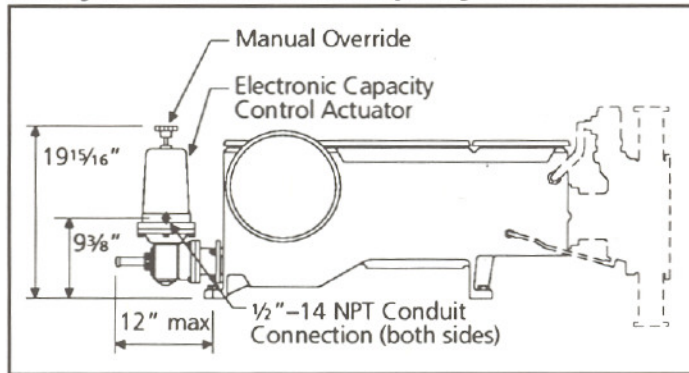
mRoy A & P with Electronic Capacity Control



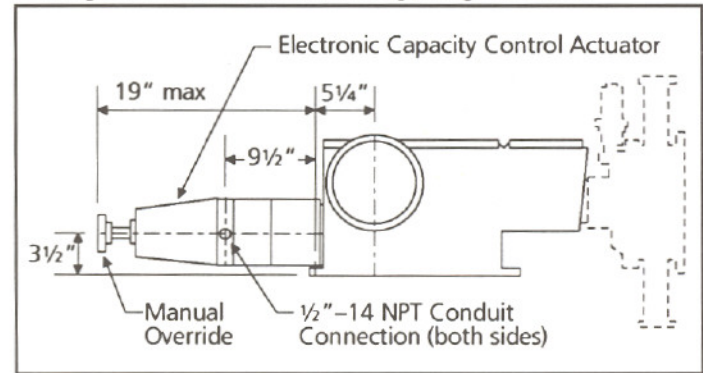
mRoy B with Electronic Capacity Control



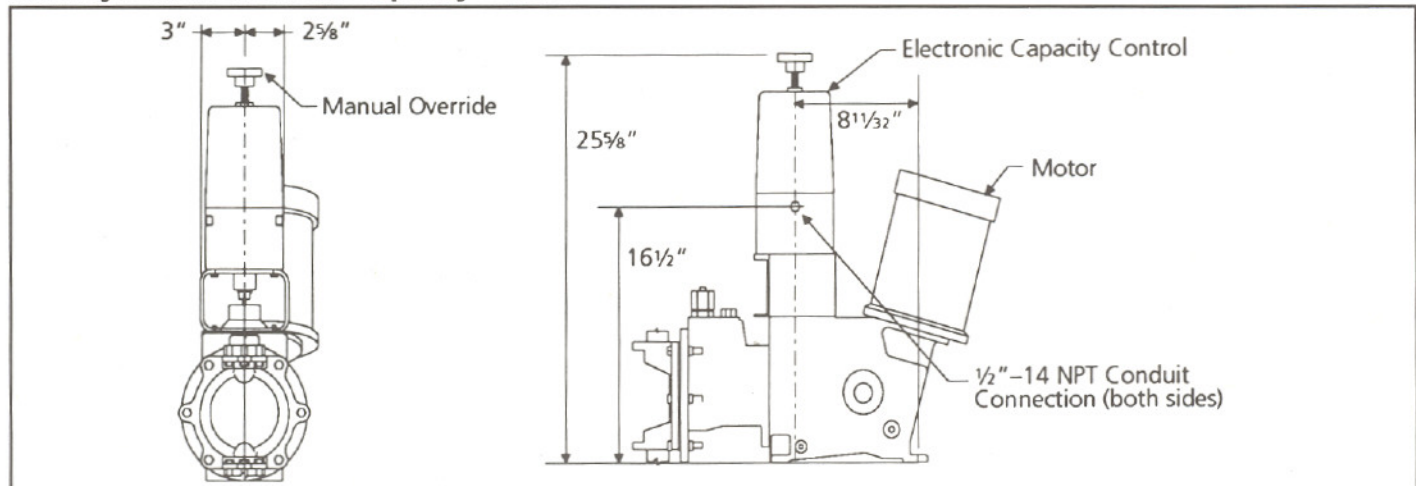
Milroyal C with Electronic Capacity Control



Milroyal B with Electronic Capacity Control



maxRoy B with Electronic Capacity Control





REMOTE CONTROLS FOR MILTON ROY PUMP ELECTRONIC CAPACITY CONTROLS

ARPM-100 (PANEL MOUNT) ARPM-200



SPECIFICATIONS

Power

-100 115 VAC, 60 hz, 1.0 amp max.

-200 230 VAC, 60 Hz, .5 amp max. (optional)

Remote Signal Input

Analog (4–20 mA) or Split Range (4–12 mA, 12–20 mA)

Direct or Reverse Acting

1-5 VDC

Actuator Feedback Signal Input

Analog (1–5 V) or Split Range (1–3 V, 3–5 V)

Direct or Reverse Acting

Control Signal Outputs

Analog (4–20 mA) or Split Range (4–12 mA, 12–20 mA)

Direct or Reverse Acting

Ambient Temperature

–40°F to 120°F

Enclosure

ARPM has metal NEMA 1 enclosure for panel mounting;
ARWM has fiberglass reinforced polyester NEMA 4X enclosure
for wall mounting

REMOTE CONTROL FEATURES

- Use as a remote actuator control and position display station.
- Local /Remoteswitch selects source of signal sent to actuator.
- Meter continuously shows current actuator position (0% to 100%).
- Pushbutton allows display of signal being sent to actuator.
- Can be field selected to work with split-range and reverse acting applications such as pH control.
- Used for "hand-auto" control of ECC.

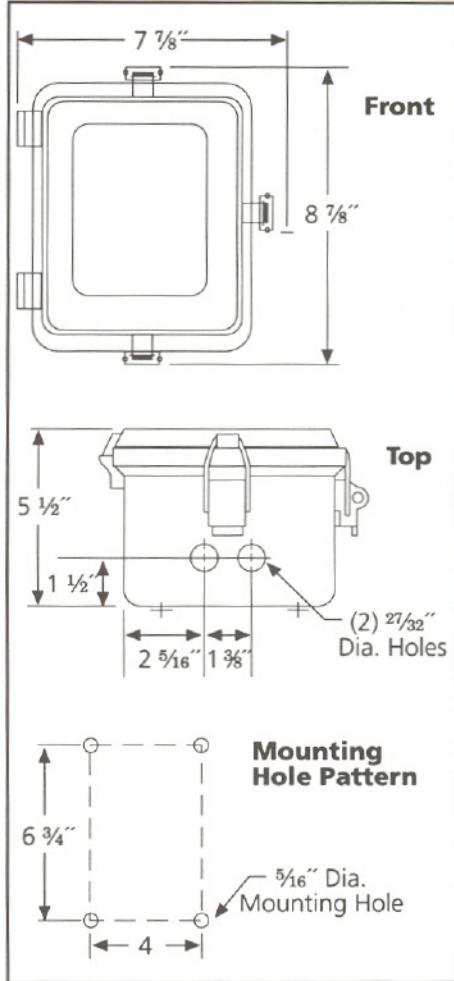
ARWM-100 (WALL MOUNT) NEMA 4X ARWM-200



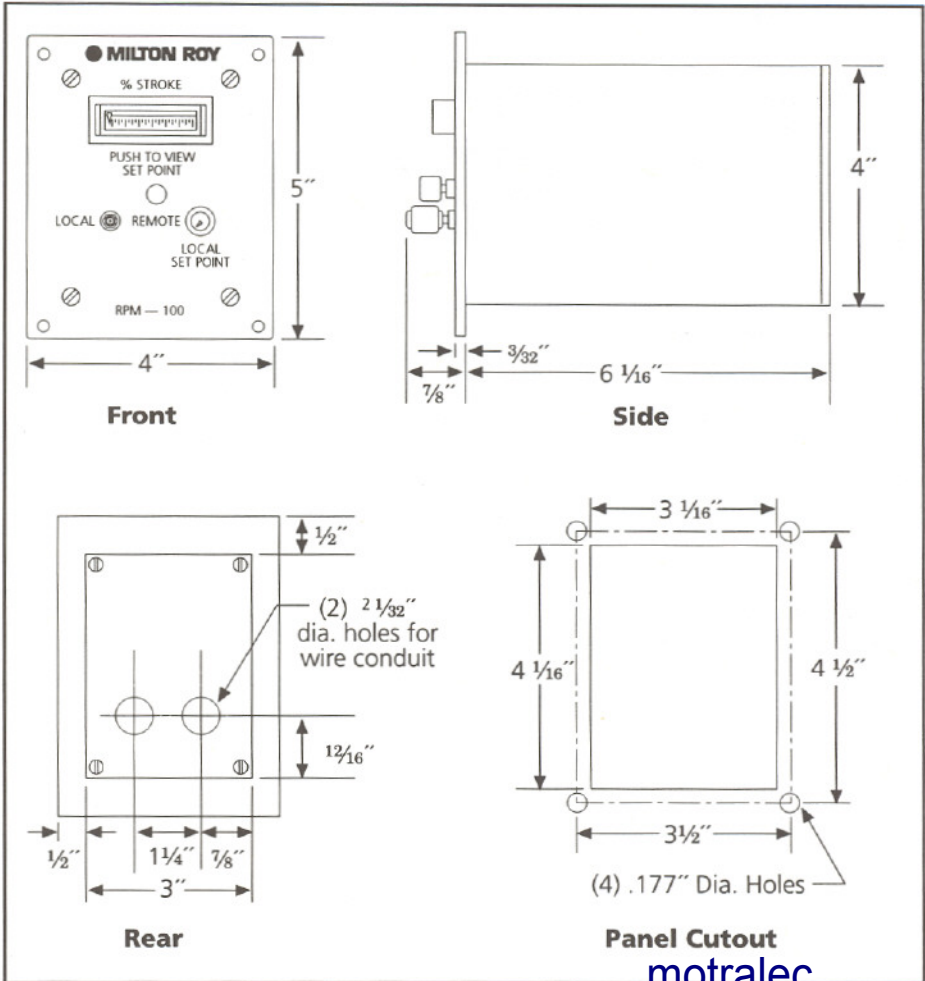


DIMENSIONS

RWM-100 (Wall Mount) NEMA 4X



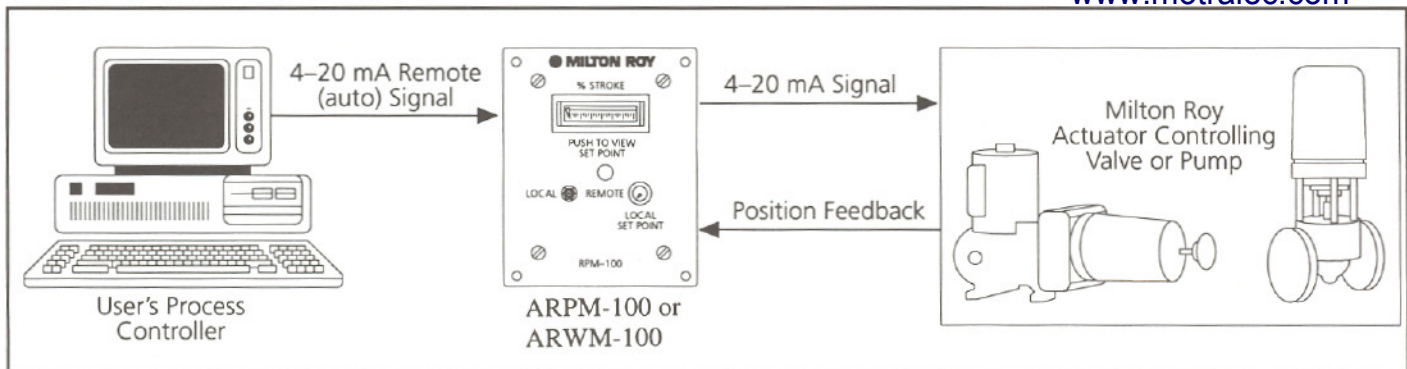
ARPM-100 (Panel Mount) NEMA 1



motralec

4 rue Lavoisier . ZA Lavoisier . 95223 HERBLAY CEDEX
Tel. : 01.39.97.65.10 / Fax. : 01.39.97.68.48
Demande de prix / e-mail : service-commercial@motralec.com
www.motralec.com

TYPICAL INSTALLATION



All information contained herein subject to change without notice.



ECC