

Magnatex® 3575 Series

Mechanical Seal ANSI Process Pumps



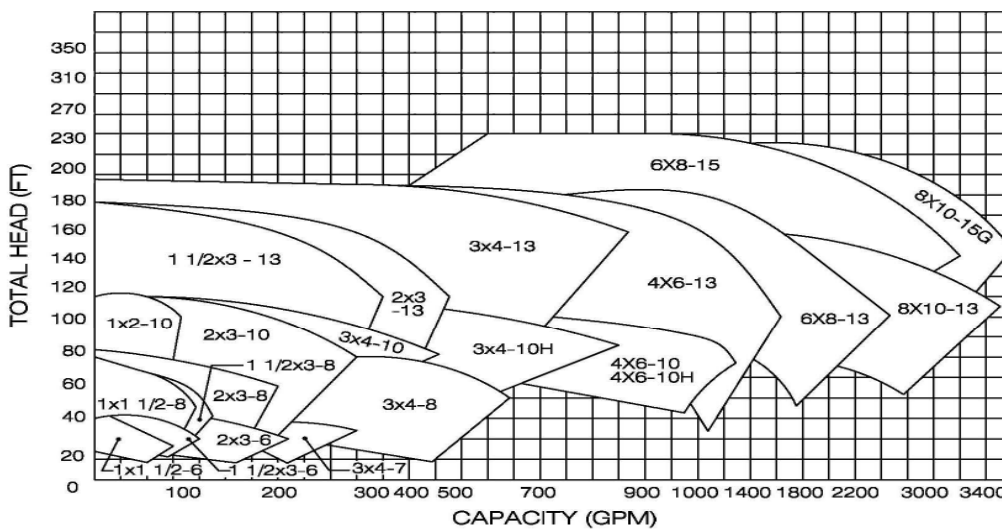
Magnatex® 3575 Series Pumps

Heavy duty, rugged, world class quality, ANSI process pumps manufactured to meet the latest ASME B73.1-2001 standard (revision of ASME B73.1M-1991). Pumps are manufactured in 29 sizes, a wide variety of materials, seal options and seal flush systems to handle almost all applications in the process industries. All Magnatex® pumps and spare parts come with a 5 year warranty on materials and workmanship.

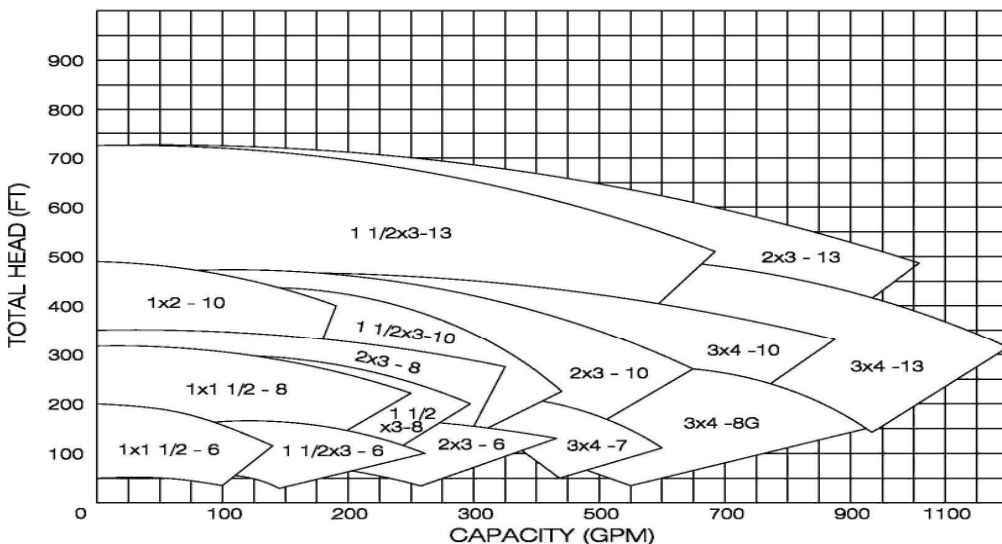
Spare Parts for Magnatex®, Goulds®, Durco® and Peerless® ANSI Pumps

Magnatex is a premier alternative, generic part supplier for all of your Goulds 3196, Durco Mark II and III, or Peerless 8196 spare parts requirements. Magnatex 3575 spare parts are 100% interchangeable with Goulds 3196 parts, 100% guaranteed. We can also take care of your Durco ANSI pump parts requirements. We guarantee that our parts will meet the original manufacturers' performance standards. Our parts department is ready to help you with your requirements 24/7. Call us today at 713-972-8666 or 1-866-624-7867.

COMPOSITE PERFORMANCE CURVES AT 1750 RPM



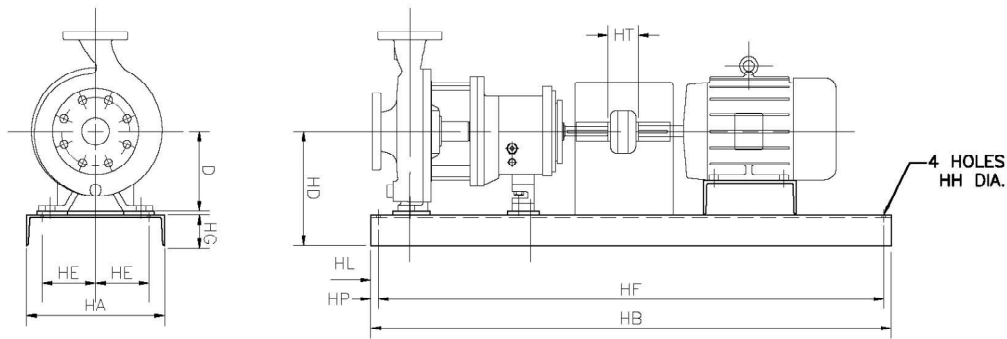
COMPOSITE PERFORMANCE CURVES AT 3550 RPM



3575 Series Specifications

Maximum Flow..... 5000 GPM
 Maximum Head..... 720 FT
 Liquid Temp..... up to +700°F
 Max HP..... up to 300 HP
 Materials of Construction:
 Ductile Iron, Steel, 316SS
 CD4MCu, Alloy 20, Alloy B & C,
 Ni-Hard, Titanium
 Flanges..... 150 LB or 300 LB
 Max Shaft Deflection.. 0.002 Inches
 Bearing Life..... 50,000 Hours

motralec



3575 SERIES BASEPLATE DIMENSIONS

NEMA Frame	Baseplate No.	HA	HB	HT	HD				HE	HF	HG	HH	HL	HP
					D=5.25	D=8.25	D=10	D=14.5						
184T	139	15	39	3.5	9	4.5	36.5	3.75	0.75	4.5	1.25
256T	148	18	48	3.5	10.5	6	45.5	4.13	0.75	4.5	1.25
326TS	153	21	53	3.5	12.88	7.5	50.5	4.75	0.75	4.5	1.25
184T	245	15	45	3.5	...	12	13.75	...	4.5	42.5	3.75	0.75	4.5	1.25
215T	252	18	52	3.5	...	12.38	14.13	...	6	49.5	4.13	0.75	4.5	1.25
286T	258	21	58	3.5	...	13	14.75	...	7.5	55.5	4.75	1	4.5	1.25
365T	264	21	64	3.5	...	13.88	14.75	...	7.5	61.5	4.75	1	4.5	1.25
405TS	268	26	68	3.5	...	14.88	14.88	...	9.5	65.5	4.75	1	4.5	1.25
449TS	280	26	80	3.5	...	15.88	15.88	...	9.5	77.5	4.75	1	4.5	1.25
286T	368	26	68	5	19.25	9.5	65.5	4.75	1	6.5	1.25
405T	380	26	80	5	19.25	9.5	77.5	4.75	1	6.5	1.25
449T	398	26	98	5	19.25	9.5	95.5	4.75	1	6.5	1.25

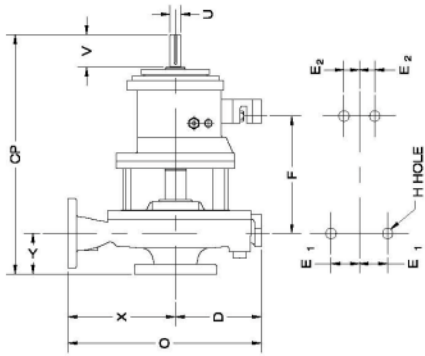
ALL DIMENSIONS IN INCHES ± 0.12"

NOT FOR CONSTRUCTION UNLESS OTHERWISE NOTED.

SUCTION AND DISCHARGE FLANGES ARE 150# FF ANSI RATED UNLESS OTHERWISE NOTED.

MAX ALLOWABLE HORSEPOWER

POWER LIMITS	RPMs		
	1200	1800	3600
S	13.2	19.8	39.6
M	40.8	61.2	122.4
L	67.2	100.8	201.6
XL	168	252	-



motralec

4 rue Lavoisier, ZA Lavoisier, 95223 HERBLAY CEDEX

Tel. : 01.39.97.65.10 / Fax. : 01.39.97.68.48

Demande de prix / E-mail : service-commercial@motralec.com

www.motralec.com

3575 SERIES MODEL	BORE	dd SUCT.	dd DISCH.	DIMENSIONS													WEIGHT APPROX lbs
				X	Y	CP	O	D	F	2E1	2E2	U	V	H			
AA6	1.5	1	4	6.5	17.5	11.75	5.25	7.25	6	0	875	2.13	825	84			
AB6	3	1.5	4	6.5	17.5	11.75	5.25	7.25	6	0	875	2.13	825	92			
AA8	1.5	1	4	6.5	17.5	11.75	5.25	7.25	6	0	875	2.13	825	100			
A70-7	4	3	4	11	23.5	19.25	8.25	12.5	9.75	7.25	1.13	2.63	825	220			
A80-8	4	3	4	11	23.5	19.25	8.25	12.5	9.75	7.25	1.13	2.63	825	200			
A70-9G	4	3	4	11	23.5	19.25	8.25	12.5	9.75	7.25	1.13	2.63	825	200			
A05-10	2	1	4	8.5	23.5	16.75	8.25	12.5	9.75	7.25	1.13	1.88	825	200			
A50-10	3	1.5	4	8.5	23.5	16.75	8.25	12.5	9.75	7.25	1.13	1.88	825	220			
A60-10	3	2	4	9.5	23.5	17.75	8.25	12.5	9.75	7.25	1.13	1.88	825	230			
A70-10	4	3	4	11	23.5	19.25	8.25	12.5	9.75	7.25	1.13	1.88	825	265			
A40-10H	4	3	4	12.5	23.5	22.5	10	12.5	9.75	7.25	1.13	1.88	825	305			
A80-10	6	4	4	13.5	23.5	23.5	10	12.5	9.75	7.25	1.13	1.88	825	305			
A80-10H	6	4	4	13.5	23.5	23.5	10	12.5	9.75	7.25	1.13	1.88	825	305			
A20-13	3	1.5	4	10.5	23.5	20.5	10	12.5	9.75	7.25	1.13	1.88	825	245			
A30-13	3	2	4	11.5	23.5	21.5	10	12.5	9.75	7.25	1.13	1.88	825	275			
A40-13	4	3	4	12.5	23.5	22.5	10	12.5	9.75	7.25	1.13	1.88	825	330			
A80-13	6	4	4	13.5	23.5	23.5	10	12.5	9.75	7.25	1.13	1.88	825	405			
A90-13	8	6	6	16	33.9	30.5	14.5	18.75	16	9.0	2.38	4	875	560			
A100-13	10	8	6	18	33.9	32.5	14.5	18.75	16	9.0	2.38	4	875	670			
A110-15	8	6	6	18	33.9	32.5	14.5	18.75	16	9.0	2.38	4	875	610			
A120-15	10	8	6	19	33.9	33.5	14.5	18.75	16	9.0	2.38	4	875	740			
A120-15G	10	8	6	19	33.9	33.5	14.5	18.75	16	9.0	2.38	4	875	322			

ALL DIMENSIONS IN INCHES ± 0.12" NOT FOR CONSTRUCTION UNLESS OTHERWISE NOTED.

S

M & L

XL