

Gas Meters
Residential

Landis
Gyr+
manage energy better

Domestic Gas Payment Meter

Libra 210 E6V+

Technical data



The Landis+Gyr E6V+ is designed for domestic gas metering where an internal gas shut off valve and communication port is required.

Date:13/11/08

Libra 210 – Technical Specification

Libra 210 Technical Specifications

The meter accommodates add-on modules to provide such functionality as prepayment, communication functions and the meter viewing index.

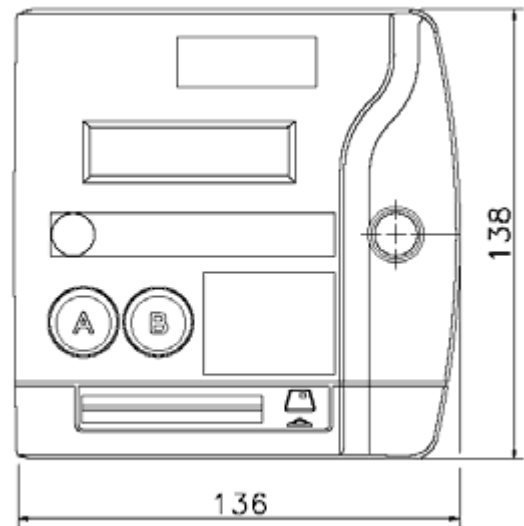
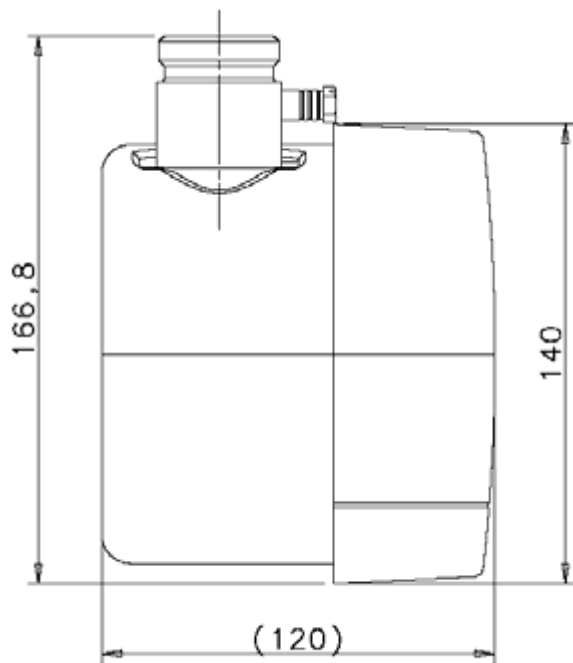
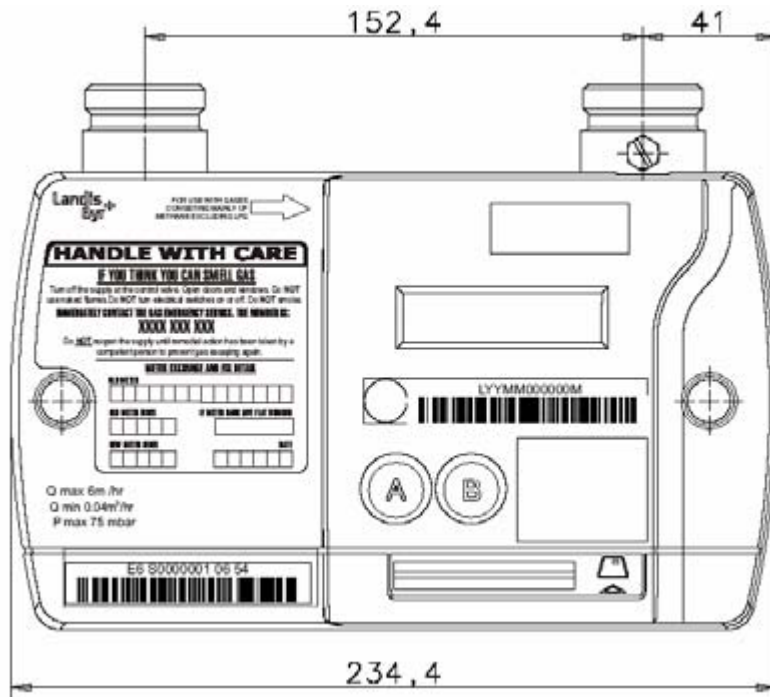
The Landis+Gyr E6V+ meter is based upon the proven E6V meter and provides a stable and accurate meter.

The Libra 210 module provides Quantum system prepayment functionality. When fitted to a meter the module will account for gas consumption on a block tariff, recover debt and provide controlled emergency credit. The Libra 210 is fully compatible with the established UK Quantum system infrastructure.

Technical Data

Applicable Metering Standards	BS EN 1359:1999, ENV14236	Display	2 line by 16 character dot matrix with backlight
Maximum Operating Temperature	75mbar	Battery Type	Lithium thionyl chloride 3.6V 'D' cell
Maximum Flow Rate (Qmax)	6.00m ³ / Hr	Battery Life	>10 years normal operation
Minimum Flow Rate (Qmin)	0.04m ³ / Hr	Shock and Vibration (transit)	BS EN 1359:1999
Pressure Drop (max)	<2mB	Operating Temperature	-10°C to 40 °C
Accuracy	Better than 2% (0.04m ³ - 6 m ³ / Hr)	Water Resistance	IP 55
Gas Type	Natural Gas (consisting mainly of Methane) not LPG	Humidity	95% non condensing
Case Construction	Deep drawn coated steel	ESD	BS EN 6100-4-2:1995 Level 3
Gas Connections	1" BSP to BS746	RF Susceptibility	IEC 1000-4-3:1995 level 3
Measurement Technology	Ultrasonic time of flight	RF Emissions	BS EN 55022:1998
Shut off Valve	Internal electrically operated	Metrology Approvals	OFGEM
		Weight	2.7Kg

Dimensions





motralec

4 rue Lavoisier . ZA Lavoisier . 95223 HERBLAY CEDEX
Tel. : 01.39.97.65.10 / Fax. : 01.39.97.68.48
Demande de prix / e-mail : service-commercial@motralec.com
www.motralec.com