

HYUNDAI PUMP

Horizontal Double Suction
Volute Pumps

MODEL HD



motralec

4 rue Lavoisier . ZA Lavoisier . 95223 HERBLAY CEDEX
Tel. : 01.39.97.65.10 / Fax. : 01.39.97.68.48
Demande de prix / e-mail : service-commercial@motralec.com
www.motralec.com





▲ District heating water supply pumps for Bun-Dang, Korea
(Model 600 × 400HDM)

Advantages of HYUNDAI Horizontal Double Suction Pump

- Split case design permits easy disassembly, that is, inspection is simplified, it is not necessary to disturb pump alignment and suction & discharge piping when parts replacement is necessary.
- Double suction with advanced design of suction performance ensures high suction heads even with large capacities. Compared with conventional double suction design with the possibility of using a high speed motor, such system and related facilities can be installed in a small area.
- Higher operating efficiency over a wider range of capacities, lower operation cost and smaller motor output are all possible.
- Pump operation with lower noise & smaller pressure pulsation ensures comfortable environment.
- Variable combinations of materials permit wide application.

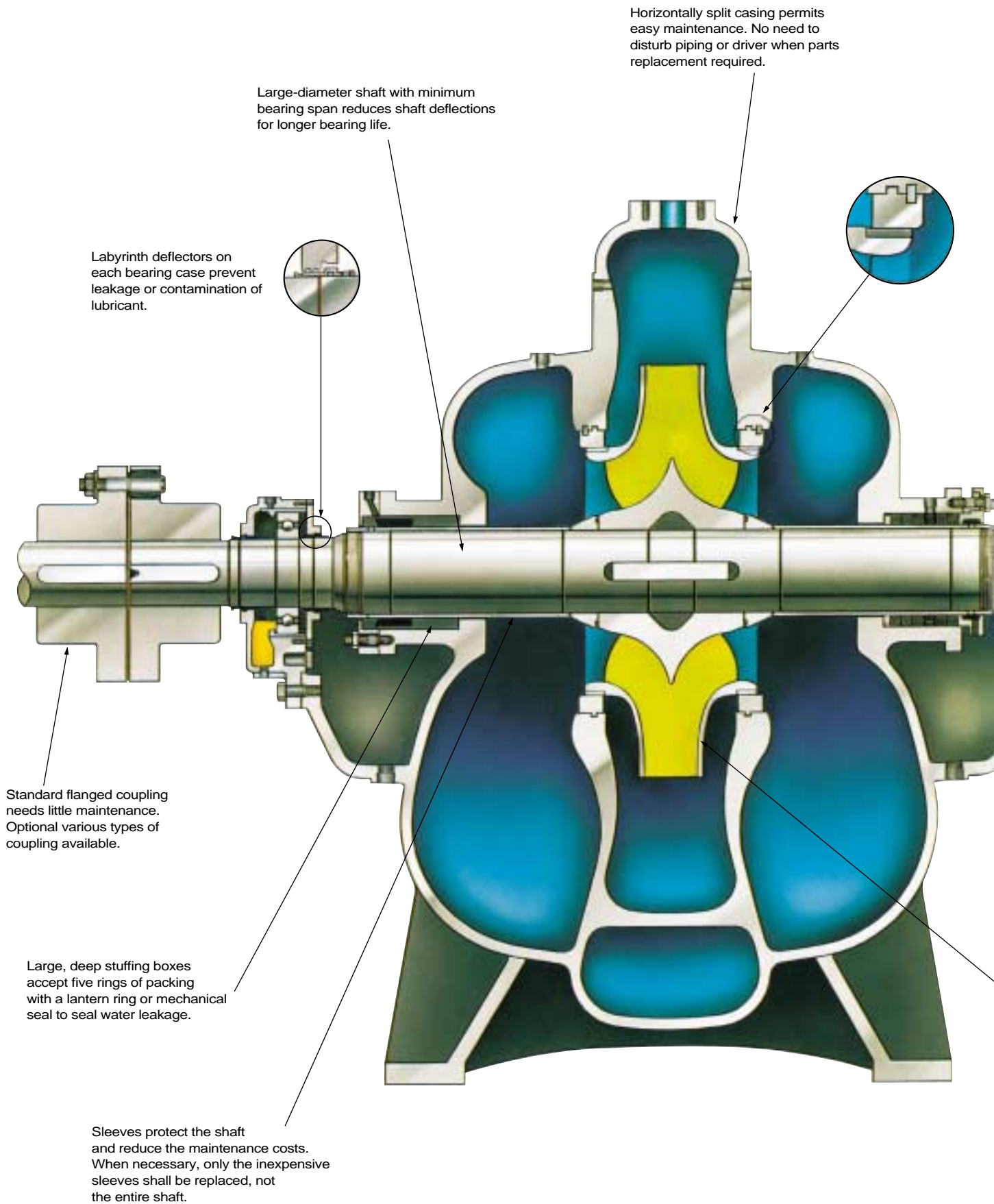
Applications

- **BUILDING :**
Water supply
Drainage
Water circulation
Fire fighting
District heating
- **IRRIGATION :**
Water supply
Drainage
- **WATERWORKS :**
Water intake
Booster
Water supply
- **INDUSTRIAL :**
Water intake
Circulation
Chemical (Hydrocarbon liquid, etc.)

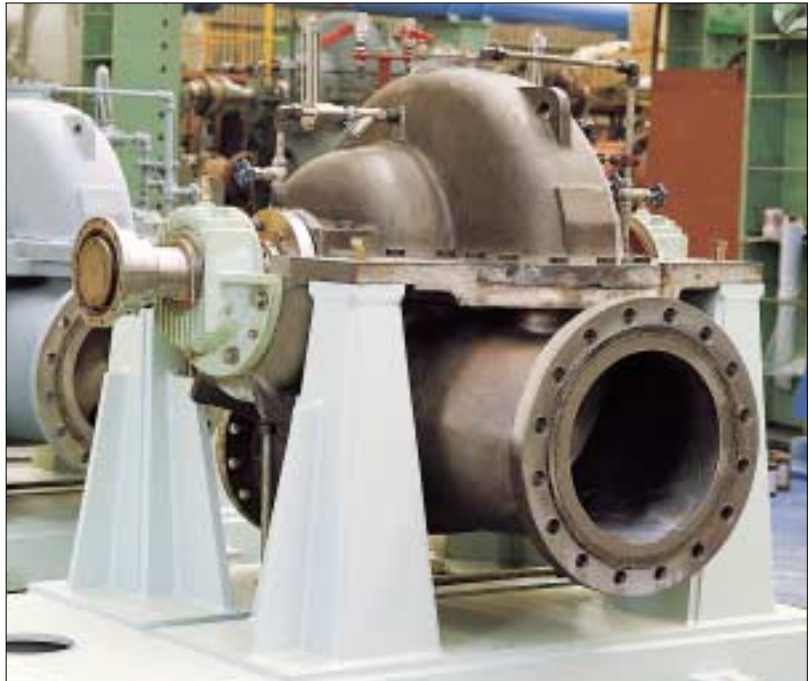


Cooling water pump of Hyundai Petrochemical Co., Ltd., Korea
(Model 1050 × 750HDM, HDGT)

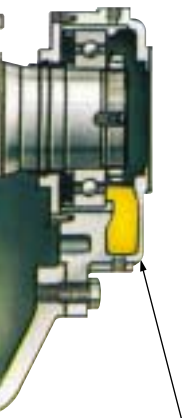
Construction



Standard renewable casing and impeller wear rings reduce maintenance and operating costs by protecting the casing and impeller from wear.



Center line mounted pump for hot water supply service for KEMCO, Korea (Model 400 × 300HDM)



Standard oil bath-lubricated bearing case assures complete oil penetration into the bearings without foaming. Optional bearing arrangements and lubrication systems available.

Three-dimensionally designed blades for high efficiency are used. This hydraulically balanced, double suction impeller reduces NPSH requirements, and provides smooth operation.



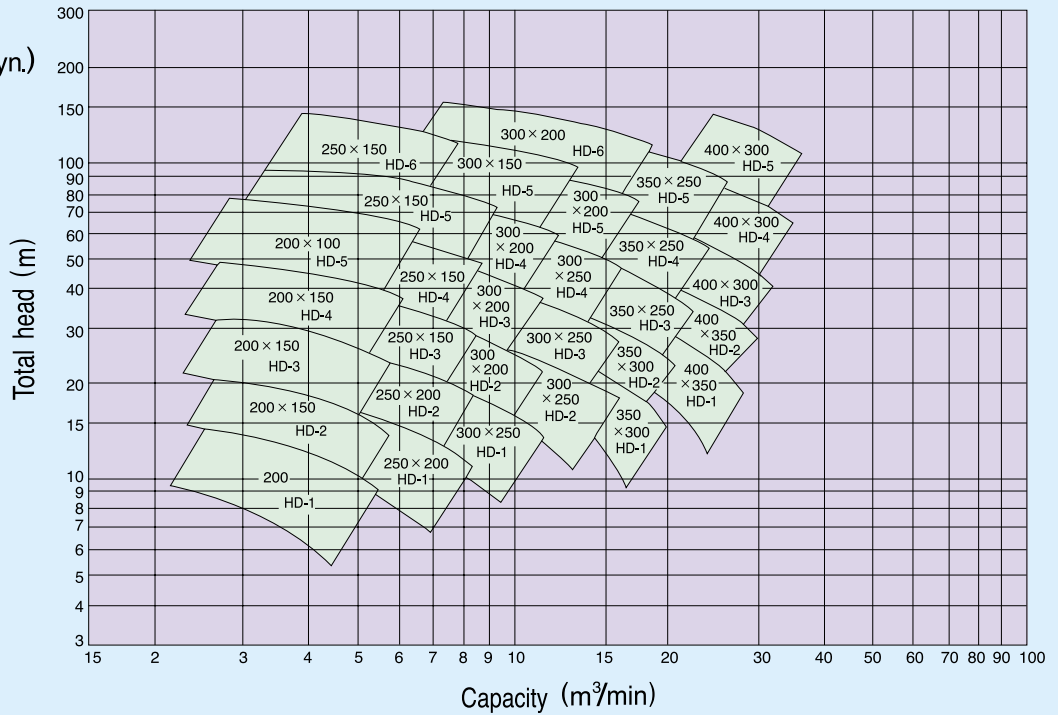
Feedwater booster pump for Yonggwang Nuclear Power Plant, unit 3 & 4, Korea (Model 600 × 400HDM)

Selection Chart

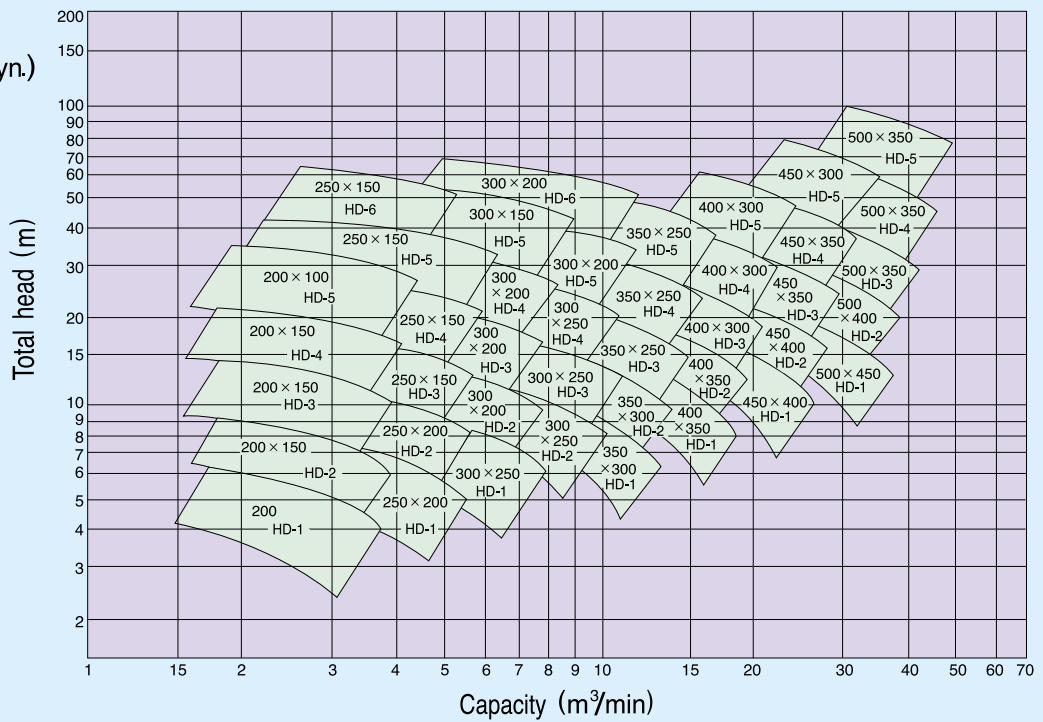
(BORE 200~500mm)

50Hz

High speed
(4p. 1500 min⁻¹, syn.)



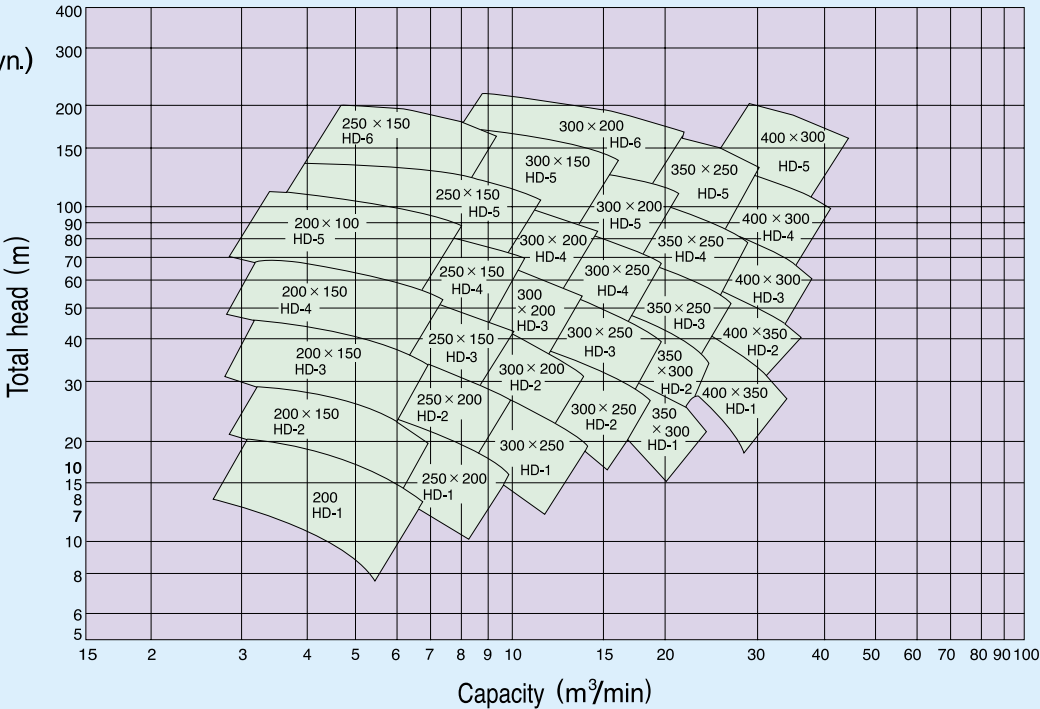
Low speed
(6p. 1000 min⁻¹, syn.)



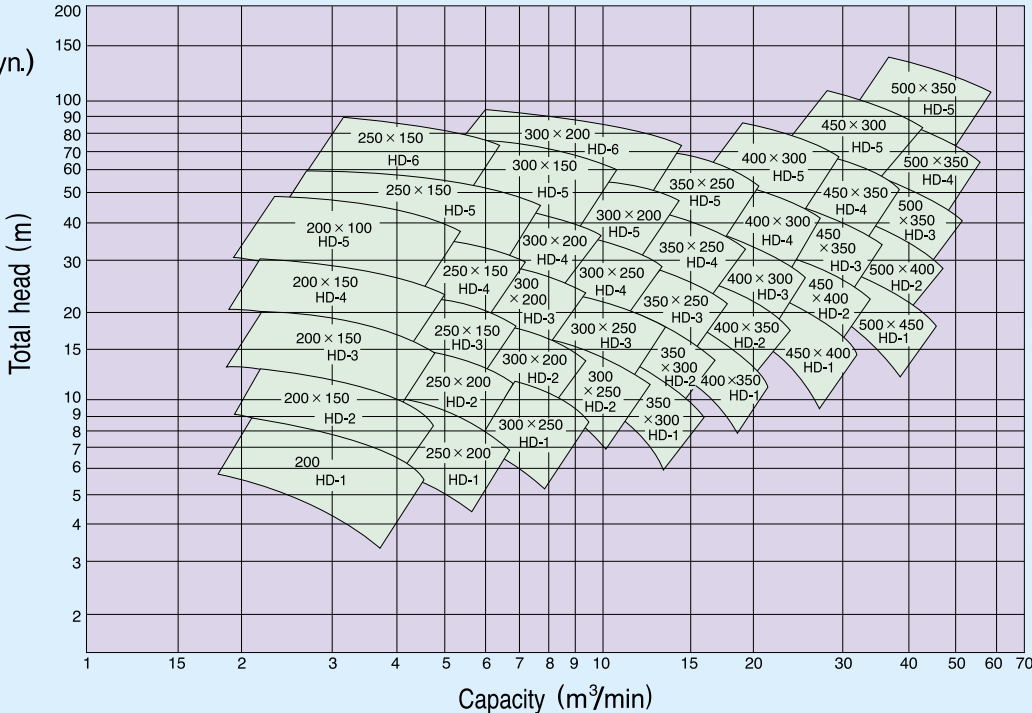
SYMBOLS :
250 × 200 HD-1



High speed
(4p. 1800 min⁻¹; syn.)



Low speed
(6p. 1200 min⁻¹; syn.)



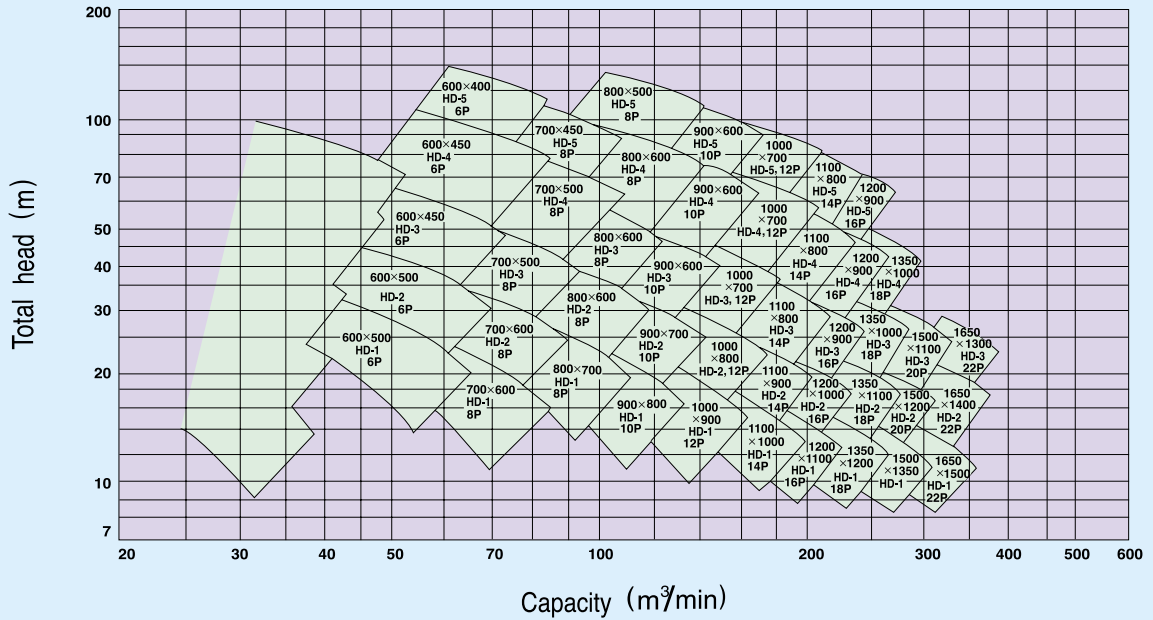
— MODEL
— Discharge Bore (mm)
— Suction Bore (mm)

Selection Chart

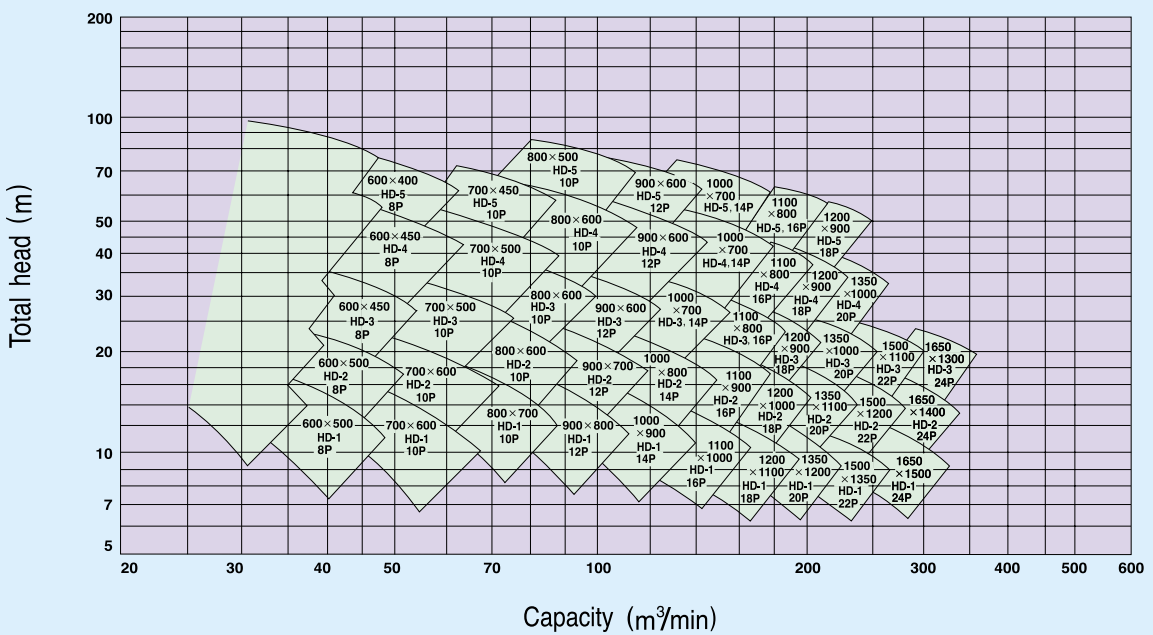
(BORE 600mm ~)

50Hz

High speed



Low speed



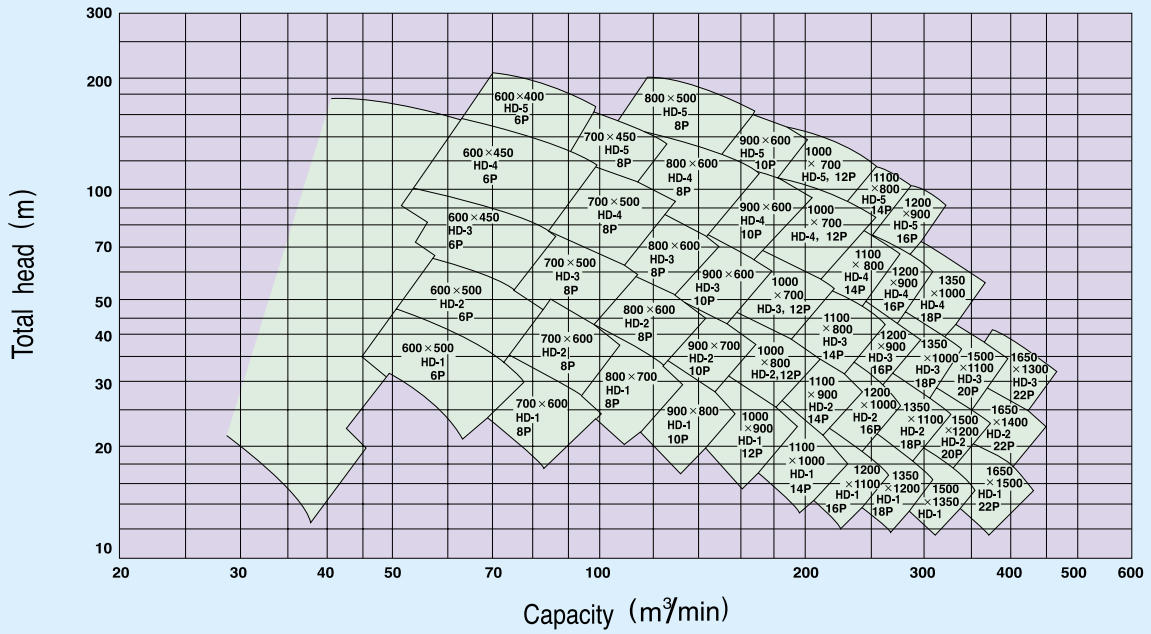
Pump Speed (50Hz)

Motor Pole	6P	8P	10P	12P	14P	16P	18P	20P	22P	24P
Speed(min ⁻¹)	990	740	593	495	423	370	325	295	265	245

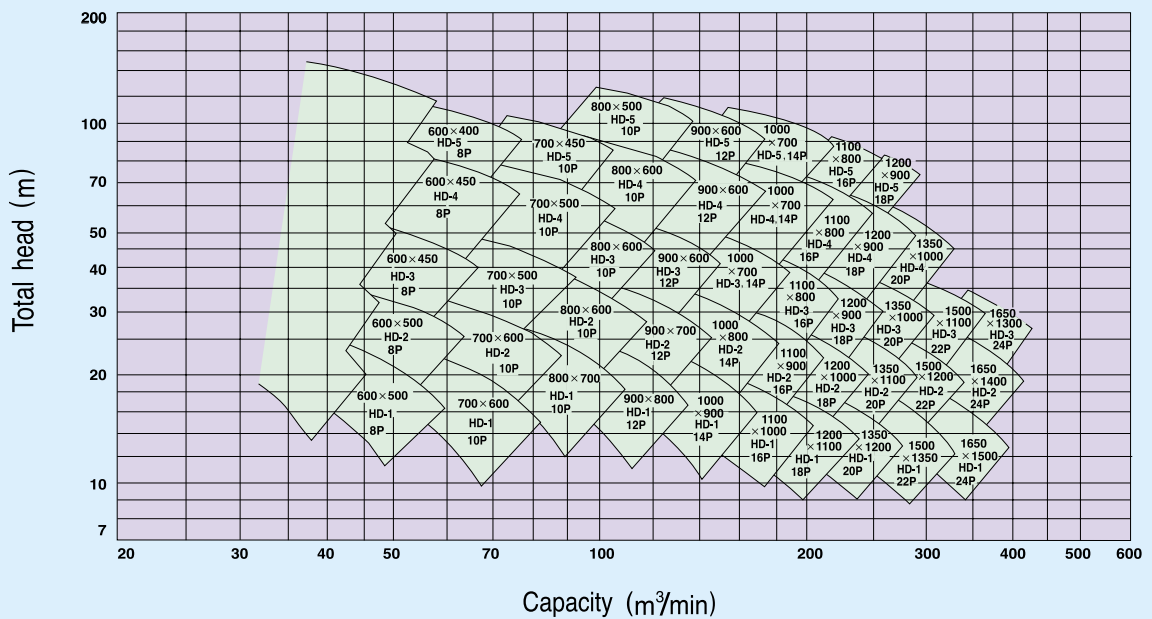
SYMBOLS :
600×400 HD-5



High speed



Low speed

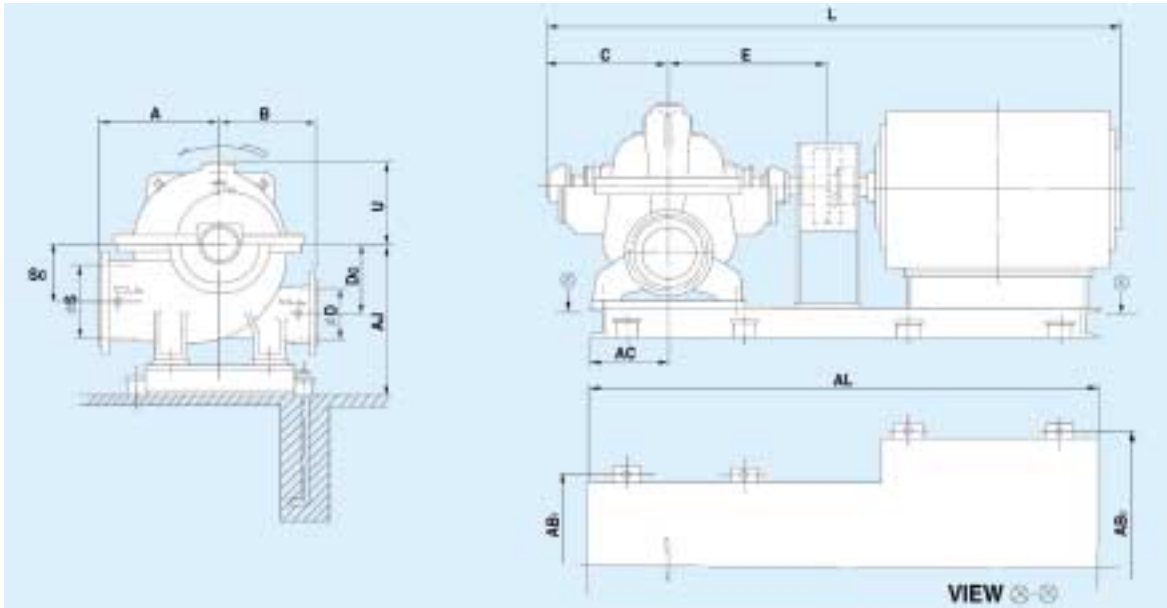


Pump Speed (60Hz)

Motor Pole	6P	8P	10P	12P	14P	16P	18P	20P	22P	24P
Speed(min ⁻¹)	1190	890	710	593	507	445	393	355	323	295

MODEL	
Discharge Bore (mm)	
Suction Bore (mm)	

Outline Dimensions



MODEL	S	D	A	B	C	E	U	Sc	Dc	L	AJ	AC	AL	AB ₁	AB ₂
200 × 200HD-1	200	200	350	280	378	475	221	190	190	2239	475	250	1320	490	490
200 × 150HD-2	200	150	350	280	378	475	222	190	190	2239	475	250	1320	490	490
200 × 150HD-3	200	150	350	280	378	475	242	200	210	2239	475	250	1420	490	550
200 × 150HD-4	200	150	370	290	398	505	265	200	230	2289	475	250	1600	490	690
200 × 100HD-5	200	100	400	330	443	560	306	200	270	2389	575	260	1880	560	690
250 × 200HD-1	250	200	390	310	378	475	242	210	210	2239	540	275	1360	550	550
250 × 200HD-2	250	200	390	310	398	505	246	210	210	2289	540	275	1460	550	550
250 × 150HD-3	250	150	390	310	398	505	273	220	240	2289	540	275	1680	550	550
250 × 150HD-4	250	150	410	320	443	560	297	220	260	2389	575	260	1880	560	690
250 × 150HD-5	250	150	460	350	471	600	341	220	300	2528	650	295	2120	640	760
300 × 250HD-1	300	250	440	350	408	515	269	235	235	2320	585	310	1540	640	640
300 × 250HD-2	300	250	490	400	448	565	302	250	260	2410	585	310	1540	640	640
300 × 200HD-2	300	200	440	350	443	560	276	235	235	2399	585	310	1680	640	640
300 × 250HD-3	300	250	490	400	471	600	310	250	260	2458	625	295	1950	640	640
300 × 200HD-3	300	200	440	350	448	565	298	250	270	2399	625	295	1900	640	640
300 × 250HD-4	300	250	490	400	471	600	335	275	295	2656	675	295	2120	920	1220
300 × 200HD-4	300	200	460	360	471	600	329	250	290	2528	650	295	2120	920	1220
300 × 200HD-5	300	200	520	410	488	630	375	275	320	3082	675	295	2630	1120	1420
300 × 150HD-5	300	150	510	400	488	630	381	250	335	2972	675	295	2520	1120	1420
350 × 300HD-1	340	300	550	420	548	710	375	290	320	2428	750	365	2000	720	-
350 × 300HD-2	340	300	550	420	552	730	375	290	310	2593	730	365	2400	720	-
350 × 250HD-3	340	250	550	450	558	750	390	280	330	2751	730	365	2500	720	1020
350 × 250HD-4	340	250	650	470	563	750	440	280	375	2923	785	365	2700	820	1120
350 × 250HD-5	340	250	650	500	563	750	490	380	450	3158	860	365	2900	820	1120
400 × 350HD-1	400	340	620	470	602	775	415	325	360	2688	820	415	2500	820	-
400 × 350HD-2	400	340	620	470	608	800	420	325	360	2851	800	415	2700	820	-
400 × 300HD-3	400	300	620	510	613	800	435	315	380	3023	800	415	2800	820	1120
400 × 300HD-4	400	300	730	530	637	850	485	315	440	3362	800	415	3100	920	1120
400 × 300HD-5	400	300	730	560	637	850	545	430	505	3607	945	415	3300	920	1220
450 × 400HD-1	450	400	690	550	632	800	460	365	390	2602	915	445	2200	920	-
450 × 400HD-2	450	400	690	550	638	825	460	365	390	2774	915	445	2600	920	-
450 × 350HD-3	450	340	690	550	643	825	485	355	415	2911	915	445	2700	920	-
450 × 350HD-4	450	340	800	600	650	850	545	355	475	3310	1000	445	3000	1020	-
450 × 300HD-5	450	300	820	630	650	850	610	480	570	3380	1100	445	3100	1020	1320
500 × 450HD-1	500	450	750	600	683	875	510	410	440	2869	1000	475	2700	1020	-
500 × 400HD-2	500	400	750	600	688	875	515	410	450	3006	1000	475	2800	1020	-
500 × 350HD-3	500	340	750	600	695	900	535	395	470	3405	1000	475	3100	1020	-
500 × 350HD-4	500	340	900	640	716	925	600	395	530	3521	1050	475	3200	1120	1420
500 × 350HD-5	500	340	920	710	716	925	675	535	635	3762	1150	475	3500	1120	1420

MODEL	S	D	A	B	C	E	U	Sc	Dc	L	AJ	AL	AB ₁	AB ₂	AC
600 × 500HD-1	600	500	900	650	798	975	600	500	545	3150	1155	3000	1130	-	570
600 × 500HD-2	600	500	900	650	820	1030	605	500	530	3500	1155	3300	1130	-	570
600 × 450HD-3	600	450	900	650	821	1030	635	475	560	3700	1130	3500	1130	-	570
600 × 450HD-4	600	450	1050	750	907	1120	710	500	630	4100	1230	3850	1230	-	570
600 × 400HD-5	600	400	1050	830	924	1180	810	650	750	4600	1350	4300	1330	-	570
700 × 600HD-1	700	600	1000	750	890	1090	715	600	630	3650	1290	3400	1230	-	620
700 × 600HD-2	700	600	1000	750	916	1120	715	600	630	3900	1290	3600	1230	-	620
700 × 500HD-3	700	500	1000	750	982	1220	750	580	670	4100	1290	3800	1230	-	620
700 × 500HD-4	700	500	1200	850	1039	1280	845	600	750	4600	1380	4250	1330	-	620
700 × 450HD-5	700	450	1200	970	1045	1320	960	775	900	4850	1565	4550	1540	-	620
800 × 700HD-1	800	700	1120	850	961	1150	780	650	710	3950	1410	3750	1330	-	720
800 × 600HD-2	800	600	1120	850	1047	1280	785	650	690	4300	1410	4000	1330	-	720
800 × 600HD-3	800	600	1120	850	1044	1280	820	630	730	4650	1410	4400	1330	-	720
800 × 600HD-4	800	600	1320	920	1085	1360	925	630	825	4850	1605	4550	1540	-	720
800 × 500HD-5	800	500	1320	1050	1127	1450	1060	850	1000	5950	1735	5650	1740	-	720
900 × 800HD-1	900	800	1250	950	1122	1360	885	750	800	4450	1605	4200	1540	-	820
900 × 700HD-2	900	700	1250	950	1169	1400	890	750	775	4650	1605	4350	1540	-	820
900 × 600HD-3	900	600	1250	950	1150	1400	935	730	850	4950	1605	4650	1540	-	820
900 × 600HD-4	900	600	1500	1050	1217	1500	1050	730	950	6050	1735	5800	1740	-	820
900 × 500HD-5	900	600	1500	1200	1245	1550	1200	975	1150	6250	1935	5900	1940	2340	820
1000 × 900HD-1	1000	900	1450	1100	1269	1500	1000	850	925	4800	1785	4500	1740	-	870
1000 × 800HD-2	1000	800	1450	1100	1280	1550	1010	850	900	5150	1785	4800	1740	-	870
1000 × 700HD-3	1000	700	1450	1100	1267	1550	1060	825	950	5200	1785	4850	1740	-	870
1000 × 700HD-4	1000	700	1700	1150	1335	1650	1190	825	1090	6300	1885	6000	1940	-	870
1000 × 700HD-5	1000	700	1700	1350	1380	1750	1360	1120	1280	6600	2085	6200	2140	-	870
1100 × 1000HD-1	1100	1000	1550	1200	1395	1640	1150	900	980		1960				1150
1100 × 900HD-2	1100	900	1550	1200	1400	1700	1160	900	950		1960				1150
1100 × 800HD-3	1100	800	1550	1200	1390	1700	1170	875	1000		1960				1150
1100 × 800HD-4	1100	800	1850	1250	1465	1800	1300	875	1150		2050				1150
1100 × 800HD-5	1100	800	1850	1450	1515	1910	1500	1185	1350		2215				1150
1200 × 1100HD-1	1200	1100	1700	1300	1520	1875	1200	1000	1100		2150				1250
1200 × 1000HD-2	1200	1000	1700	1300	1535	1900	1200	1000	1100		2150				1250
1200 × 900HD-3	1200	900	1700	1300	1520	1900	1280	1000	1150		2150				1250
1200 × 900HD-4	1200	900	1900	1400	1600	1980	1415	1000	1300		2250				1250
1200 × 900HD-5	1200	900	1900	1500	1650	2050	1575	1350	1500		2500				1250
1350 × 1200HD-1	1350	1200	1900	1450	1800	2000	1350	1150	1200		2500				1350
1350 × 1100HD-2	1350	1100	1900	1450	1850	2090	1360	1150	1200		2500				1350
1350 × 1000HD-3	1350	1000	1900	1450	1900	2090	1430	1150	1290		2500				1350
1350 × 1000HD-4	1350	1000	2100	1550	1960	2220	1600	1150	1450		2800				1350
1500 × 1350HD-1	1500	1350	2200	1700	2050	2500	1530	1230	1320		2700				1450
1500 × 1200HD-2	1500	1200	2200	1700	2050	2500	1545	1230	1350		2700				1450
1500 × 1100HD-3	1500	1100	2200	1700	2080	2600	1600	1230	1410		2700				1450
1650 × 1500HD-1	1650	1500	2400	1950	2250	2800	1680	1350	1450		3000				1550
1650 × 1350HD-2	1650	1350	2400	1950	2270	2800	1700	1350	1485		3000				1550
1650 × 1350HD-3	1650	1350	2400	1950	2290	2950	1760	1350	1550		3000				1550

Note : 1) Dimensions are approximate only, and not to be used for construction purposes.
2) Blank () dimensions shall be specified according to the motor specification.



Engine driven fire fighting pump for Jebel Ali Desalination plant, Dubai, U.A.E. (Model 300 × 250HDE)

City water supply pumps, Dae-Gu, Korea (Bottom suction, Model 400 × 300HDM)

motralec

4 rue Lavoisier . ZA Lavoisier . 95223 HERBLAY CEDEX
Tel. : 01.39.97.65.10 / Fax. : 01.39.97.68.48
Demande de prix / e-mail : service-commercial@motralec.com

www.motralec.com