



HYDRA-TECH PUMPS

PORTABLE HYDRAULIC POWER UNIT

MODEL HT3G



This Honda powered 'Ultra-Lite' power pack is primarily designed to drive our 2" 'Mini-Sub' submersible pump. It can also provide very portable, self-contained, hydraulic power to run other hydraulic tools and equipment.

FEATURES

- Reliable Honda 4 Cycle Gas Engine
- Very Light - Weighs only 43 lbs. (19 kg)
- One-Hand Carry Chassis
- Gear-Type Hydraulic Pump
- Oil-Alert™ Safety Shutdown
- Variable Speed Control
- See-Through Oil Reservoir
- System Relief Valve
- Pressure Control Valve
- Liquid Filled Pressure Gauge
- Anti - Vibration Mounting Feet
- No-Spill, Quick Release Couplings

B0109



**HYDRA-TECH
PUMPS**

motralec

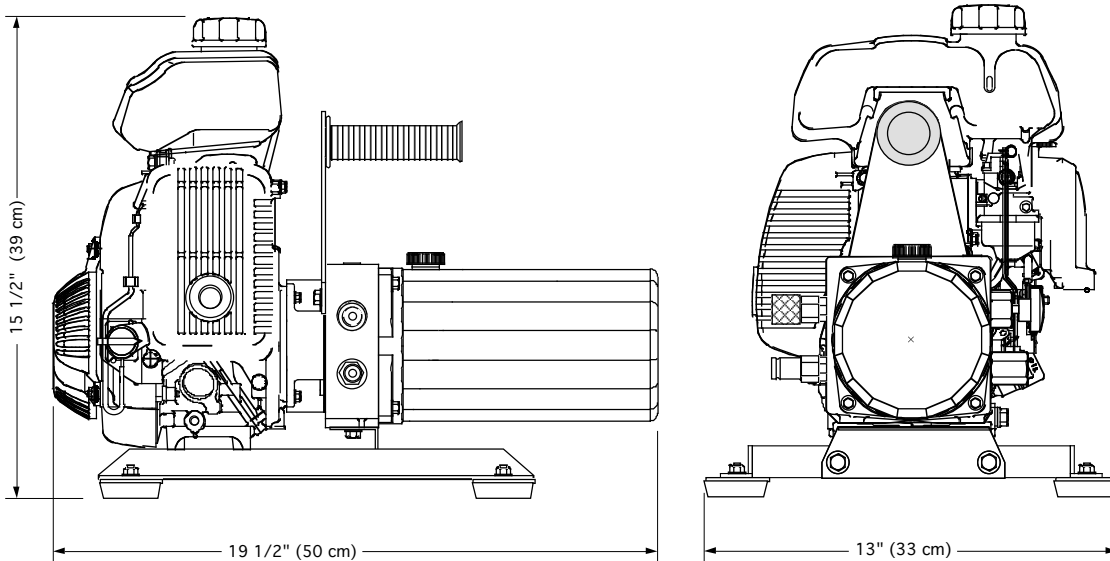
4 rue Lavoisier . ZA Lavoisier . 95223 HERBLAY CEDEX

Tel. : 01.39.97.65.10 / Fax. : 01.39.97.68.48

Demande de prix / e-mail : service-commercial@motralec.com

www.motralec.com

Model HT3G Overall Dimensions



SPECIFICATIONS

ENGINE:..... Honda GX100 Gasoline
HORSE POWER (KW):..... 3 (2.2) @ 4000 RPM
HYDRAULIC OUTPUT:..... 1.2 GPM (4.5 LPM) @ 2400 PSI (163 Bar)
HOSE PORT SIZE:..... 3/8" (#6)SAE
HYDRAULIC OIL:..... SAE 10W or 20W Type AW
also:..Dexron ATF or Biodegradable Oil
OIL RESERVOIR CAPACITY:..... 1.7 U.S. Quarts (1.6 Liters)
FUEL TANK CAPACITY:..... .81 U.S. Quarts (.77 Liters)
FUEL CONSUMPTION:..... Approx. .76 U.S. Quarts/Hr (.7 Liters/Hr)
RUNNING TIME:(1 tank of fuel@ full load)..... 1 1/4 Hours
(1 tank of fuel@ half load@ 2000 RPM).....2 1/2 Hours
DIMENSIONS:..... H 15 1/2" (39 cm) x W 13" (33 cm) x L 19 1/2" (50 cm)
WEIGHT (Dry):..... 43 lbs. (19 kg)
(With fuel and hydraulic oil):..... 48 lbs. (22 kg)

* For Flows and Pressures Other Than Standard, Consult Factory

Since we are constantly working to improve our products, specifications are subject to change without notice.