

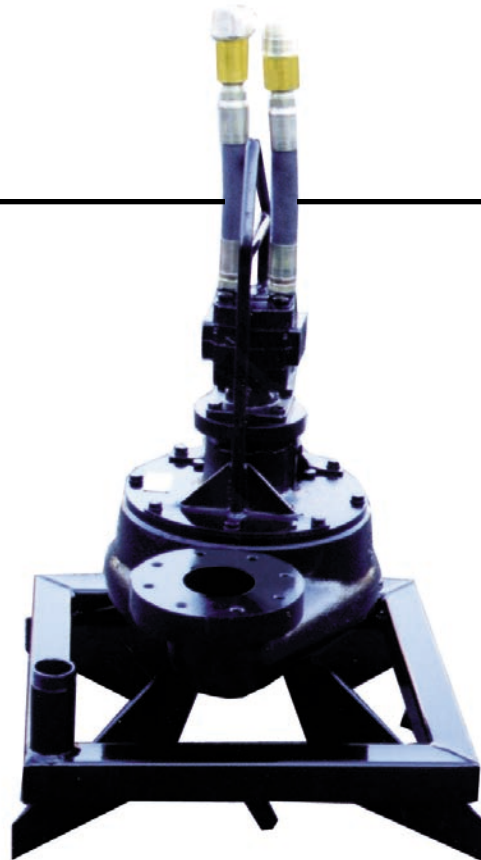


# HYDRA-TECH PUMPS

## SILT JETTING RINGS

*For 3" 4" 6" and 8" Pumps  
Attach to Pump Inlet Flange*

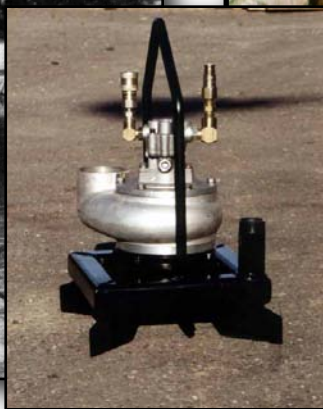
These jetting rings are used in conjunction with an external water supply to agitate solid material into suspension to allow the mixture to be pumped. These devices bolt directly to the bottom (inlet flange) of the pump in place of the strainer



S4THL Pump with Jetting Ring



S6T Pump with Jetting Ring  
in use on a creek bed  
dredging job



S3T Pump with Jetting Ring  
Used on gold mining job

External Water Supply  
Fire Hydrant or  
Separate Water Pump

Water Flow Required\*

2" and 3" Pumps: 75 - 250 GPM  
4" to 8" Pumps: 250 - 500 GPM

Water Pressure Required  
50 - 150 PSI

\* Input flow to be adjusted on-site  
to achieve optimal results

B0109



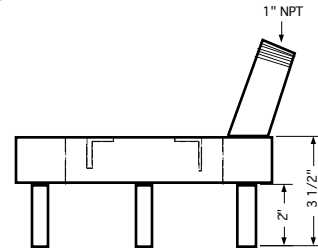
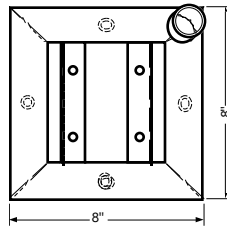
**motralec**

4 rue Lavoisier . ZA Lavoisier . 95223 HERBLAY CEDEX  
Tel. : 01.39.97.65.10 / Fax. : 01.39.97.68.48  
Demande de prix / e-mail : [service-commercial@motralec.com](mailto:service-commercial@motralec.com)  
[www.motralec.com](http://www.motralec.com)

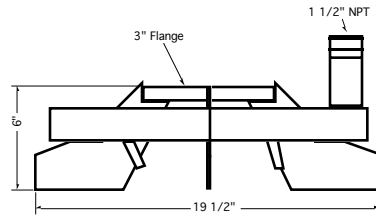
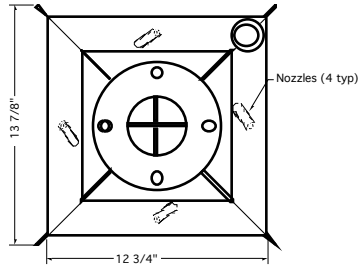
## Jetting Ring Dimensions

Specifications are subject to change without notice

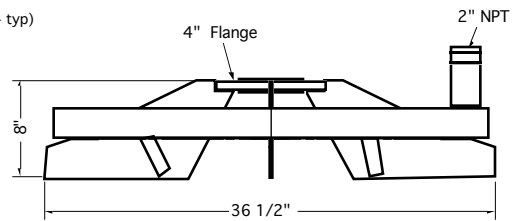
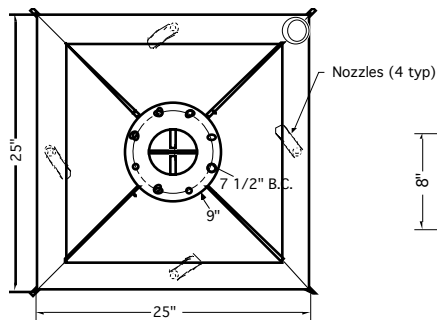
**2" Jetting Ring**  
Fits: S2T-2, S2TC-2



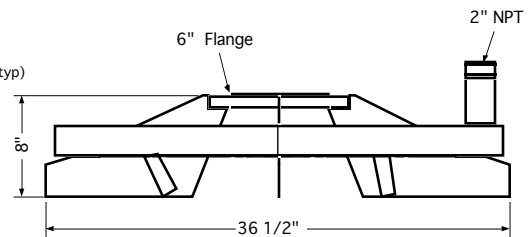
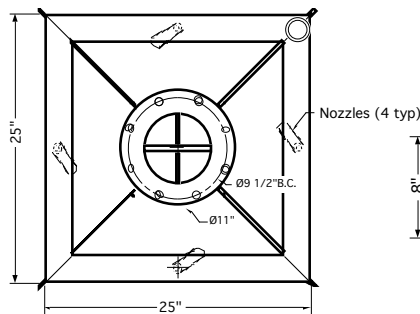
**3" Jetting Ring**  
Fits: S3T, S3TC



**4" Jetting Ring**  
Fits: S4T, S4THL, S4VHL



**6" Jetting Ring**  
Fits: S6T, S6TC, S6V



**8" Jetting Ring**  
Fits: S8T

