



motralec

4 rue Lavoisier . ZA Lavoisier . 95223 HERBLAY CEDEX
Tel. : 01.39.97.65.10 / Fax. : 01.39.97.68.48
Demande de prix / e-mail : service-commercial@motralec.com
www.motralec.com

ITT - Flojet has been an expert in special application pumps for over 30 years, emerging as a leading global supplier for the beverage industry. Emphasizing quality and design, Flojet is ISO 9001 certified. Flojet is also proud to be the first ITT company in California to achieve certification under the ISO environmental standard 14001. With a world-wide customer service network and manufacturing facilities in Asia, the United States and the United Kingdom, Flojet is committed to providing you with the finest products for your dispensing needs wherever you are.

TABLE OF CONTENTS	PAGE
Beverage Pumps - Gas (CO₂)/Air Driven	2-4
N5000 Series	2
G55 Series	3
G58 Series (Juice Concentrates/Condiments)	4
Beer Pumps - Gas (CO₂)/Air Driven	5
G56 Series	5
Water Booster Pumps & Systems - Gas (CO₂)/Air Driven ...	6
G56 Series (Water Booster Pumps)	6
K56 Series (Water Booster Systems).....	6
Beverage Pumps - Electric	7
2125 Series	7
Water Booster/Water Delivery Pumps - Electric	8-9
Duplex II Series	8
2830 Series (Triplex HP Pump)	9
Automatic Water Booster Systems	10-11
2820/2840 Series	10
Variable Speed Drive Systems	12-13
Quad Model.....	13
Duplex II Model	13
Bottled Water Dispensing System	14
Demand & Manual Single Fixture Pump	15
LF Series	15
Accessories	16-19
Fittings	20-21
Conversion Data	22

This catalog shows only the standard models of Flojet's beverage line of pumps. Other models are available. Flojet manufactures a complete line of small pumps to fit any application. Please see our price list or contact us for special requests and additional information.

BEVERAGE PUMPS - GAS (CO₂)/AIR DRIVEN

N5000 Series

APPLICATIONS

- Designed for dispensing Bag-in-Box syrups, juice concentrate (without pulp or particulates), teas, wines, draft beers and liquor.
- Supplies the following from remote location:
Four (4) 3.0 oz. (89 ml) valves¹ or
Two (2) 4.5 oz. (133 ml) valves²

¹Each valve dispenses syrup at 0.50 oz./sec.
²Each valve dispenses syrup at 0.75 oz./sec.

SPECIAL FEATURES

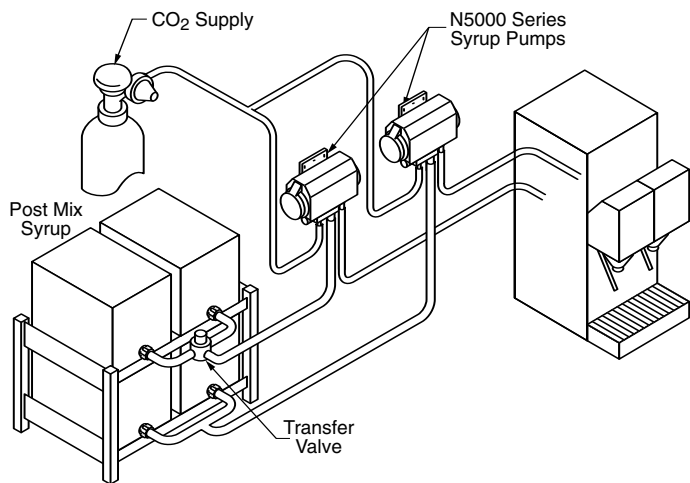
- Compact design with quick disconnect fittings for simple, quick installation.
- Shuts off automatically when bag is empty and restarts when a full bag is connected.
- High altitude auto shut-off also available.
- Fully automatic, operates only when beverage is being dispensed.
- 1/4" (6.35 mm) barbed, CO₂ exhaust port connection for venting away from confined areas.
- Maintains constant pressure at the dispensing valve.
- High suction capability empties syrup down to a minimum residual.
- Service life up to 40,000 gallons (150,000 L).
- Recyclable materials.



SPECIFICATIONS

Pump Design: Positive Displacement, Double Diaphragm
Power Source: CO ₂ Gas, Nitrogen or Compressed Filtered Air
Materials of Construction (wetted parts): Celcon M90, Santoprene®, EPDM, 302 or 304 Stainless Steel Spring
Temperature Limits: 34° - 120° F (1.1° - 49° C)
Weight: 1.19 lbs. (0.54 kg.)
Dimensions: 5.17" H x 6.18" W x 2.42" D (131.3 mm x 156.8 mm x 61.5 mm)
Displacement: 2.5 oz. per cycle
Self Priming: Up to 10 ft. (3.05 m)
Operating Pressure: 20 psi (1.4 bar) min. / 80 psi (5.5 bar) max.
Liquid Inlet Pressure: 10 psi (0.7 bar) max.
Flow Rate: 4.0 oz. (118.3 ml)/sec. - Open Flow
Approvals: CE, NSF Standard 18
Warranty: 5 years

Model Number	Standard Model Numbers		
	Product Inlet Fitting	Product Outlet Fitting	Gas Inlet Fitting
N5000-130	3/8" (9.52 mm) Barbed Straight Plastic (Celcon)	3/8" (9.52 mm) Barbed Straight Plastic (Celcon)	1/4" (6.35 mm) CO ₂ Inlet Plastic (Celcon)
N5000-140	3/8" (9.52 mm) Barbed Straight Plastic (Celcon)	1/4" (6.35 mm) Barbed Straight Stainless Steel	1/4" (6.35 mm) CO ₂ Shutoff Brass
N5000-515	3/8" (9.52 mm) Barbed Straight Plastic (Celcon)	3/8" (9.52 mm) Barbed Straight Stainless Steel	1/4" (6.35 mm) CO ₂ Shutoff Brass
N5000-135 Service Pump (Without Auto Shutoff)	None	None	None
N5000-153 High Altitude Pump for installations above 3000 feet (900 m)	3/8" (9.52 mm) Barbed Straight Plastic (Celcon)	1/4" (6.35 mm) Barbed Straight Stainless Steel	1/4" (6.35 mm) CO ₂ Shutoff Brass





G55 Series

APPLICATIONS

- Designed for dispensing Bag-in-Box syrups, juice concentrate (without pulp or particulate), teas, wines, draft beer and liquor.
- Supplies the following from remote location:
Eight (8) 3.0 oz. (89 ml) valves¹ or
Four (4) 4.5 oz. (133 ml) valves²

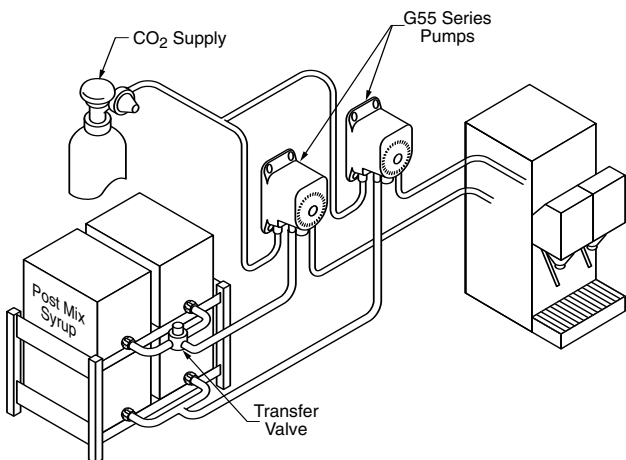
¹Each valve dispenses syrup at 0.50 oz./sec.

²Each valve dispenses syrup at 0.75 oz./sec.

SPECIAL FEATURES

- Highest flow rate available.
- High CO₂ inlet pressure capability for long runs - up to 90 psi (6.2 bar).
- Ultimate performance and reliability with extended service life.
- Built-in auto shutoff, automatically shuts off pump when bag is empty and restarts when a full bag is connected.
- Quiet operation.
- Easy installation with all quick disconnect ports.
- Recyclable materials.
- High altitude shutoff also available.

Model Number	Standard Model Numbers		
	Product Inlet Fitting	Product Outlet Fitting	Gas Inlet Fitting
G55-1022	3/8" (9.52 mm)	3/8" (9.52 mm)	1/4" (6.35 mm)
	Barbed Straight	Barbed Straight	CO ₂ Shutoff
	Stainless Steel	Stainless Steel	Brass
G55-1012	3/8" (9.52 mm)	1/4" (6.35 mm)	1/4" (6.35 mm)
	Barbed Straight	Barbed Straight	CO ₂ Shutoff
	Stainless Steel	Stainless Steel	Brass



SPECIFICATIONS

Pump Design: Positive Displacement, Double Diaphragm
 Power Source: CO₂ Gas, Nitrogen or Compressed Dry Filtered Air
 Materials of Construction (wetted parts): Polypropylene, Santoprene®, EPDM, AISI 303 & 304 Stainless Steel
 Temperature Limits: 34° - 120° F (1.1° - 49° C)
 Weight: 1.24 lbs. (0.56 kg.)
 Dimensions: 5.27" H x 3.21" W x 4.58" D
 (133.8 mm x 81.5 mm x 116.3 mm)
 Displacement: 3.2 oz. per cycle
 Self Priming: Up to 10 ft. (3.05 m)
 Operating Pressure: 20 psi (1.4 bar) min. / 90 psi (6.2 bar) max.
 Liquid Inlet Pressure: 30 psi (2.1 bar) max.
 Flow Rate: 7.0 oz. (207.0 ml)/sec. - Open Flow
 Approvals: CE, SK, NSF Standard 18
 Warranty: 5 years

BEVERAGE PUMPS - GAS (CO₂)/AIR DRIVEN

G58 Series

For Juice Concentrates
and Condiments



APPLICATIONS

- Designed for dispensing BIB syrups, for juice concentrates and condiments which have pulp, particulate or are highly viscous (up to 1/16" or 1.6 mm).

SPECIAL FEATURES

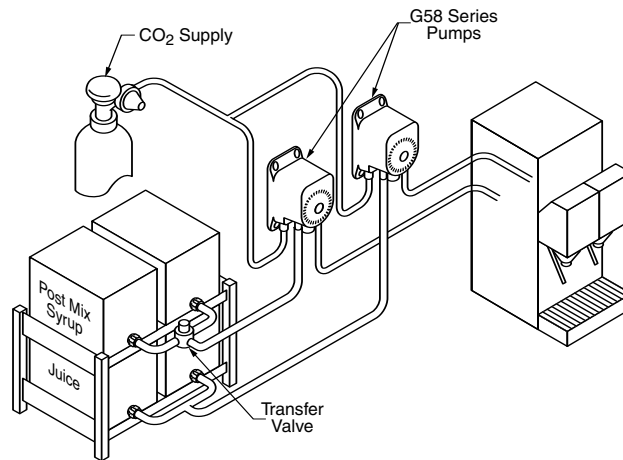
- Enlarged diameter check valves, capable of passing pulp and particulate easily.
- Highest flow rate available.
- High CO₂ inlet pressure capability for long runs - up to 90 psi (6.2 bar).
- Ultimate performance and reliability with extended service life.
- Built-in auto shutoff, automatically shuts off pump when bag is empty and restarts when a full bag is connected.
- Quiet operation.
- Easy installation with all quick disconnect ports.



Standard Model Numbers			
Model Number	Product Inlet Fitting	Product Outlet Fitting	Gas Inlet Fitting
G58-1022	3/8" (9.52 mm) Barbed Straight Stainless Steel	3/8" (9.52 mm) Barbed Straight Stainless Steel	1/4" (6.35 mm) CO ₂ Shutoff Brass

SPECIFICATIONS

Pump Design: Positive Displacement, Double Diaphragm
 Power Source: CO₂ Gas, Nitrogen or Compressed Dry Filtered Air
 Materials of Construction (wetted parts): Polypropylene, Santoprene®, EPDM, AISI 303 & 304 Stainless Steel
 Temperature Limits: 34° - 120° F (1.1° - 49° C)
 Weight: 1.24 lbs. (0.56 kg.)
 Dimensions: 5.27" H x 3.21" W x 4.58" D
 (133.8 mm x 81.5 mm x 116.3 mm)
 Displacement: 3.2 oz. per cycle
 Self Priming: Up to 6 ft. (1.83 m)
 Operating Pressure: 20 psi (1.4 bar) min. / 90 psi (6.2 bar) max.
 Liquid Inlet Pressure: 30 psi (2.1 bar) max.
 Flow Rate: 6.0 oz. (177.4 ml)/sec. - Open Flow
 Approvals: CE, NSF Standard 18
 Warranty: 5 years



BEER PUMPS - GAS (CO₂)/AIR DRIVEN



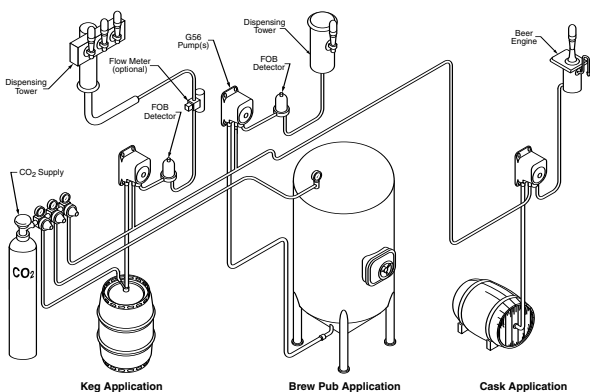
Flow Reversal Valve
(see Accessories Section)



SPECIFICATIONS

Pump Design: Positive Displacement, Double Diaphragm
Power Source: CO ₂ , Nitrogen or Compressed Dry Filtered Air
Materials of Construction (wetted parts): Polypropylene, Santoprene®, EPDM, AISI 304 Stainless Steel
Fluid Temperature Limits: 30° - 120° F (1.1° - 49° C)
Weight: 1.24 lbs. (0.56 kg.)
Dimensions: 5.27" H x 3.21" W x 4.58" D (133.8 mm x 81.5 mm x 116.3 mm)
Displacement: 3.2 oz. (91 ml) per cycle
Self Priming: Up to 10 ft. (3.05 m)
Operating Pressure: 10 psi (0.7 bar) min. / 90 psi (6.2 bar) max.
Liquid Inlet Pressure: 30 psi (2.1 bar) max.
Flow Rate: 5 GPM (18.9 LPM) - Open Flow
Approvals: CE, SK, NSF Standard 18
Life / Mean Time: 70,000 gallons (265,000 l)
Warranty: 3 years

® A Registered trademark of Monsanto Co.



G56 Series

APPLICATIONS

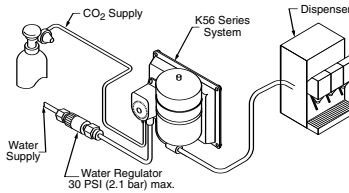
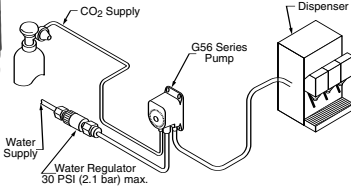
- Dispense beer from a keg, cask or brew kettle.
- Both long or short draw systems.

SPECIAL FEATURES

- Air compressors can be used to pressurize the beer pumps.
- Cost effective; no need for mixed gases or gas blenders.
- The beer pump increases the pressure in the product dispense line, which ensures that the inherent gas in the solution (beer) cannot break out.
- Smaller I.D. tubing can be used in some installations, which reduces the amount of beer wasted when cleaning lines.
- The air/gas used to power the pump never comes in contact with the beer, thus providing protection from flat or tainted beer due to impure air contamination or oxidation.
- Capable of traversing up to 800 feet (244 m), horizontally through a single line.
- Capable of delivering beer up to 10 stories (30 m), vertically through a single line.
- Pump can also be utilized to aid in beer line cleaning through wall mounted cleaning sockets.
- Infinitely variable to suit all runs and rises.
- Can dispense to multiple faucets (up to 5) from a single keg or keg series. This will cut walk-in cooler clutter by lowering the number of kegs on tap at one time which promotes product quality/freshness.
- Feeds up to three faucets through a single line.

Standard Model Numbers			
Model Number	Product Inlet Fitting	Product Outlet Fitting	Gas Inlet Fitting
G56-1202	10 - 13 mm (3/8"-1/2")	10 - 13 mm (3/8"-1/2")	1/4" (6.35 mm)
	Barbed Straight Plastic (polypropylene)	Barbed Straight Plastic (Polypropylene)	CO ₂ Shutoff Brass
G56-1162	10 - 13 mm (3/8"-1/2")	10 - 13 mm (3/8"-1/2")	1/4" (6.35 mm)
	Barbed Straight Plastic (polypropylene)	Barbed Elbow Plastic (Polypropylene)	CO ₂ Shutoff Brass

WATER BOOSTER PUMPS & SYSTEMS - GAS (CO₂)/AIR DRIVEN



Water Booster Pumps

G56 Series

APPLICATIONS

- Water boosting for filtration systems, supply carbonators, non-carbonated dispensing valves, carts, coffee machines, hand sinks, ice machines and FCB equipment.
- Supplies up to 4 GPM (15 L/min). Note: If pumping over 1.7 GPM (6.4 L/min), a pulsation dampener or accumulator tank should be utilized to reduce pulsation, due to momentary shifts in flow requirements.

SPECIAL FEATURES

- Capable of CO₂ inlet pressures, up to 90 psi (6.2 bar).
- Ultimate performance and reliability, with extended service life.
- Quiet operation.
- Easy installation with quick disconnect ports.

Standard Model Numbers			
Model Number	Product Inlet Fitting	Product Outlet Fitting	Gas Inlet Fitting
G56-1215	1/2" (9.52 mm) Barbed Straight Plastic (Polypropylene)	1/2" (9.52 mm) Barbed Straight Plastic (Polypropylene)	1/4" (6.35 mm) CO ₂ Shutoff Brass

SPECIFICATIONS

Pump Design: Positive Displacement, Double Diaphragm
 Power Source: CO₂ Gas, Nitrogen or Compressed Dry Filtered Air
 Materials of Construction (wetted parts): Polypropylene, Santoprene®, EPDM, AISI 303 & 304 Stainless Steel
 Temperature Limits: 34° - 120° F (1.1° - 49° C)
 Weight: 1.24 lbs. (0.56 kg.)
 Dimensions: 5.27" H x 3.21" W x 4.58" D (133.8 mm x 81.5 mm x 116.3 mm)
 Displacement: 3.2 oz. (91 ml) per cycle
 Self Priming: Up to 10 ft. (3.05 m)
 Operating Pressure: 20 psi (1.4 bar) min. / 90 psi (6.2 bar) max.
 Liquid Inlet Pressure: 30 psi (2.1 bar) max.
 Flow Rate: 5 GPM (18.9 LPM) - Open Flow
 Approvals: CE, SK, NSF Standard 18
 Warranty: 1 year

Water Booster Systems

K56 Series

APPLICATIONS

- Supplies consistent water pressure to beverage dispensers, coffee machines, water filtration systems, carbonators and ice machines.
- Supplies up to 4 GPM (15 L/min).
- For use when water requirement is over 1.7 GPM (6.4 L/min).

SPECIAL FEATURES

- Half-gallon (1.9 l) accumulator tank maintains constant flow requirements.
- Capable of CO₂ inlet pressures up to 90 psi (6.2 bar).
- Ultimate performance and reliability, with extended service life.
- Quiet operation with exhaust muffler.
- Easy installation with all quick disconnect ports.

Standard Model Numbers			
Model Number	Product Inlet Fitting	Product Outlet Fitting	Gas Inlet Fitting
K56-1030	1/2" (12.7 mm) Barbed Straight Plastic (Polypropylene)	1/2" (12.7 mm) Barbed Straight Nylon	1/4" (6.35 mm) CO ₂ Shutoff Brass

SPECIFICATIONS

Pump Design: Positive Displacement, Double Diaphragm
 Power Source: CO₂ Gas, Nitrogen or Compressed Dry Filtered Air
 Materials of Construction (wetted parts): Polypropylene, Santoprene®, EPDM, AISI 303 & 304 Stainless Steel, Brass
 Temperature Limits: 34° - 120° F (1.1° - 49° C)
 Weight: 1.24 lbs. (0.56 kg.)
 Dimensions: 12" H x 11.5" W x 7" D (304.8 mm x 292.1 mm x 177.8 mm)
 Displacement: 3.2 oz. (91 ml) per cycle
 Bladder Tank: Precharged to 20 PSI (1.4 bar)
 Port Fittings: Gas Inlet & Outlet 1/4" (6.3 mm) Barbed
 Pump Product Inlet 1/2" (12.7 mm) Barbed
 Tank Product Outlet 1/2" (12.7 mm) Barbed
 Self Priming: Up to 10 ft. (3.05 m)
 Operating Pressure: 60 psi (4.1 bar) min. / 90 psi (6.2 bar) max.
 Liquid Inlet Pressure: 30 psi (2.1 bar) max.
 Flow Rate: 5 GPM (18.9 LPM) - Open Flow
 (Flow rate is higher when accumulator tank is not empty)
 Approvals: CE, NSF Standard 18
 Warranty: 1 year

BEVERAGE PUMPS - ELECTRIC



2125 Series

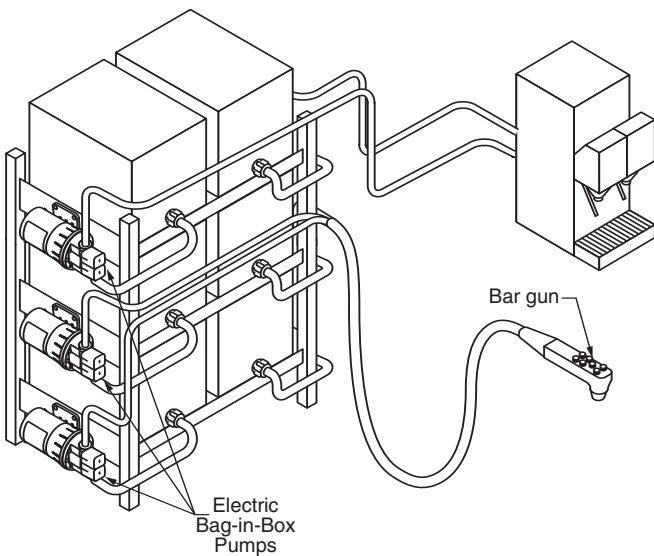
APPLICATIONS

- Designed for dispensing Bag-in-Box syrups, juice concentrate (without pulp or particulate), teas, Bag-in-Box wines and liquor.
- Ideal for use in mobile carts and vending applications, where CO₂ is not available.

SPECIAL FEATURES

- Built-in vacuum switch shuts off pump when bag is empty. When full bag is connected, pump will restart automatically.
- Pressure switch allows pump to turn on and off automatically when dispensing valve is opened or closed.
- Self-priming up to 6 ft. (1.8 m).
- Runs dry without damage.

Model Number	Standard Model Numbers		Operational Flow
	Voltage	Pressure Switch	
2125-030	115 Volt AC	50 psi max. (3.4 bar)	1 oz./sec. (29.5 ml./sec.)
2125-507	115 Volt AC	90 psi max. (6.2 bar)	0.5 oz./sec. (14.8 ml./sec.)
2125-230	230 Volt AC	50 psi max. (3.4 bar)	1 oz./sec. (29.5 ml./sec.)
2125-508	230 Volt AC	90 psi max. (6.2 bar)	0.5 oz./sec. (14.8 ml./sec.)



SPECIFICATIONS

Pump Design: Double diaphragm
Ports: 1/4" NPT, female
Motor: Permanent magnet with solid state rectifier
Cycles: 50/60 Hz
Recommended Duty Cycle: 25%
Approvals: NSF Standard 18
UL listed
Warranty: 1 year

WATER BOOSTER/WATER DELIVERY PUMPS – ELECTRIC

Duplex II Series

The Duplex II series of pumps incorporate the best technology and features developed by Flojet. Everything from the back flow preventer, check valves, bearings and diaphragm assembly to the motor, have been designed to make this truly the most advanced and reliable diaphragm pump available. Higher efficiency of the pump is evident in the longer life of the motor pump unit. The new diaphragm design combined with the new valves makes the pump capable of pulling higher dry vacuum. Duplex II is available in various performance ranges, voltages and with a choice of elastomers, making it easily adaptable to a diverse range of applications.



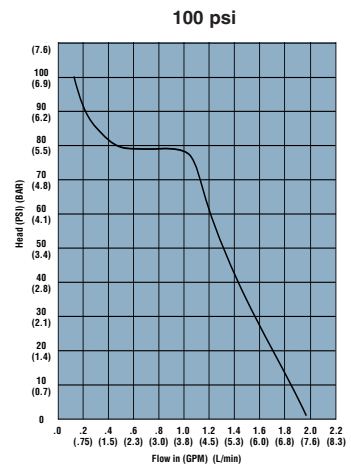
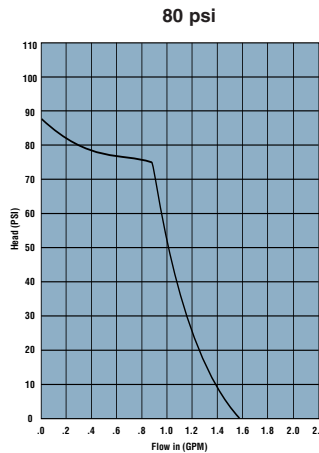
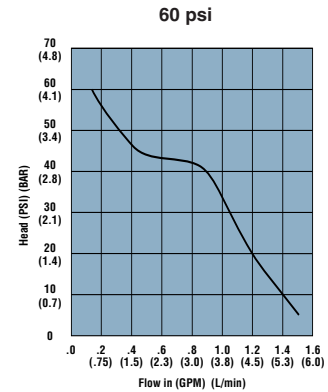
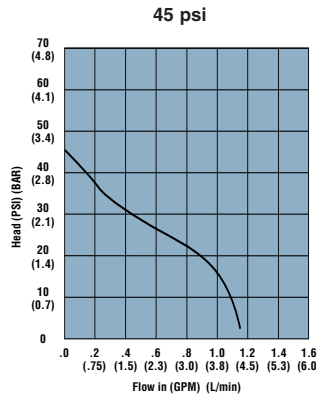
SPECIAL FEATURES

- Self priming up to 8 feet (2.4 m).
- Can run dry without damage.
- Chemical resistant material.
- Intenal bypass standard.
- Built-in back flow preventer.
- Heavy duty ball bearing drive system.
- UL, CSA and CE models available.

Model Number	Description	Standard Model Numbers
D4821H4011	115V AC	45 psi max.
D4922H4011	230V AC	45 psi max.
D4831H5011	115V AC	60 psi max.
D4932H5011	230V AC	60 psi max.
D4834H6011	115V AC	80 psi max.
D4935H6011	230V AC	80 psi max.
D4834H7011	115V AC	100 psi max.
D4935H7011	230V AC	100 psi max.

SPECIFICATIONS

Pump: Positive Displacement two piston design, demand pump
 Flow Rate: 2.2 GPM (8.32 L/min) for high pressure models
 1.6 GPM (6.05 L/min) for medium and low pressure models
 Pressures: Up to 100 PSI (6.9 bar)
 Ports: 3/8" NPT female
 Motor: Permanent Magnet with solid state rectifier
 Voltages: 115 & 230 V AC
 Cycles: 50/60 hertz for AC models
 Dry Vacuum: Up to 8 feet (2.4 m)
 Pressure Switch Setting: 15, 30, 45, 60, 80 and 100 PSI (1, 2, 3.1, 4.1, 5.5, 6.9 bar)
 Wetted Parts: Polypropylene, Santoprene
 Net Weight: 4 to 5 lbs. (2.28 kgs)
 Maximum Operating Pressure: 100 PSI (6.08 bar)
 Approvals: NSF Standard 18, UL listed



Triplex Series High Pressure Pump

Triplex High Pressure Series pumps are designed for a wide range of applications and are constructed from a selection of materials suitable for handling a broad range of chemicals. The Triplex High Pressure diaphragm pumps are self-priming and can run without harm. They are intended for intermittent duty cycles but can be run continuously for short periods of time. Typical uses include transfer, delivery, spraying, cooling, filtration, dispensing, and pressure boosting.



SPECIAL FEATURES

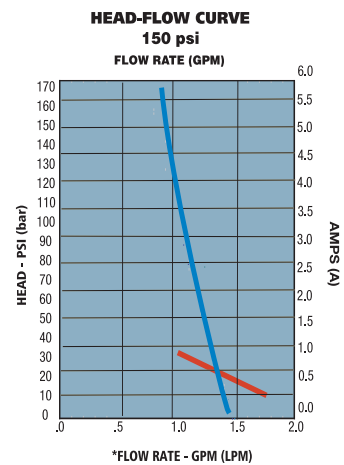
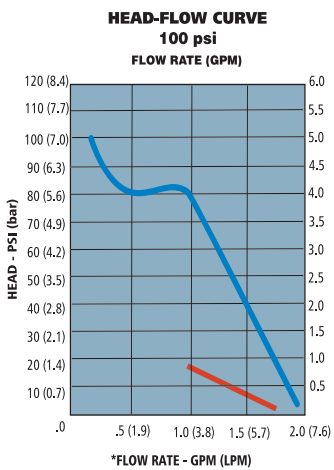
- Available pressures up to 150 psi (10.3 bar)
- Pump is sealed in corrosion resistant material, thus offering unparalleled performance and life
- Bypass System eliminates pulsation and cycling
- Latest co-injection mold diaphragm technology reduces potential leak paths
- Wetted materials designed to withstand many corrosive chemicals*
- Variable Speed Drive optional

* Contact factory for chemical compatibility

SPECIFICATIONS

Pump Design	Motor operated 3 chamber diaphragm
Motor Design	Permanent magnet DC and rectified (PMDC) AC
Voltages	12, 24V DC / 115, 230V AC
Cycles	50 / 60 Hz
Amp Draw	9 amps max for 12V DC 0.95 amps max for 115V AC
Pump Head	Glass filled Nylon
Elastomer Diaphragm	Santoprene™
Check Valves	EPDM or Viton
Max. Flow Rate	2.0 GPM (7.6 LPM)
Max. Pressure	150 psi (10.3 bar) switch cutoff 140 psi (9.7 bar) max running pressure
Duty Cycle	Intermittent*
Weight	7.6 lb (3.5 kg) max
Wiring Options	Standard 18" (46 cm) leads 6ft. (2m) cord available for AC
Port size inlet / outlet	3/8" NPTF
NSF Compenents, UL, CE	

* Consult factory for continuous duty applications



APPLICATIONS

Beverage:

Water Booster
Water Purification
Espresso Brewing
Carbonation

AUTOMATIC WATER BOOSTER PUMP SYSTEMS – ELECTRIC

2820 Series

FEATURES

The Flojet 2820 Series Booster Systems are designed to provide a constant water pressure of 0 to 70 PSI (0.7 to 4.8 bar) and a maximum flow rate of 1.5 GPM at 10 PSI (0.7 bar). The pump is fully automatic, with built-in inlet strainer, pressure switch, and check valve and supplies smooth flow from a trickle to full flow. Typical uses include applications where available water pressure is very low or fluctuates widely, and as a primary water pressure system pumping from a cistern, water storage tank or other ground level water source. Easy installation only requires that the water lines be connected, and the power cord plugged in.

SPECIFICATIONS

Inlet and Outlet Ports: 3/8" Female NPT

Motor: Permanent Magnet TENV

Amp Draw: 115 Volt AC: 0.55 amps max.

230 Volt AC: 0.25 amps max.

Accumulator Tank:

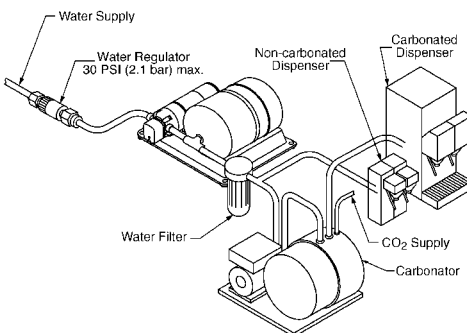
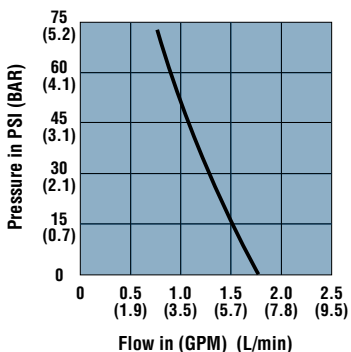
Diaphragm: Butyl

Total Volume: 0.77 gal. (3 liters)

Oper. Volume: 0.16 gal. (0.6 liters)

Warranty: 1 year

Part Number	Standard Model Numbers	Description
2820-240	230 V AC, 70 PSI (4.8 bar) switch, 1.56 GPM (5.9 LPM)	
2840-010	115 V AC, 40 PSI (2.7 bar) switch, 3.5 GPM (13.2 LPM)	
2840-000	115 V AC, 40 PSI (2.7 bar) switch, 4.5 GPM (17 LPM)	
2840-210	230 V AC, 40 PSI (2.7 bar) switch, 3.5 GPM (13.2 LPM)	
2840-100	12V DC, 45 PSI (3.1 bar) switch, 4.5 GPM (17 LPM)	



2840 Series

FEATURES

The Flojet 2840 Series Booster Systems are designed to provide a constant water pressure of 0 to 40 PSI (0.7 to 2.7 bar) and a maximum flow rate of 4.5 GPM at 10 psi (0.7 bar). The pump is fully automatic, with built-in inlet strainer, pressure switch, and check valve, and supplies smooth flow from a trickle to full flow. Typical uses include applications where available water pressure is very low, and fluctuates widely. Easy installation requires only that the water lines be connected, and the power cord plugged in.

SPECIFICATIONS

Inlet and Outlet Ports: 1/2" (13 mm) OD or 3/4" (19 mm) OD hose barb

Motor: Permanent Magnet TENV

Amp Draw: 115 Volt AC: 1.5 amps max.

230 Volt AC: 0.75 amps max.

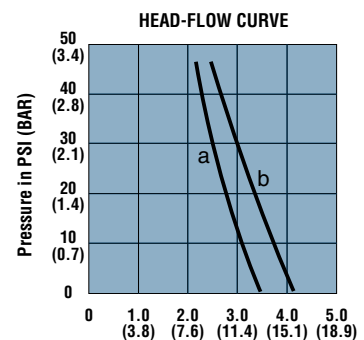
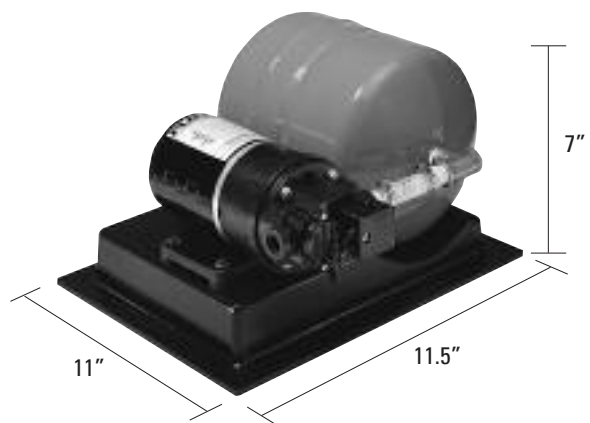
Accumulator Tank:

Diaphragm: Butyl

Total Volume: 0.77 gal. (3 liters)

Oper. Volume: 0.16 gal. (0.6 liters)

Warranty: 1 year



TRIPLEX WATER BOOSTER SYSTEM

2830 Series

FEATURES

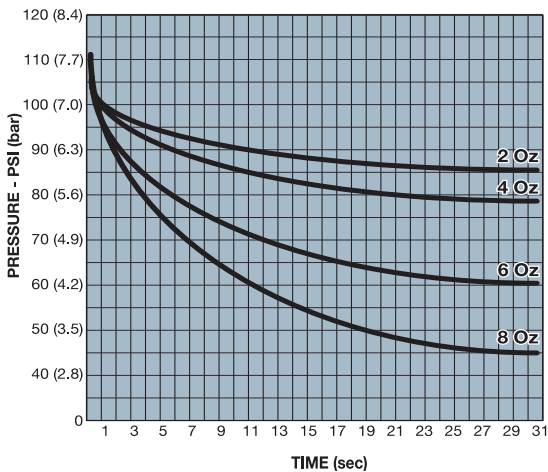
- Highest capacity for its size
- Advanced pump technology for extended life
- Stainless-steel accumulator tank
- Food grade bladder
- Provides consistent pressure
- Supports carbonators, dispensing valves, and other appliances
- Highly efficient operation
- Increased draw-down time

APPLICATIONS

Provides constant pressure water supply to:

- Carbonators
- Ice makers
- Non-carbonated drink dispensing valves
- Coffee / tea brewers
- FCB / frozen drink machines
- Moist-heat food holding cabinets

Model Number 02830-000



SPECIFICATIONS

Pump Design	Motor operated 3 chamber diaphragm	
Motor Design	Corded AC Rectified (PMDC) AC	
Wetted Parts	Diaphragm	Santoprene
	Check Valve	EPDM
	Pump Housing	Nylon
Accumulator Tank	Housing	304 Stainless Steel
	Bladder	Butyl (food grade)
Weight	17.1 lbs (7.8 Kg)	

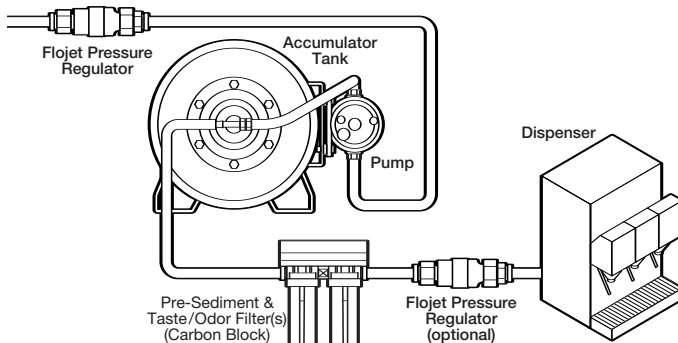
Performance Specifications – Pump

Max. Amp Draw	115V AC	0.95 amp
	230V AC	0.50 amp
Cycle	50/60 Hz	
Liquid Temperature Min..	40°F (5°C)	

		Max. 120°F (49°C)
Priming	Dry	6 feet (1.8m)
	Wet	10 feet (3.1m)
Max. Flow	1.4 GPM (5.6 LPM)	
Max. Discharge Pressure	150 psi (10.3 bar)	
Max. Inlet Pressure	30 psi (2.1 bar)	
Certifications	UL, NSF, CE	

Performance Specifications – Tank

Total Capacity, Tank	4 gallons (15 liters)	
Total Capacity, Bladder, without stretching	2.0 gallons (7.6 liters)	
Draw-down Volume	~1.8 gallons @ 50 psi air inlet (6.8 liters @ 3.5 bar)	
Max. Operating Pressure	100 psi (6.9 bar)	
Max. Working Temperature	120°F (49°C)	
Port Size	3/8" (10mm) Pump Inlet Hose Barb	
	1/2" (13mm) Tank Discharge Port Hose Barb	



AC VSD SERIES PUMPS

The AC Variable Speed Drive constant pressure pump system matches motor speed to system demand. As more liquid is needed, the motor responds to increase flow. Conversely, as the demand lessens, the motor slows to a “super quiet” speed, always maintaining a constant system pressure. The result is exceptionally stable flow and reduced amp draw. The Flojet AC VSD sensor-controlled pumps provide stable, constant-pressure operation on any AC application. Operation from no flow to maximum flow is proportionally controlled, eliminating unwanted pump switch cycling and the need for an accumulator tank.

SPECIAL FEATURES

- Maintains steady fluid pressure in response to variable flow demand
- No pressure switch
- Conserves energy, low amp draw
- Quiet running under normal use
- Automatically adjusts motor speed to maintain pressure
- Improves overall system performance
- Eliminates bulky accumulator tank for limited space requirements

MODEL NUMBERS

Duplex II Models (Pump with VSD Module)

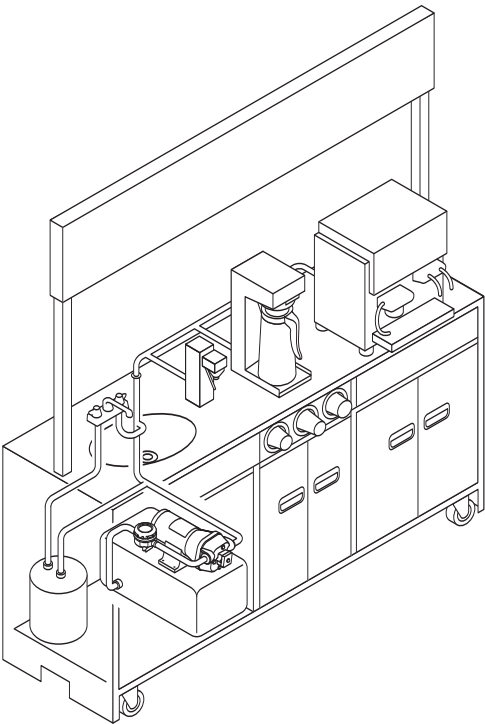
D4635H8011A	115 VAC	3 12" Wires
D4835H8011A	115 VAC	Cable with Plug

Quad Models (Pump with VSD Module)

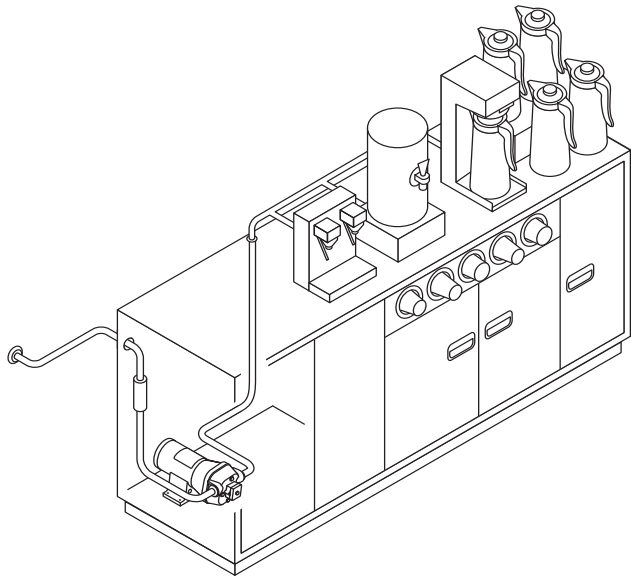
04524-043A	115 VAC	3 12" Wires
04524-500A	115 VAC	Cable with Plug

TYPICAL BEVERAGE INSTALLATIONS

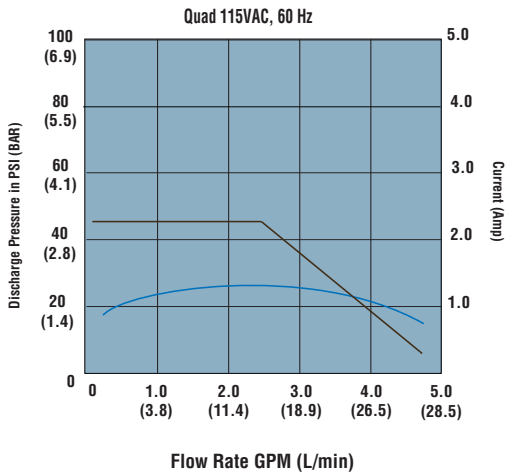
Coffee Cart/Kiosk



Commercial Water Boost



Quad Model



SPECIFICATIONS – QUAD VSD

Pump Design	Positive Displacement Diaphragm (4 Piston)
Power Source	AC
Materials	Polypropylene housing, Santoprene* diaphragm, EPDM** check valves
Fluid Temperature Limits	130° F (55° C)
Weight	6.63 lbs. (3.0 kg.)
Motor	Permanent Magnet Rectified
Amp Draw, 115 V	1.34 Amps (@ 45 PSI)
Flow Rate, 115 V	5.0 GPM (19 LPM) - Open Flow
Voltages	115 V
Cycles	60 Hz
Recommended Duty Cycle	Intermittent
Dimensions	3.75" H x 6.30" W x 9.00" L (95 mm x 160 mm x 221 mm)

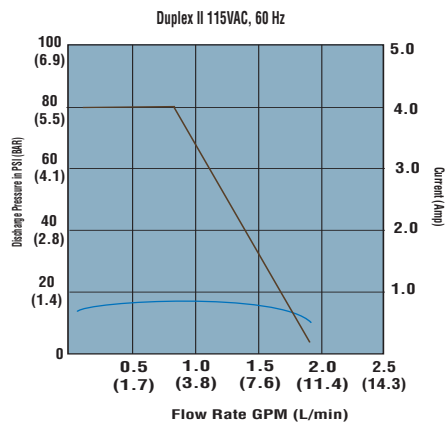
UL listed

NSF pending

* A Registered trademark of Monsanto Co.

** Consult factory for other materials or voltage options

Duplex II Model



SPECIFICATIONS – DUPLEX II VSD

Pump Design	Positive Displacement Diaphragm (2 Piston)
Power Source	AC
Materials	Polypropylene housing, Santoprene* diaphragm, EPDM** check valves
Fluid Temperature Limits	130° F (55° C)
Weight	5.61 lbs. (2.54 kg.)
Motor	Permanent Magnet Rectified
Amp Draw, 115 V	0.83 Amps (@ 80 PSI)
Flow Rate, 115 V	1.9 GPM (7 LPM) - Open Flow
Voltages	115 V
Cycles	60 Hz
Recommended Duty Cycle	Intermittent
Dimensions	3.63" H x 4.00" W x 8.38" L (92 mm x 102 mm x 213 mm)

UL listed

NSF Standard 18

* A Registered trademark of Monsanto Co.

** Consult factory for other materials or voltage options

BOTTLED WATER DISPENSING SYSTEM

SPECIAL FEATURES

- Compact size for easy mounting.
- Float switch for automatic shut-off, when bottle is empty.
- Built-in check valve to prevent back flow.
- Universal seal cap and adjustable dip tube will accommodate most bottle sizes.
- 1/4" (6.3 mm) OD x 20' (6.1 m) discharge hose included.
- System accommodates both 3/8" (9.5 mm) OD and 1/4" (6.3 mm) OD discharge tubing.



APPLICATIONS

- Designed for dispensing bottled water to coffee machines, beverage dispensers, vending machines and carts. (see diagrams below).
- For remote locations where water supply is inaccessible.

Model Number	Standard Model Numbers	
	Voltage	Cord
BW1000A	115 Volt AC	6' (1.8 m) cord w/plug
BW2000A	230 Volt AC	6' (1.8 m) cord, without plug
BW3000	12 Volt DC	3' (0.9 m) wire leads, stripped ends

SPECIFICATIONS

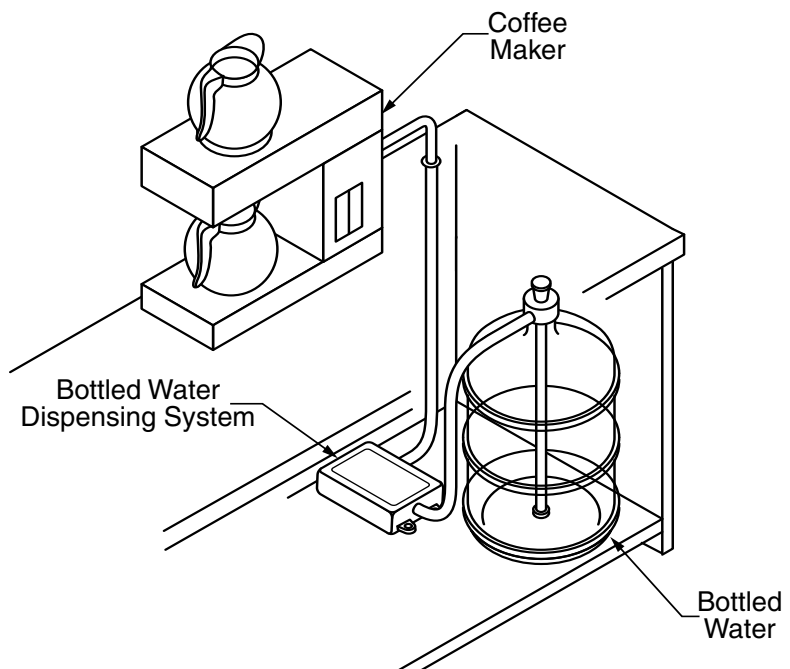
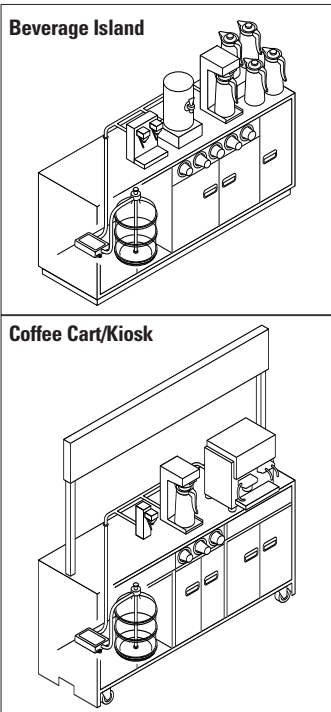
Pump Design: Positive displacement, double diaphragm

Flow Rate: 1.0 GPM (3.8 L/min) at open flow

Discharge Hose: 1/4" OD x 20' (6.1 m)

UL and CUL listed

NSF Listed, Standard 18



DEMAND & MANUAL SINGLE FIXTURE PUMP



LF Series

SPECIAL FEATURES

- Compact automatic demand or manual pump.
- Self-priming.
- Run-dry capability.
- Low amp draw.
- Built-in thermal protector.

APPLICATIONS

- Low-flow, low pressure beverage dispensing and transfer.
- Liquor dispense.

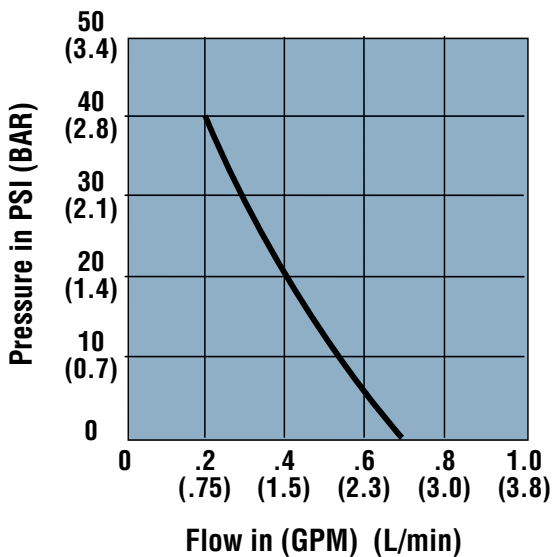
Model Number	Standard Model Numbers	
	Voltage	Description
LF521402	115VAC	High speed motor, 40 psi (2.7 bar) switch
LF521002	115VAC	High speed motor, no switch
LF521B02	115VAC	High speed motor, 40 psi (2.7 bar) switch, comes with 3/8" (9.5 mm) John Guest port fitting

SPECIFICATIONS

Pump Design: Reciprocating diaphragm	
Flow Rate: .15 GPM - 1 GPM (.5 L/min - 3.8 L/min)	
Pressure: Demand pump - 40psi max. (2.8 bar)	
Manual pump - 55psi max. (3.8 bar)	
Duty Cycle: Intermittent	
Wetted Parts: Housing	Polypropylene
Diaphragm	Santoprene®
Check valve	EPDM
Check valve spring	Stainless steel
Port Size: 3/8" (9.5 mm) OD hose barb, integral	
Priming: 2 - 4 ft. (.6 - 1.2 M)	
Liquid Temperature: 40° - 110° F (5° - 43° C)	
Motor Type: Permanent magnet	
Motor Voltage: 115 VAC	
(12V/24 variants available, contact factory)	
Warranty: 1 year	
Approvals: CSA Compliant, NSF Standard 18	

Contact the factory for other available models.

HEAD-FLOW CURVE



ACCESSORIES



Water Pressure Regulators

- Minimizes inlet water fluctuation.
- Limits inlet water pressure to levels safe for pumps and appliances.
- Can be mounted in any position.
- Available in 15, 30, 50, & 80 psi (1, 2, 3.4, 5.5 bar) max. models.
- Manufactured with food-grade materials.
- Accepts plastic 1/2" Male NPT fittings.
- Handles water temp. up to 150° F (66° C).
- Removable, cleanable screen protects pumps and appliances from debris.

Applications

- Protects all Flojet electric and air-operated pumps from excessive inlet water pressure.
- Protects ice makers, drink valves and other beverage appliances from excessive inlet water pressure.

Standard Model Numbers	
Part Number	Description
1750-352	15 psi max, with 1/2" Male NPT X 3/8" OD barbed fittings.
1750-320	30 psi max, with 1/2" Female NPT openings, no fittings.
1750-321	30 psi max, with 1/2" Male NPT X 1/4" OD barbed fittings.
1750-322	30 psi max, with 1/2" Male NPT X 3/8" OD barbed fittings.
1750-300	50 psi max, with 1/2" Female NPT openings, no fittings.
1750-301	50 psi max, with 1/2" Male NPT X 1/4" OD barbed fittings.
1750-302	50 psi max, with 1/2" Male NPT X 3/8" OD barbed fittings.
1750-330	80 psi max, with 1/2" Female NPT openings, no fittings.
1750-331	80 psi max, with 1/2" Male NPT X 1/4" OD barbed fittings.
1750-332	80 psi max, with 1/2" Male NPT X 3/8" OD barbed fittings.



Pressurized Accumulator Tank

- Compact pneumatic bladder tank is designed for smaller systems and spaces.
- Mounts easily in any position.
- Perfect for low volume water supply applications.
- Includes 1/2" (12.7 mm) barbed quick-connect fittings.
- Tank is pressurized to 10 psi (0.7 bar) and can be fine-tuned to the cut-in pressure of pump.
- Max. working pressure: 125 psi (8.6 bar).
- Working fluid capacity: 1 quart (0.95 liters).
- NSF Standard 18 listing.

Part Number	Description
30573-001	1 liter accumulator tank



Pressurized Mini Accumulator Tank

- Compact pneumatic bladder tank is designed for smaller systems and spaces.
- Mounts easily in any position.
- Perfect for low volume water supply applications.
- Includes 1/2" (12.7 mm) barbed quick-connect fittings.
- Tank is pressurized to 10 psi (0.7 bar) and can be fine-tuned to the cut-in pressure of pump.
- Max. working pressure: 125 psi (8.6 bar).
- Working fluid capacity: 21.5 oz (.65 liters).
- NSF Standard 18 listing.

Part Number	Description
30573-0002B	1/2 liter accumulator tank (rubber valve)
30573-0012B	1/2 liter accumulator tank (metal valve)

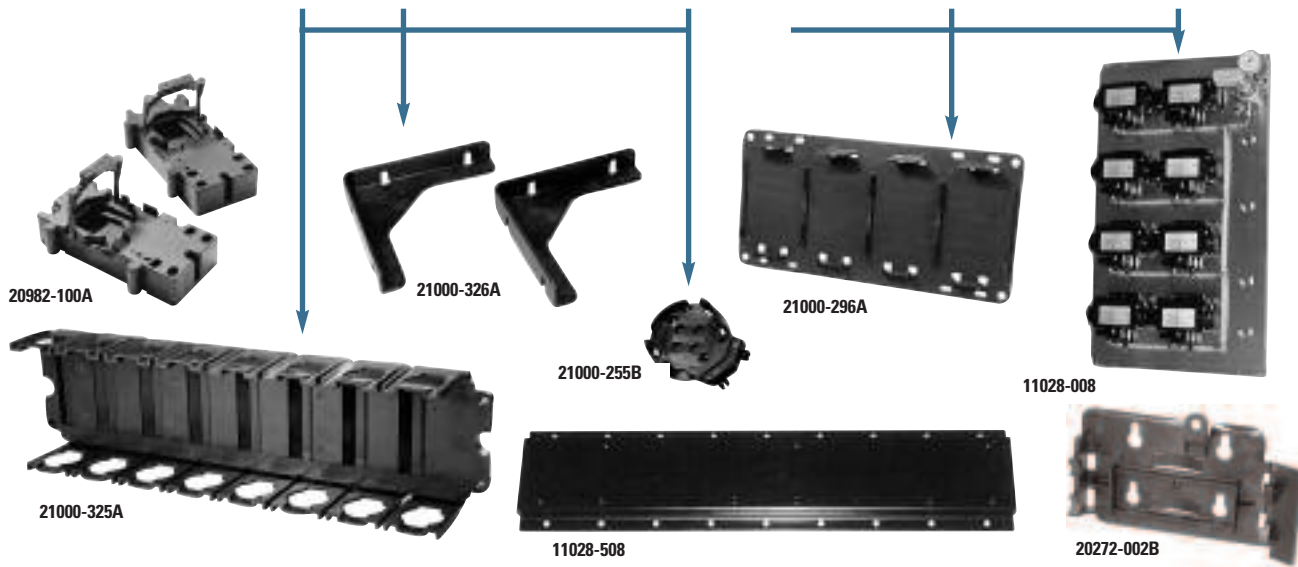


Pressurized Large Accumulator Tank

- Will smooth flow from faucets and shower, reducing pump cycling and eliminating pulsations and water hammer.
- Water is totally separated from air chamber and metal tank by a bladder and polypropylene tank liner.
- NSF-61 listed for all water applications.
- Volume of tank is 1 gallon (3.8 liters) with a working water volume of about .6 gallon (2.3 liters).
- Mounts horizontally, vertically, or upside down.
- Includes brackets and band clamps.
- Port is 3/4" NPT (male).
- Pre-pressurized to 20 psi (1.4 bar).
- Tank may be fine tuned to cut-in pressure of pump.

Part Number	Description
18810-0000	1 gallon (3.8 l) accumulator tank

ACCESSORIES



Mounting Brackets

Part Number	Description & Features
20982-100A	<p>Universal Bracket</p> <ul style="list-style-type: none"> • For use with N5000 Series, G Series and Shurflo®, air driven pumps • Single brackets snap together easily for multiple pump installations • Ideal for mounting on BIB rack or wall
11028-508	<p>Three Pump Metal Mounting Bracket</p> <ul style="list-style-type: none"> • For use with N5000 Series pumps • Bracket can be mounted vertically or horizontally • Black enamel finish resists corrosion • Ideal for mounting on BIB rack or wall
11028-008	<p>Eight Pump Stainless Steel Mounting Panel</p> <ul style="list-style-type: none"> • For use with N5000 Series pumps • Mounting positions available for air regulators and transfer valves
21000-325A	<p>Eight Pump Plastic Mounting Bracket</p> <ul style="list-style-type: none"> • For use with N5000 Series Pumps
21000-326A	<p>Wall Mount Kit</p> <ul style="list-style-type: none"> • For mounting 21000-325A (8 Pump Plastic Bracket) on BIB rack or wall
21000-296A	<p>Four Pump Plastic Mounting Bracket</p> <ul style="list-style-type: none"> • For use with all G Series pumps • Ideal for mounting on BIB rack or wall
21000-255B	<p>Transfer Valve Mounting Bracket (12 pk.)</p> <ul style="list-style-type: none"> • For mounting transfer valve onto N5000 Series pump or on 8 Pump Stainless Steel Mounting Panel.
20272-002B	<p>Slide Track Bracket</p> <ul style="list-style-type: none"> • For use with N5000 Series air driven pump • Allows quick mounting of pump to slide-in style mounting systems

ACCESSORIES



Extractor/Dryer

- Developed for air-driven pumps, valves, or any air-driven equipment.
- Removes condensation, oil and contaminants from compressor air supply.

Standard Model Numbers

Part Number	Description
FJ-520B	Two stage air dryer, 1/4" Female NPT ports
0155K	Service kit

SPECIAL FEATURES

- Easy to install in-line
- Perform maintenance without removal of unit
- Lightweight, rust-proof aluminum housing
- Increased cost savings from decreased equipment downtime
- Weep drain for condensate removal
- Five micron rating
- Two stage filter medium
- 250 psi max inlet pressure
- NSF Standard 18



Strainers

- Keeps debris and particles from entering your Flojet pump and other types of equipment.
- Low profile design, for space saving installation.
- Threaded bowl makes cleaning quick and easy.
- Optional connection variants available.*

Part Number	Standard Model Numbers		
	Inlet	Outlet	Screen
01720-002	1/2" Barb	1/2" Barb	20 Mesh SS
01720-003	3/8" Barb	3/8" Barb	20 Mesh SS
01720-102	1/2" Barb	1/2" Barb	20 Mesh PP
01720-103	3/8" Barb	3/8" Barb	20 Mesh PP
01740-002	1/2" Barb	1/2" Barb	40 Mesh SS
01740-003	3/8" Barb	3/8" Barb	40 Mesh SS
01740-365	1/2" Barb	1/2" Barb	40 Mesh PP

SS=Stainless Steel PP=Polypropylene
*Consult Flojet document # F100-072

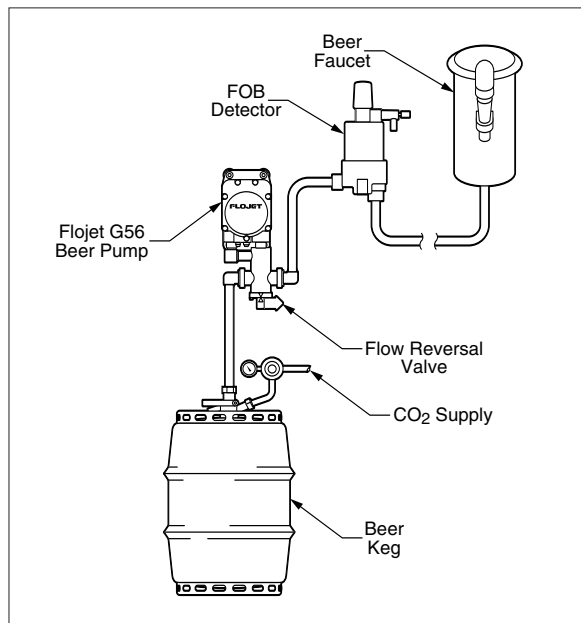


Flow Reversal Valve

- Allows you to run cleaning solution in both directions through draught beer systems.
- Allows for multiple lines to be cleaned at one time.
- Easy-to-use valve allows for easy change from "Dispense" mode to "Reverse Flow" mode.
- Optional connection variants available.*
- NSF Standard 18

Standard Model Numbers

Part Number	Description
FRV0001	Flow Reversal Valve for G56 Beer Pump



ACCESSORIES



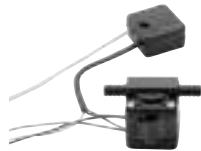
Transfer Valves

- Automatically changes from empty to full bag without interrupting flow.
- Can operate multiple banks of BIB, horizontally.
- Label indicates which BIB is "on-line."
- Can be mounted in any position.
- Can be manually operated.

Standard Model Numbers	
Part Number	Description
1500-030	Regular-automatic switching @ 16" (+ or - 2") Hg.
1500-130	Regular with swivel elbow fittings
1500-031	High altitude, 3,000+ ft. (900+ m); automatic switching @ 11" - 14' Hg.
1500-131	High Altitude with swivel elbow fittings

SPECIFICATIONS

Design: Vacuum Operated, Snap Action Diaphragm
 Connections: 3/8" Hose Barb
 Approvals: NSF Standard 18



Syrup Sold Out Switch

- Illuminates "sold out" light to indicate empty BIB and temporarily disables dispensing valve.

Standard Model Numbers	
Part Number	Description
2095-502	Syrup Sold Out Switch, for 1/4" ID tubing
2095-540	Syrup Sold Out Switch, for 3/8" ID tubing

SPECIFICATIONS

Design: Pressure/Electrical Operation
 Pressure Switch: Opened 20 psi (1.4 bar), Closed 13 psi (0.9 bar)
 Normally open
 Voltage: 24 Volt AC power
 Cycle: 50/60 Hz
 Connections: 1/4" OD or 3/8" OD hose barbed
 Approvals: NSF Standard 18, UL listed



Auto Shutoff

Applications

- For use with N5000 Series pumps.
- Automatically shuts off pump when BIB bag is empty.
- NSF Standard 18

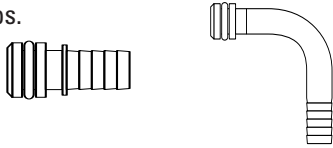
Standard Model Numbers	
Part Number	Description
20308-130	Auto shutoff valve, 1/4" plastic straight CO ₂ shutoff valve
20308-131	High altitude auto shutoff valve, 1/4" plastic straight CO ₂ shutoff valve

FITTINGS

GAS PUMP - LIQUID FITTINGS

Stainless Steel Product Inlets & Outlets

- For use with all N5000 Series, G55, G5A and G58 Series Pumps.



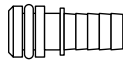
Part Number	Description
20324-030	1/4" (6.3 mm) Hose Barb, Straight
20325-030	3/8" (9.5 mm) Hose Barb, Straight
20606-100	1/2" (12.7 mm) Hose Barb, Straight
20607-100	1/4" (6.3 mm) Hose Barb, Elbow
20608-100	3/8" (9.5 mm) Hose Barb, Elbow

- For use with G56 and K56 Series Pumps.

Part Number	Description
21000-131A	1/4" (6.3 mm) Hose Barb, Straight
21000-130A	3/8" (9.5 mm) Hose Barb, Straight

Plastic Product Inlets & Outlets

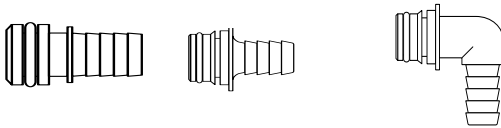
- For use with all N5000 Series, G55 and G58 Series Pumps.



Part Number	Description
20325-031	3/8" (9.5 mm) Hose Barb, Straight

Plastic Product Inlets & Outlets

- For use with all G56 Series and K56 Series Pumps.



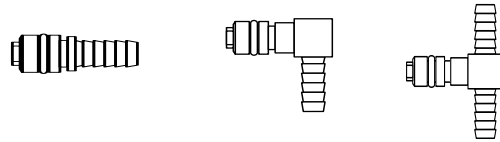
Part Number	Description
20381-026	10-13mm (3/8"-1/2") Hose Barb, Straight
20381-002	1/2" (12.7 mm) Hose Barb, Straight
20381-024	10-13mm (3/8"-1/2") Hose Barb, Elbow
20381-009	1/2" (12.7 mm) Hose Barb, Elbow

* Packaged 2 per bag.

GAS PUMP - AIR FITTINGS

Brass CO₂/Air Inlets with Shutoff Valve

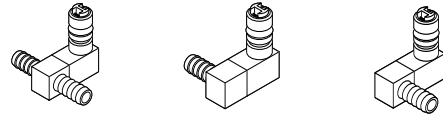
- For use with all N5000 Series and G Series Pumps.
- Automatically shuts off CO₂ supply to pump, when unplugged.



Part Number	Description
1510-000	1/4" (6.3 mm) Hose Barb, Straight
1520-000	1/4" (6.3 mm) Hose Barb, Tee
1521-000	1/4" (6.3 mm) Hose Barb, Elbow

Offset Brass CO₂/Air Inlets with Shutoff Valve

- Facilitates manifolding CO₂ lines of multi-pump kits, when pumps are mounted vertically.
- Eliminates obstruction of CO₂/airlines by fluid lines or ports.



Part Number	Description
01522-000	1/4" (6.3 mm) Offset Hose Barb, Tee
01523-000	1/4" (6.3 mm) Offset Hose Barb, Elbow, Left Hand
01524-000	1/4" (6.3 mm) Offset Hose Barb, Elbow, Right Hand

* Packaged 12 per bag.

Plastic CO₂/Air Inlets

- For use with all N5000 Series and G Series Pumps.



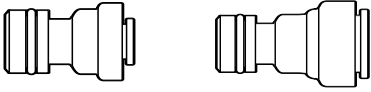
Part Number	Description
20325-033	1/4" (6.3 mm) Hose Barb, Straight

FITTINGS

JOHN GUEST FITTINGS

Product Inlet & Outlet Fittings

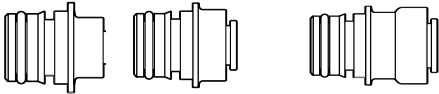
- For use with all N5000, G55, G5A & G58 Series Pumps



Part Number	Description
21000-231B	For use with 1/4" (6.3 mm) O.D. Tubing
21000-232B	For use with 3/8" (9.5 mm) O.D. Tubing

* Packaged 12 per bag.

- For use with G56 and Quad Pumps.



Part Number	Description
21000-228B	For use with 1/4" (6.3 mm) O.D. Tubing
21000-229B	For use with 3/8" (9.5 mm) O.D. Tubing
21000-230B	For use with 1/2" (12.7 mm) O.D. Tubing

* Packaged 12 per bag.

Air / CO₂ Fittings

- For use with N5000 and all G Series Pumps



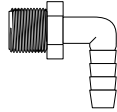
Part Number	Description
21000-233B	Plastic Fitting, for use with 1/4" (6.3 mm) OD tubing
21000-234B	Brass CO ₂ Fitting with shutoff, for use with 1/4" (6.3 mm) O.D. tubing

* Packaged 12 per bag.

ELECTRIC PUMP FITTINGS

Nylon Barbed Elbow

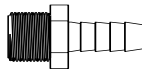
- For use with all Duplex II and 2820 Series (3/8" NPT only) and 2125 Series Pumps (1/4" NPT only).



Part Number	Description
91010-001	3/8" NPT Male x 3/8" (9.5 mm) Barb
91010-003	1/4" NPT Male x 3/8" (9.5 mm) Barb
91010-005	3/8" NPT Male x 1/2" (12.7 mm) Barb
91010-033	3/8" NPT Male x 1/4" (6.3 mm) Barb
91010-052	1/4" NPT Male x 1/4" (6.3 mm) Barb

Nylon Barbed Straight

- For use with all Duplex II and 2820 Series (3/8" NPT only) and 2125 Series Pumps (1/4" NPT only).



Part Number	Description
91010-002	3/8" NPT Male x 3/8" (9.5 mm) Barb
91010-004	1/4" NPT Male x 3/8" (9.5 mm) Barb
91010-006	3/8" NPT Male x 1/2" (12.7 mm) Barb
91010-032	3/8" NPT Male x 1/4" (6.3 mm) Barb
91010-053	1/4" NPT Male x 1/4" (6.3 mm) Barb

CONVERSION DATA

TO CONVERT	TO	MULTIPLY BY	TO CONVERT	TO	MULTIPLY BY
BAR	PSI	14.5	KILOGRAMS	Pounds.	2.205
CENTIMETERS	Inches	0.3937	Kilograms	Tons (short)	1.102x10 ⁻³
Centimeters	Feet	0.03280	Kilograms	Grams	10 ³
Centimeters	Meters	0.01	LITERS	Cubic centimeters	10 ³
Centimeters	Millimeters	10	Liters	Cubic feet	0.03531
CUBIC CENTIMETERS	Cubic feet	3.53x10 ⁻⁵	Liters	Cubic inches	61.02
Cubic Centimeters	Cubic inches	6.102x10 ⁻²	Liters	Cubic meters	10 ⁻²
Cubic Centimeters	Cubic meters	10 ⁻⁶	Liters	Cubic yards	1.308x10 ⁻³
Cubic Centimeters	Cubic yards	1.308x10 ⁻⁶	Liters	Gallons	0.2642
Cubic Centimeters	Gallons	2.642x10 ⁻⁴	Liters/min.	Gallons/mins.	0.264
Cubic Centimeters	Liters	10 ⁻³	Liters	Pints (liq.)	2.113
Cubic Centimeters	Pints (liq.)	2.113x10 ⁻³	Liters	Quarts (liq.)	1.057
Cubic Centimeters	Quarts (liq.)	1.057x10 ⁻³	METERS	Centimeters	100
CUBIC FEET	Cubic centimeters	2.832x10 ⁴	Meters	Feet	3.281
Cubic Feet	Cubic inches	1728	Meters	Inches	39.37
Cubic Feet	Cubic meters	0.02832	Meters	Kilometers	10 ⁻³
Cubic Feet	Cubic yards	0.03704	Meters	Millimeters	10 ³
Cubic Feet	Gallons U.S.	7.48052	Meters	Yards	1.094
Cubic Feet	Imperial Gallons	6.23	MILLIMETERS	Centimeters	0.1
Cubic Feet	Liters	28.32	Millimeters	Inches	0.03937
Cubic Feet	Pints (liq.)	59.84	POUNDS/SQ. INCH	Atmospheres	0.06804
Cubic Feet	Quarts (liq.)	29.92	Pounds/Sq. Inch	Feet of Water	2.307
CUBIC INCHES	Cubic centimeters	16.39	Pounds/Sq. Inch	Inches of Mercury	2.036
Cubic inches	Cubic feet	5.787x10 ⁻⁴	Pounds/Sq. Inch	Kgs. sq. cm.	0.07031
Cubic inches	Cubic meters	1.639x10 ⁻⁵	Pounds/Sq. Inch	Bars	0.06895
Cubic inches	Cubic yards	2.143x10 ⁻⁵			
Cubic inches	Gallons	4.329x10 ⁻³			
Cubic inches	Liters	1.639x10 ⁻²			
Cubic Inches	Pints (liq.)	0.03463			
Cubic Inches	Quarts (liq.)	0.01732			
FEET	Centimeters	30.48			
Feet	Inches	12			
Feet	Meters	0.3048			
Feet	Yards	1/3			
GALLONS, U.S.	Cubic centimeters	3785			
Gallons, U.S.	Cubic feet	0.1337			
Gallons, U.S.	Cubic inches	231			
Gallons, U.S.	Cubic meters	3.785x10 ⁻³			
Gallons, U.S.	Cubic yards	4.951x10 ⁻³			
Gallons, U.S.	Fluid ounces	128			
Gallons, U.S.	Liters	3.785			
Gallons, U.S.	Pints (liq.)	8			
Gallons, U.S.	Quarts (liq.)	4			
Gallons, U.S.	Imperial gallons	0.83267			
GALLONS (IMP)	U.S. gallons	1.20095			
GALLONS, U.S.	Pounds of water	8.3453			
Gallons, U.S.	Kilograms	3.785			
GALLONS/MIN	Cubic feet/sec.	2.228x10 ⁻³			
Gallons/Min.	Liters/sec.	0.06308			
Gallons/Min.	Liters/Min.	3.785			
Gallons/Min.	Cu. ft. hr.	8.0208			
GRAMS	Dynes	980.7			
Grams	Grains	15.43			
Grams	Kilograms	10 ⁻³			
Grams	Milligrams	10 ³			
Grams	Ounces	0.03527			
Grams	Ounces (troy)	0.03215			
Grams	Pounds	2.205x10 ⁻³			
INCHES	Centimeters	2.540			
Inches	Millimeters	25.4			
Inches	Meters	0.0254			
Inches	Feet	0.0833			
INCHES OF MERCURY	Kgs./sq. cm.	0.03453			
Inches of Mercury	Lbs./sq. ft.	70.73			
Inches of Mercury	Lbs./sq. inch	0.4912			

TEMPERATURE CONVERSION

TEMPERATURE CONVERSION FOR FAHRENHEIT AND CENTIGRADE SCALES	
DEGREES FAHRENHEIT	DEGREES CENTIGRADE
+212°F	+100°C
+203	+95
+194°F	+90°C
+185	+85
+176°F	+80°C
+167	+75
+158°F	+70°C
+149	+65
+140°F	+60°C
+131	+55
+122°F	+50°C
+113	+45
+104°F	+40°C
+95	+35
+86°F	+30°C
+77	+25
+68°F	+20°C
+59	+15
+50°F	+10°C
+41	+5
+32°F	0°C
+23	-5
+14°F	-10°C
+5	-15
-4°F	-20°C
-13	-25
-22°F	-30°C
-31	-35
-40°F	-40°C



ITT - Flojet has maintained a strong development and new product introduction pace to meet the challenge of satisfying our customers' evolving market needs ... products that can be purchased with the same high degree of confidence that buyers have placed in our products for over 30 years.



motralec
4 rue Lavoisier . ZA Lavoisier . 95223 HERBLAY CEDEX
Tel. : 01.39.97.65.10 / Fax. : 01.39.97.68.48
Demande de prix / e-mail : service-commercial@motralec.com
www.motralec.com