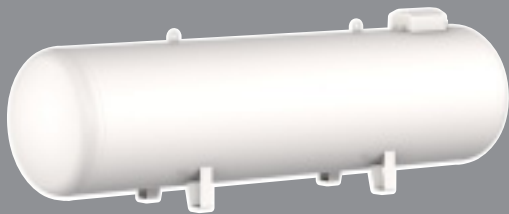
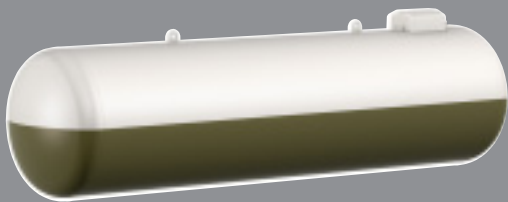


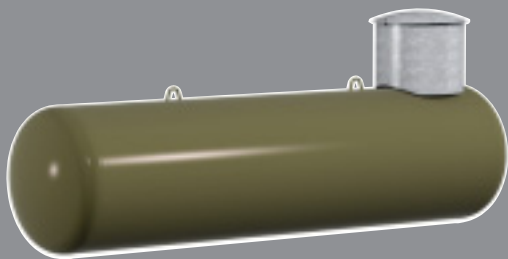
DESIGN
MANUFACTURE
SUPPLY



ABOVE GROUND



SEMI SUBMERGED



BELOW GROUND

LIQUID PETROLEUM GAS TANKS

◆ CONTENTS	PAGE
◆ Specialist for liquid petroleum gas tanks	2/3
◆ Production and quality	4/5
◆ Heavy-duty and liquid gas tanks	6
◆ Standard range	7



Flamco

Copyright Flamco UK Limited. No part of this publication may be reproduced in any way without the express permission of the copyright holder and notification of the source. The requirements listed apply solely to use of Flamco products. Flamco accepts no liability whatsoever for improper use, application or interpretation of the technical data. All rights reserved.

Please refer to the Flamco UK Limited Terms and Conditions of Sale.

motralec

4 rue Lavoisier . ZA Lavoisier . 95223 HERBLAY CEDEX
Tel. : 01.39.97.65.10 / Fax. : 01.39.97.68.48

Demande de prix / e-mail : service-commercial@motralec.com

www.motralec.com

18501855



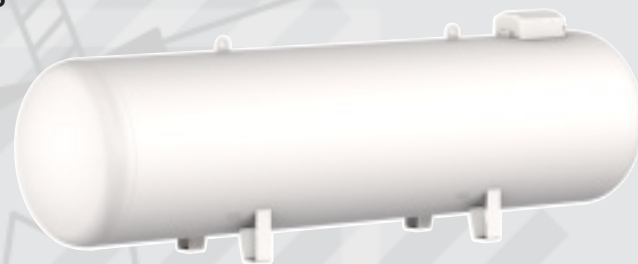
Flamco



Flamco

Liquid Petroleum Gas tanks

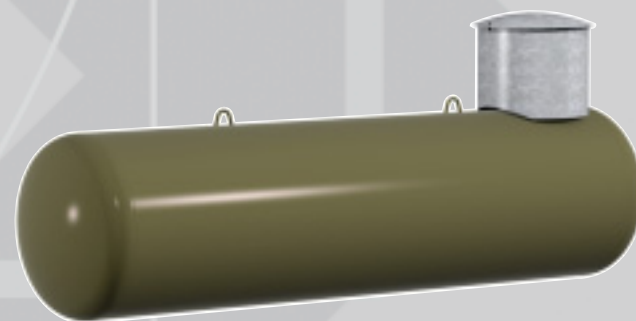
DESIGN
MANUFACTURE
SUPPLY



ABOVE GROUND



SEMI SUBMERGED



BELOW GROUND



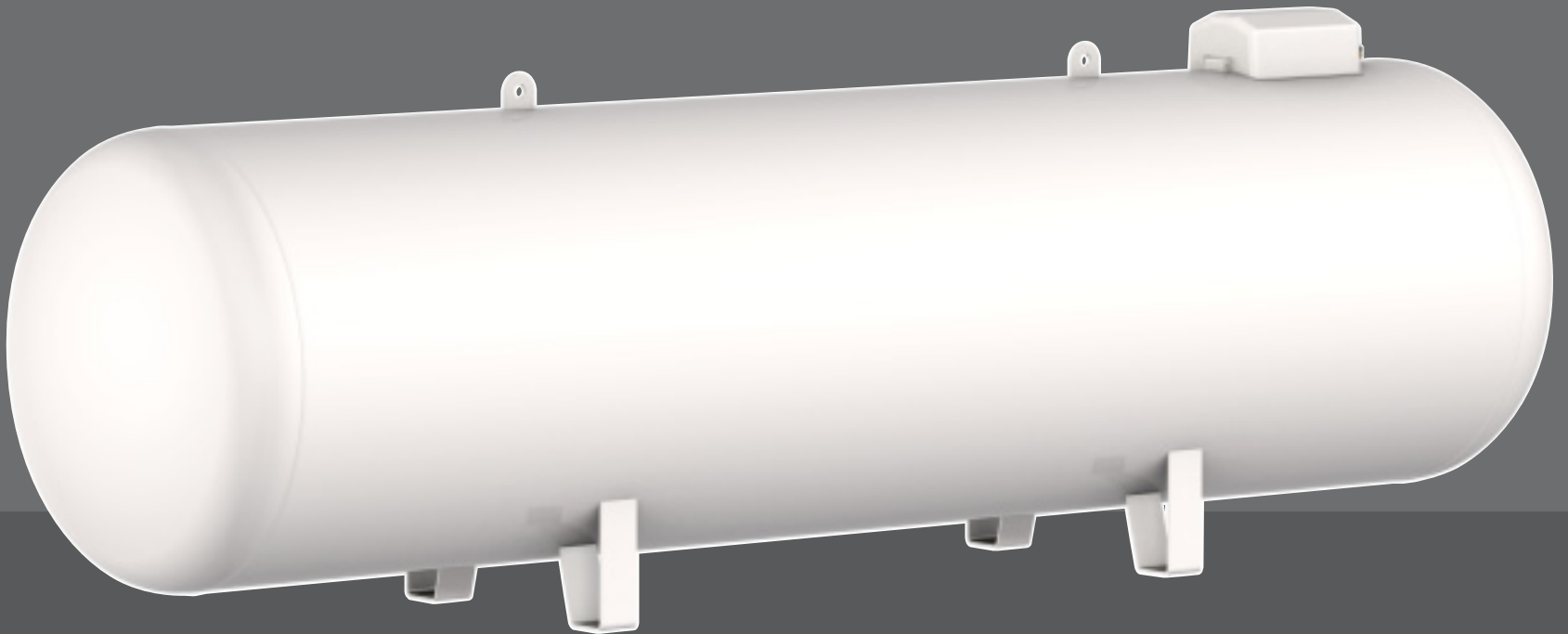
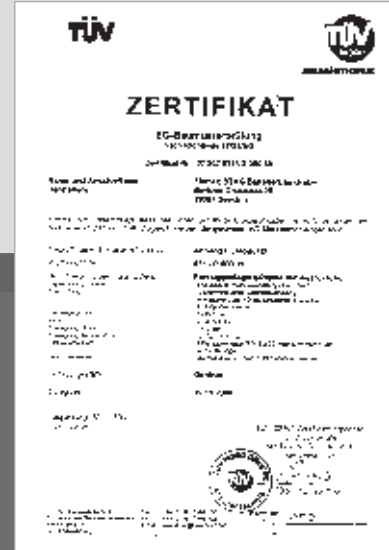
Flamco



Flamco

Flamco: International specialist for liquid petroleum gas tanks

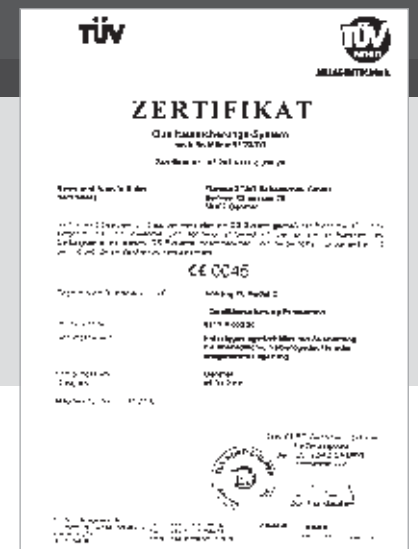
The Flamco Group manufactures high specification vessels and accessories for many sectors of industry, of which the storage of liquid petroleum gas is the fastest growing market. Flamco prides itself in offering a complete service where advice, quality and flexibility in design are the foundations of success.



Above ground storage tank for liquid petroleum gas to EN 12542

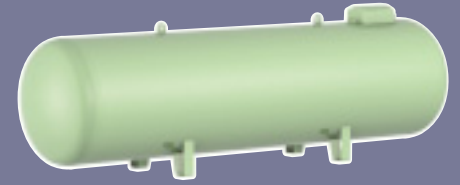
FLAMCO PROVIDE THE FOLLOWING SERVICES:

- ◆ Design and production of new liquid petroleum gas tanks.
- ◆ Conversion and refurbishment of used tanks.
- ◆ Production of custom tanks to exacting specifications.



1. Production plant, St Helens

2. Production plant, Genthin



FLAMCO STAG
LIQUID PETROLEUM GAS TANKS

Based in Germany Flamco STAG has over 50 years experience in manufacturing tanks. STAG joined the Flamco Group in 1994, continues to evolve its manufacturing methods of specialist products, resulting in a modern efficient organisation with a diverse range of high quality products.

The Flamco Group has facilities worldwide with its own production plants in Germany, the Netherlands, the United Kingdom and China.

Flamco Group sales organisations are established in Germany, Switzerland, Poland, Denmark, Sweden, the Netherlands, Belgium, France, the United Kingdom and China and is represented by associates on every continent.



◀ **Your requirements, our solutions**

As a solution provider, Flamco STAG are pleased to be involved at any stage from concept to installation.

▲ **Design and Production**

Our experienced team of design and production engineers ensure the satisfactory delivery of each and every customer requirement.

Flamco is committed to providing the very best service.



Flamco

Computer aided design and manufacturing with a robust quality assurance system

Using the very latest production methods, Flamco manufacture liquid petroleum gas tanks of all types and sizes.

Flamco supply above ground liquid petroleum gas tanks to DIN EN 12542, up to 13 m³, and below ground liquid petroleum gas tanks to DIN EN 14075 up to 13 m³ as standard. Our tanks comply with modules B and D of the Pressure Equipment Directive (97/23/EC, CE-mark). The quality assurance system complies with DIN EN ISO 9001:2000 for the development and manufacture of pressure/storage tank systems.



1.



Internal tank safety valve (anti-vacuum valve), with plastic protective cap. Internal thread, 1" NPT, external thread, M 48 x 1.5.



- A.** Computer aided welding of 'standard' tanks.
- B.** Production facility for custom tanks.
- C.** Shell rolling.

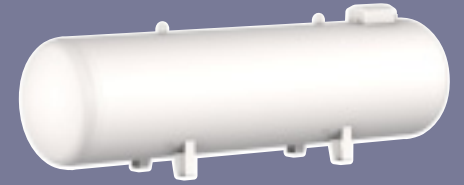




Name plate riveted to tank.

Three point hoisting for inspection access.

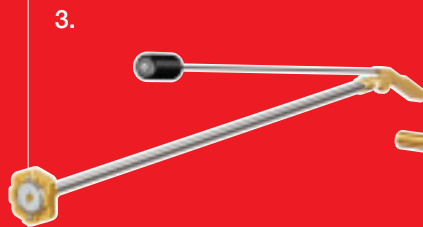
Reglerhaltung?????



FLAMCO STAG
LIQUID PETROLEUM GAS TANKS



2. Liquid drain valve. Internal thread $\frac{3}{4}$ " NPT, external thread $\frac{3}{4}$ " NPT.



3. Level indicator for stationary tank, with plastic cap. Connector: brass flange with flange seal.



4. Gas drain point, overflow safeguard with limit indicator and pressure gauge. Internal thread $\frac{3}{4}$ " NPT, external thread 0.885 NGO.



5. Filler valve with hinged non-return valve and brass protective cap. Internal thread $1\frac{1}{4}$ " NPT, external thread $1\frac{3}{4}$ " ACME.



Above ground installations



Below ground installations



Semi submerged installations

For above ground installations

The liquid petroleum gas tank can be set up on any suitable ground. Any simple, pre-fabricated concrete slab is sufficient as a base.

For below ground installations

This configuration offers the best protection against outside influences, with a high-quality anti-corrosion epoxy-resin coating

For semi submerged installations

A compromise between the two other installations, where the lower half of the tank has a high-quality anti-corrosion epoxy-resin coating.

There are no compromises with liquid petroleum gas tanks from Flamco.



Flamco

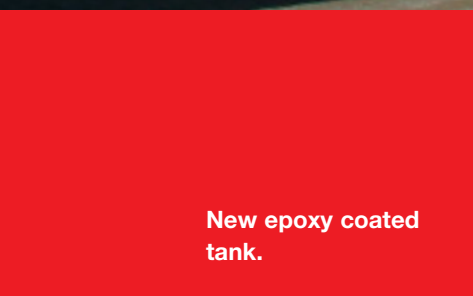
Flamco custom tanks

Flamco provides special tanks of all types up to a volume of 100 m³, for the storage or supply (filling stations) of liquid petroleum gas. New tanks are produced to the precise requirements of each customer / project. Additionally, Flamco offers a refurbishment / modification facility for existing tanks.



Overhauled custom tank with bitumen coating.

New bitumen coated tank.



New epoxy coated tank.



Flamco: delivering custom solutions



Above Ground

Cylindrical steel tanks to DIN EN 12542, complete with welded feet, protective coating, safety, filling and control gauges, gas drain gauge with overflow safeguard, contents gauge and dome shaft all as per regulations. All supplied sealed and tested.

Below Ground

Cylindrical steel tanks to DIN EN 14075, complete with protective coating, safety, filling and control gauges, gas drain gauge (protected with a lockable dome) with overflow safeguard, and contents gauge. All supplied sealed and tested.

Semi submerged

Cylindrical steel tanks to DIN 4680 part 2, complete with gauges, protective coating, eye-line protective coating, safety, filling and control gauges, gas drain gauge (protected with a lockable dome) with overflow safeguard, and contents gauge all as per regulations. All supplied sealed and tested.

Above ground liquid petroleum gas tanks

Nominal capacity in litres	D in mm	L in mm	Weight in kg	Capacity in kg
990	800	2170	260	440
2700	1250	2480	530	1200
4850	1250	4280	800	2100
6400	1250	5500	1100	2900
12990	1600	6880	2800	5750

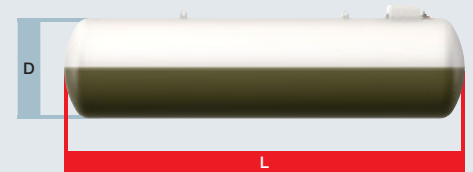
Protection against external corrosion
 - Shot blasted to DIN 55928 part 4, grade Sa 2½.
 - Colour coating, RAL 9010 / 6019, min. coating thickness 120 µm.



Semi submerged liquid petroleum gas tanks

Nominal capacity in litres	D in mm	L in mm	Weight in kg	Capacity in kg
990	800	2170	260	440
2700	1250	2480	530	1200
4850	1250	4280	800	2100
6400	1250	5500	1100	2900
12990	1600	6880	2800	5750

Protection against external corrosion
 - Shot blasted to DIN 55928 part 4, grade Sa 2½ for upper part of tank.
 - Primed with coating to DIN 4681 part 3, min. coating thickness 100 µm.
 - Topcoat, RAL 9010 / 6017 / 6019, min. total coating thickness 120 µm for lower part of tank.
 - Coating to DIN 4681 part 3 min. 100 mm above the horizontal tank axis.



Below ground liquid petroleum gas tanks

Nominal capacity in litres	D in mm	L in mm	Weight in kg	Capacity in kg
990	800	2170	260	440
2700	1250	2480	530	1200
4850	1250	4280	800	2100
6400	1250	5500	1100	2900
12990	1600	6880	2800	5750

Protection against external corrosion
 - Shot blasted to DIN 55928 part 4, grade Sa 2½.
 - Outer coating to DIN 4681 part 3.



motralec

4 rue Lavoisier . ZA Lavoisier . 95223 HERBLAY CEDEX
 Tel. : 01.39.97.65.10 / Fax. : 01.39.97.68.48
 Demande de prix / e-mail : service-commercial@motralec.com
www.motralec.com