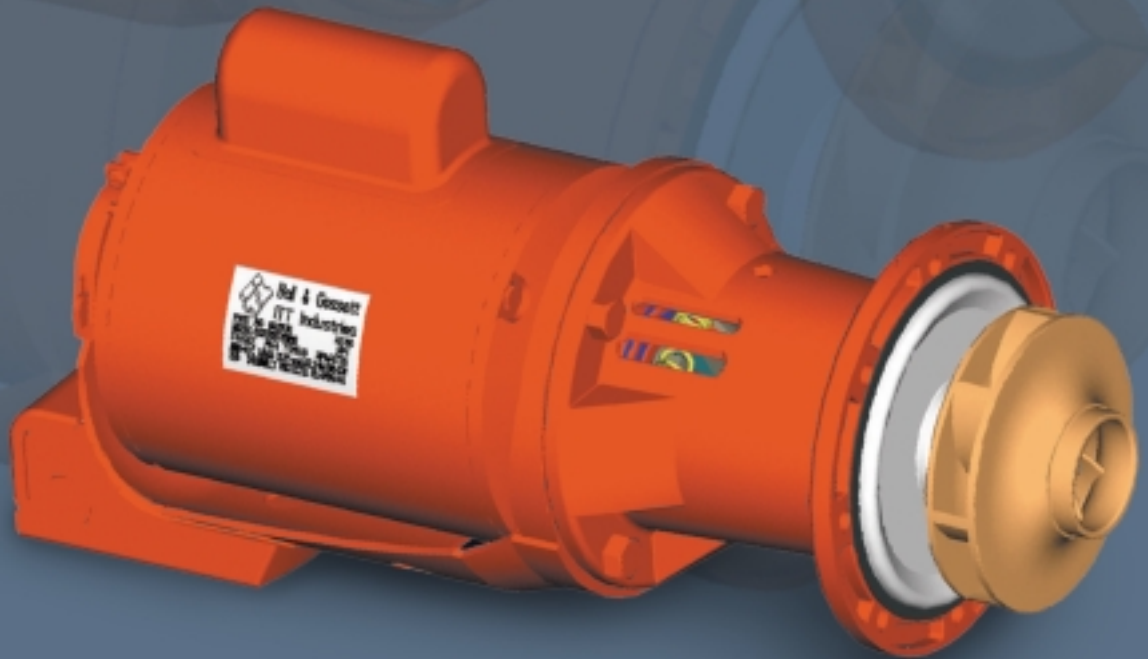




Introducing the NEW, MAINTENANCE-FREE Series 60
Centrifugal Pump for header pump applications.

Series 60 In-Line Mounted Centrifugal Pump



Bell & Gossett

motralec

4 rue Lavoisier . ZA Lavoisier . 95223 HERBLAY CEDEX
Tel. : 01.39.97.65.10 / Fax. : 01.39.97.68.48
Demande de prix / e-mail : service-commercial@motralec.com

www.motralec.com

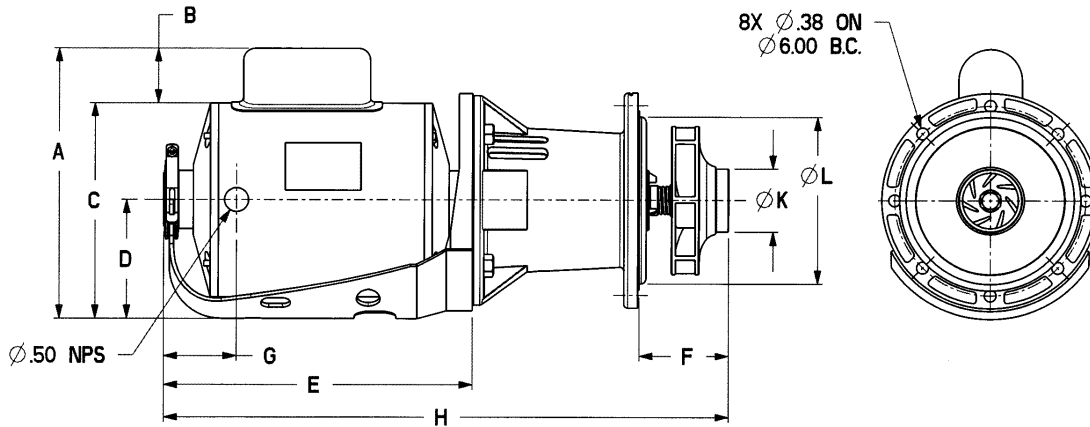


ITT Industries

Engineered for life

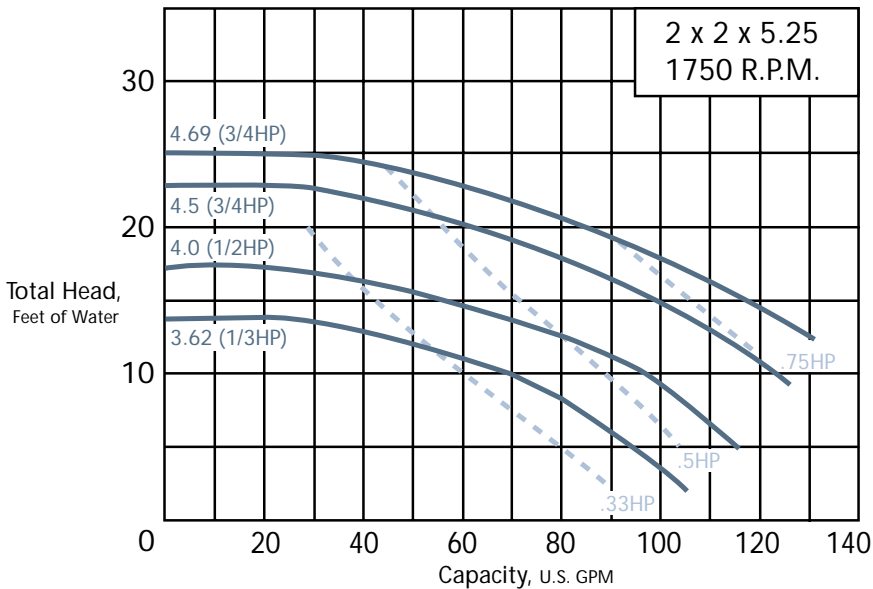
Description

A maintenance-free, in-line, cast iron centrifugal pump for header pump applications.



Mtr HP	A	B	C	D	E	F	G	H	K	L
1/3 HP	8.56	2.25	6.81	3.75	8.8	2.88	1.88	14	1.99	5.28
1/2 HP	8.56	2.25	6.81	3.75	9.8	2.88	1.88	15	1.99	5.28
3/4 HP	8.56	2.25	6.81	3.75	9.8	2.88	1.88	15	1.99	5.28

Performance Characteristic Curve



Product Features

- Maintenance-free pump
- Internally self-flushing mechanical seal
- XLII® lubrication system
- Three-year warranty*
- Factory test
- ISO 9001 Certified
- EPDM coupling

Volts _____, Encl. _____
Special _____

Specifications

_____ GPM _____ FT.

Materials of Construction

Impeller	Cast Bronze
Shaft	Alloy Steel
Shaft Sleeve	Copper Alloy
Bracket	Cast Iron with Stainless Steel Face Plate
Mechanical Seal	Buna/Carbon - Ceramic (Standard) (-20°F to 225°F)

Operating Data

Maximum working pressure175 psi
Operating temperature225°F

* Materials and workmanship only.

Bell & Gossett

motralec

4 rue Lavoisier . ZA Lavoisier . 95223 HERBLAY CEDEX
Tel. : 01.39.97.65.10 / Fax. : 01.39.97.68.48

Demande de prix / e-mail : service-commercial@motralec.com

www.motralec.com



ITT Industries
Engineered for life