



# 3800 Series Single Stage End Suction Pumps

- Capacities to 4200 G.P.M. (954 m<sup>3</sup>/hr)
- Heads to 520 Feet (180 Meters)
- Temperatures to 300°F (149°C)



MODEL 3804

motralec

4 rue Lavoisier . ZA Lavoisier . 95223 HERBLAY CEDEX  
Tel. : 01.39.97.65.10 / Fax. : 01.39.97.68.48

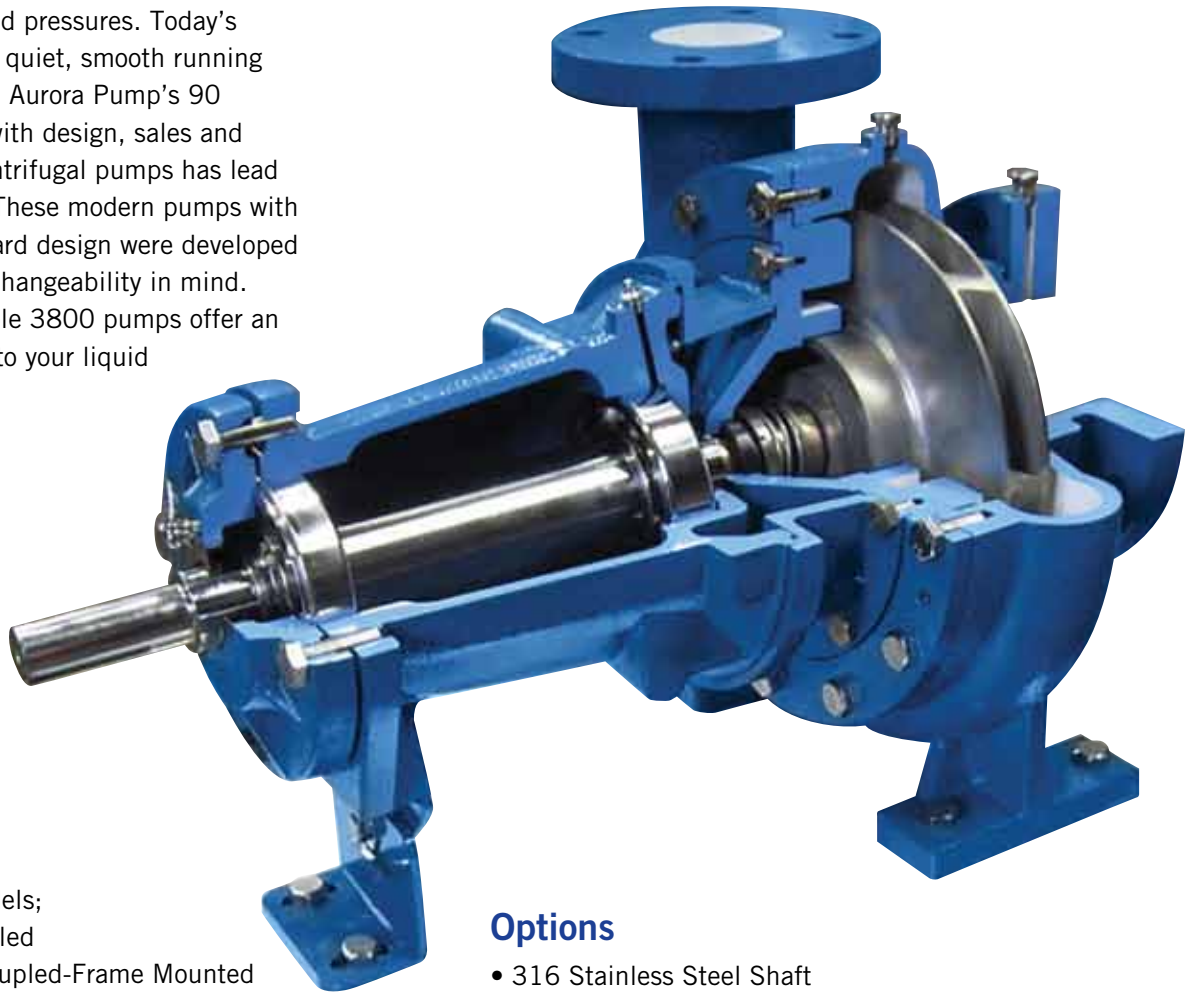
Demande de prix / e-mail : [service-commercial@motralec.com](mailto:service-commercial@motralec.com)

[www.motralec.com](http://www.motralec.com)

# Aurora 3800 Pump

## Setting New Standards of Efficiency

Liquid handling requirements are much more involved than they were years ago. The variety of liquids being handled has increased along with temperatures and pressures. Today's installations demand quiet, smooth running pumps with long life. Aurora Pump's 90 years of experience with design, sales and manufacturing of centrifugal pumps has led to the 3800 Series. These modern pumps with a clean, straightforward design were developed with maximum interchangeability in mind. Aurora's highly reliable 3800 pumps offer an economical solution to your liquid handling problems.



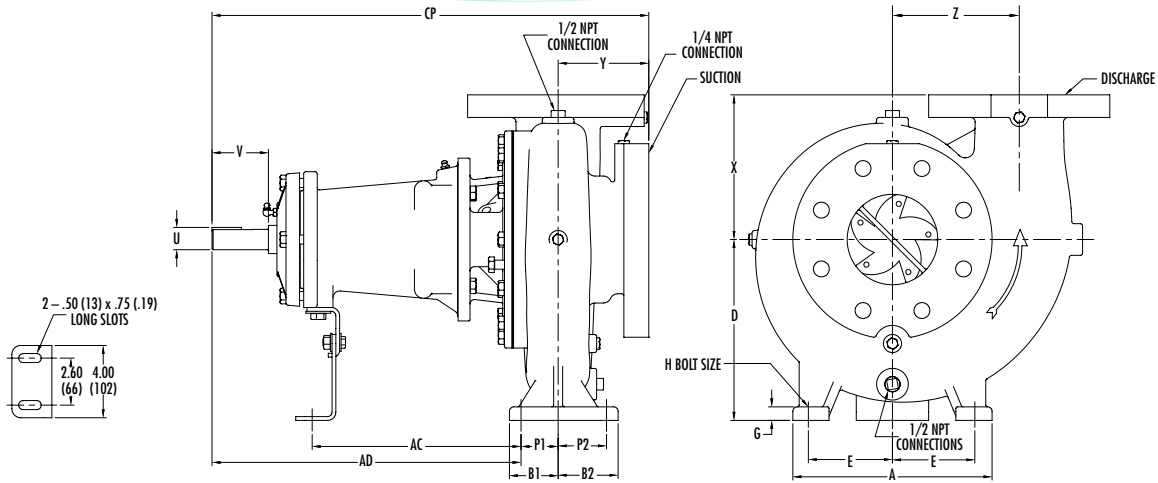
## Features

- Offered in two models;
  - 3801 Close Coupled
  - 3804 Flexible Coupled-Frame Mounted
- 316 Stainless Steel Impeller
- Double volute on 4" discharge and larger to reduce bearing loads
- Gauge taps on suction and discharge on flanged models
- 4 Power Frame sizes
- Casing feet for easy back pullout
- Regreasable bearings (3804 only)
- Coupling Guard (Flex Coupled design)
- Formed Steel Base (Flex Coupled design)

## Options

- 316 Stainless Steel Shaft
- 316 Stainless Steel Shaft Sleeve
- Drip Rim base
- Drip Pan (3804 only)
- Flush Lines
- Epoxy coating
- Several Mechanical Seal options
- Oil Lube Bearings (Flex Coupled Only)
- Case Wear Ring

# 3800 Pump End Only Product Offering



Pump Size	Disch	Suct	D	X	Y	Z	P1	P2	B1	B2	G	H	E	A	AC	AD	CP	U	V	Key
1.25x1.5x7S (NPT)	1.25	1.5	7.00 (178)	5.00 (127)	3.25 (083)	4.50 (114)	1.38 (035)	1.63 (041)	2.38 (060)	2.63 (067)	0.63 (016)	0.44 (011)	3.25 (083)	8.00 (203)	13.69 (348)	14.69 (373)	17.81 (452)	0.88 (022)	2.13 (054)	.19(5) SQ. x 1.38(35) LNG
1.5x2x7S (NPT)	1.5	2	7.00 (178)	6.00 (152)	3.13 (079)	4.63 (117)	1.44 (037)	1.56 (040)	2.44 (062)	2.56 (065)	0.63 (016)	0.44 (011)	3.25 (083)	8.00 (203)	14.00 (356)	15.00 (381)	18.13 (460)	0.88 (022)	2.13 (054)	.19(5) SQ. x 1.38(35) LNG
1.5x2x11S (NPT)	1.5	2	8.00 (203)	9.00 (229)	3.13 (079)	5.75 (146)	1.44 (037)	2.94 (075)	2.25 (057)	3.75 (095)	0.69 (017)	0.44 (011)	4.56 (116)	11.00 (279)	13.94 (354)	14.94 (379)	18.06 (459)	0.88 (022)	2.13 (054)	.19(5) SQ. x 1.38(35) LNG
1.5x2x11L (NPT)	1.5	2	8.00 (203)	9.00 (229)	3.13 (079)	5.75 (146)	1.44 (037)	2.94 (075)	2.25 (057)	3.75 (095)	0.69 (017)	0.44 (011)	4.56 (116)	11.00 (279)	17.06 (433)	18.06 (459)	22.56 (573)	1.13 (029)	3.13 (079)	.25(6) SQ. x 1.75(45) LNG
1.5x2x12S (NPT)	1.5	2	10.00 (254)	7.75 (197)	2.75 (070)	5.75 (146)	1.94 (049)	2.19 (056)	2.87 (073)	3.75 (095)	0.69 (017)	0.44 (011)	4.56 (116)	11.00 (279)	13.75 (349)	14.75 (375)	17.88 (454)	0.88 (022)	2.13 (054)	.19(5) SQ. x 1.38(35) LNG
2x2.5x7S	2	2.5	7.00 (178)	6.50 (165)	3.50 (089)	4.75 (121)	1.56 (040)	1.44 (037)	2.56 (065)	2.44 (062)	0.63 (016)	0.44 (011)	3.25 (083)	8.00 (203)	14.56 (370)	15.56 (395)	18.69 (475)	0.88 (022)	2.13 (054)	.19(5) SQ. x 1.38(35) LNG
2x2.5x9.5S	2	2.5	8.00 (203)	7.00 (178)	4.00 (102)	5.88 (149)	1.56 (040)	2.81 (071)	2.38 (060)	3.63 (092)	0.69 (017)	0.44 (011)	4.56 (116)	11.00 (279)	14.94 (379)	15.94 (405)	19.06 (484)	0.88 (022)	2.13 (054)	.19(5) SQ. x 1.38(35) LNG
2x2.5x9.5L	2	2.5	8.00 (203)	7.00 (178)	4.00 (102)	5.88 (149)	1.56 (040)	2.81 (071)	2.38 (060)	3.63 (092)	0.69 (017)	0.44 (011)	4.56 (116)	11.00 (279)	17.75 (451)	18.75 (476)	23.25 (591)	1.13 (029)	3.13 (079)	.25(6) SQ. x 1.75(45) LNG
2.5x3x7S	2.5	3	7.00 (178)	6.00 (152)	4.25 (108)	4.69 (120)	1.63 (041)	1.38 (035)	2.63 (067)	2.38 (060)	0.63 (016)	0.44 (011)	3.25 (083)	8.00 (203)	15.25 (387)	16.25 (413)	19.38 (492)	0.88 (022)	2.13 (054)	.19(5) SQ. x 1.38(35) LNG
2.5x3x9.5S	2.5	3	8.00 (203)	6.75 (171)	4.00 (102)	6.00 (152)	1.63 (041)	2.75 (070)	2.44 (062)	3.56 (090)	0.69 (017)	0.44 (011)	4.56 (116)	11.00 (279)	15.13 (384)	16.13 (410)	19.25 (489)	0.88 (022)	2.13 (054)	.19(5) SQ. x 1.38(35) LNG
2.5x3x9.5L	2.5	3	8.00 (203)	6.75 (171)	4.00 (102)	6.00 (152)	1.63 (041)	2.75 (070)	2.44 (062)	3.56 (090)	0.69 (017)	0.44 (011)	4.56 (116)	11.00 (279)	17.88 (454)	18.88 (479)	23.38 (594)	1.13 (029)	3.13 (079)	.25(6) SQ. x 1.75(45) LNG
2X3X11S◆	2	3	10.00 (254)	8.00 (203)	5.50 (140)	6.50 (165)	2.23 (057)	2.77 (070)	3.23 (082)	3.77 (096)	0.88 (022)	0.50 (013)	7.00 (178)	16.00 (406)	16.13 (410)	17.13 (435)	20.25 (514)	0.88 (022)	2.13 (054)	.19(5) SQ. x 1.38(35) LNG
2X3X11L◆	2	3	10.00 (254)	8.00 (203)	5.50 (140)	6.50 (165)	2.23 (057)	2.77 (070)	3.23 (082)	3.77 (096)	0.88 (022)	0.50 (013)	7.00 (178)	16.00 (406)	19.13 (486)	20.13 (511)	24.63 (625)	1.13 (029)	3.13 (079)	.25(6) SQ. x 1.75(45) LNG

S - denotes small power frame  
L - denotes large power frame  
XL - denoted extra large power frame

#### NOTES:

1. Dimensions are approximate.
2. All dimensions are in inches (mm) and may vary +/- 1/4 (6).
3. Not for construction purposes unless certified.
  - ◆ Available in 250#/125# Flanges
  - Dimensions do not match Bell & Gossett
4. ■ Use Extra Large power frame with impeller diameters larger than 12.5 (318)

# 3800 Pump End Only Product Offering

Pump Size	Disch	Suct	D	X	Y	Z	P1	P2	B1	B2	G	H	E	A	AC	AD	CP	U	V	Key
2X3X13.5L◆	2	3	10.00 (254)	9.00 (229)	5.50 (140)	7.25 (184)	2.00 (051)	3.00 (076)	3.00 (076)	4.00 (102)	0.88 (022)	0.50 (013)	7.00 (178)	16.00 (406)	19.25 (489)	20.25● (514)	24.75● (629)	1.13 (029)	3.13 (079)	.25(6) SQ. x 1.75(45) LNG
2.5X3X13.5L◆	2	3	10.00 (254)	9.00 (229)	6.00 (152)	8.00 (203)	2.00 (051)	3.00 (076)	3.00 (076)	4.00 (102)	0.88 (022)	0.50 (013)	7.00 (178)	16.00 (406)	19.88 (505)	20.88 (530)	25.38 (645)	1.13 (029)	3.13 (079)	.25(6) SQ. x 1.75(45) LNG
3x4x7S	3	4	7.00 (178)	6.00 (152)	4.13 (105)	5.00 (127)	1.69 (043)	1.31 (033)	2.69 (068)	2.31 (059)	0.63 (016)	0.44 (011)	3.25 (083)	8.00 (203)	14.94 (379)	15.94 (405)	19.06 (484)	0.88 (022)	2.13 (054)	.19(5) SQ. x 1.38(35) LNG
3x4x7L	3	4	7.00 (178)	6.00 (152)	4.13 (105)	5.00 (127)	1.69 (043)	1.31 (033)	2.69 (068)	2.31 (059)	0.63 (016)	0.44 (011)	3.25 (083)	8.00 (203)	17.75 (451)	18.75 (476)	23.25 (591)	1.13 (029)	3.13 (079)	.25(6) SQ. x 1.75(45) LNG
3x4x9.5S	3	4	8.00 (203)	7.50 (191)	4.75 (121)	6.13 (156)	1.81 (046)	2.56 (065)	2.69 (068)	3.31 (084)	0.75 (019)	0.44 (011)	4.56 (116)	11.00 (279)	15.63 (397)	16.63 (422)	19.75 (502)	0.88 (022)	2.13 (054)	.19(5) SQ. x 1.38(35) LNG
3x4x9.5L	3	4	8.00 (203)	7.50 (191)	4.75 (121)	6.13 (156)	1.81 (046)	2.56 (065)	2.69 (068)	3.31 (084)	0.75 (019)	0.44 (011)	4.56 (116)	11.00 (279)	18.38 (467)	19.38 (492)	23.88 (606)	1.13 (029)	3.13 (079)	.25(6) SQ. x 1.75(45) LNG
3x4x11S◆	3	4	10.00 (254)	9.50 (241)	5.50 (140)	7.38 (187)	2.44 (062)	2.56 (065)	3.44 (087)	3.56 (091)	0.88 (022)	0.50 (013)	7.00 (178)	16.00 (406)	16.13 (410)	17.13 (435)	20.25 (514)	0.88 (022)	2.13 (054)	.19(5) SQ. x 1.38(35) LNG
3x4x11L◆	3	4	10.00 (254)	9.50 (241)	5.50 (140)	7.38 (187)	2.44 (062)	2.56 (065)	3.44 (087)	3.56 (091)	0.88 (022)	0.50 (013)	7.00 (178)	16.00 (406)	19.13 (486)	20.13● (511)	24.63● (625)	1.13 (029)	3.13 (079)	.25(6) SQ. x 1.75(45) LNG
3x4x13.5L◆	3	4	10.00 (254)	9.50 (241)	5.63 (143)	8.00 (203)	2.13 (054)	2.88 (073)	3.13 (080)	3.88 (098)	0.88 (022)	0.50 (013)	7.00 (178)	16.00 (406)	19.38 (492)	20.38● (518)	24.88● (632)	1.13 (029)	3.13 (079)	.25(6) SQ. x 1.75(45) LNG
4x5x7S◆	4	5	8.00 (203)	7.50 (191)	4.94 (125)	5.75 (146)	2.25 (057)	2.13 (054)	3.06 (078)	2.94 (075)	0.69 (017)	0.44 (011)	4.56 (116)	11.00 (279)	16.00 (406)	17.00 (432)	20.13 (511)	0.88 (022)	2.13 (054)	.19(5) SQ. x 1.38(35) LNG
4x5x7L◆	4	5	8.00 (203)	7.50 (191)	4.94 (125)	5.75 (146)	2.25 (057)	2.13 (054)	3.06 (078)	2.94 (075)	0.69 (017)	0.44 (011)	4.56 (116)	11.00 (279)	18.75 (476)	19.75 (502)	24.25 (616)	1.13 (029)	3.13 (079)	.25(6) SQ. x 1.75(45) LNG
4x5x9.5S	4	5	10.00 (254)	8.00 (203)	5.00 (127)	7.00 (178)	1.88 (048)	2.50 (064)	2.69 (068)	3.31 (084)	0.75 (019)	0.44 (011)	4.56 (116)	11.00 (279)	15.88 (403)	16.88 (429)	20.00 (508)	0.88 (022)	2.13 (054)	.19(5) SQ. x 1.38(35) LNG
4x5x9.5L	4	5	10.00 (254)	8.00 (203)	5.00 (127)	7.00 (178)	1.88 (048)	2.50 (064)	2.69 (068)	3.31 (084)	0.75 (019)	0.44 (011)	4.56 (116)	11.00 (279)	18.63 (473)	19.63 (498)	24.13 (613)	1.13 (029)	3.13 (079)	.25(6) SQ. x 1.75(45) LNG
4x5x11S◆	4	5	10.00 (254)	9.75 (248)	5.56 (141)	7.25 (184)	2.41 (061)	2.94 (075)	3.59 (091)	3.59 (091)	0.88 (022)	0.50 (013)	7.00 (178)	16.00 (406)	16.25 (413)	17.25 (438)	20.38 (518)	0.88 (022)	2.13 (054)	.19(5) SQ. x 1.38(35) LNG
4x5x11L◆	4	5	10.00 (254)	9.75 (248)	5.56 (141)	7.25 (184)	2.41 (061)	2.94 (075)	3.59 (091)	3.59 (091)	0.88 (022)	0.50 (013)	7.00 (178)	16.00 (406)	19.25 (489)	20.25● (514)	24.75● (629)	1.13 (029)	3.13 (079)	.25(6) SQ. x 1.75(45) LNG
4X5X13.5L◆	5	5	11.00 (279)	10.00 (254)	6.00 (152)	8.56 (218)	2.25 (057)	2.75 (070)	3.25 (083)	3.75 (095)	0.88 (022)	0.50 (013)	7.00 (178)	16.00 (406)	19.38 (492)	20.38● (518)	24.88● (632)	1.13 (029)	3.13 (079)	.25(6) SQ. x 1.75(45) LNG
5x6x7S◆	5	6	10.00 (254)	8.50 (216)	5.81 (148)	6.25 (159)	2.81 (071)	1.56 (040)	3.63 (092)	2.38 (060)	0.69 (018)	0.44 (011)	4.56 (116)	11.00 (279)	17.13 (435)	18.13 (460)	21.25 (540)	0.88 (022)	2.13 (054)	.19(5) SQ. x 1.38(35) LNG
5x6x7L◆	5	6	10.00 (254)	8.50 (216)	5.81 (148)	6.25 (159)	2.81 (071)	1.56 (040)	3.63 (092)	2.38 (060)	0.69 (018)	0.44 (011)	4.56 (116)	11.00 (279)	19.88 (505)	20.88 (530)	25.38 (645)	1.13 (029)	3.13 (079)	.25(6) SQ. x 1.75(45) LNG
5x6x9.5S◆	5	6	11.00 (279)	10.00 (254)	6.00 (152)	7.50 (191)	2.19 (056)	2.81 (071)	3.19 (081)	3.19 (081)	0.88 (022)	0.50 (013)	7.00 (178)	16.00 (406)	17.25 (438)	18.25 (464)	21.38 (543)	0.88 (022)	2.13 (054)	.19(5) SQ. x 1.38(35) LNG
5x6x9.5L◆	5	6	11.00 (279)	10.00 (254)	6.00 (152)	7.50 (191)	2.19 (056)	2.81 (071)	3.19 (081)	3.19 (081)	0.88 (022)	0.50 (013)	7.00 (178)	16.00 (406)	20.00 (508)	21.00 (533)	25.50 (648)	1.13 (029)	3.13 (079)	.25(6) SQ. x 1.75(45) LNG
5x6x11L◆	5	6	11.00 (279)	10.50 (267)	5.44 (138)	7.94 (202)	2.59 (066)	2.41 (061)	3.44 (087)	3.56 (091)	0.88 (022)	0.50 (013)	7.00 (178)	16.00 (406)	19.25 (489)	20.25 (514)	24.75 (629)	1.13 (029)	3.13 (079)	.25(6) SQ. x 1.75(45) LNG
5x6x13.5L◆	5	6	12.00 (305)	13.00 (330)	6.00 (152)	9.00 (229)	4.19 (106)	4.81 (122)	5.19 (132)	5.81 (148)	1.00 (025)	0.63 (016)	10.50 (267)	23.00 (584)	19.88 (505)	20.88● (530)	25.38● (645)	1.13 (029)	3.13 (079)	.25(6) SQ. x 1.75(45) LNG
5x6x13.5XL◆	5	6	12.00 (305)	13.00 (330)	6.00 (152)	9.00 (229)	4.19 (106)	4.81 (122)	5.19 (132)	5.81 (148)	1.00 (025)	0.63 (016)	10.50 (267)	23.00 (584)	26.63 (676)	27.63● (702)	33.13● (841)	2.38 (060)	5.50 (140)	.63(16) SQ x 4.00(102) LNG
6x8x9.5L◆	6	8	11.00 (279)	10.50 (267)	7.00 (178)	8.25 (210)	3.13 (079)	1.88 (048)	4.13 (105)	2.88 (073)	0.88 (022)	0.50 (013)	7.00 (178)	16.00 (406)	21.56 (548)	22.56 (573)	27.06 (687)	1.13 (029)	3.13 (079)	.25(6) SQ. x 1.75(45) LNG
6x8x11L◆	6	8	12.00 (305)	11.00 (279)	6.13 (156)	8.47 (215)	4.63 (117)	4.38 (111)	5.63 (143)	5.38 (137)	1.00 (025)	0.63 (016)	10.50 (267)	23.00 (584)	20.31 (516)	21.31 (541)	25.81 (656)	1.13 (029)	3.13 (079)	.25(6) SQ. x 1.75(45) LNG
6x8x13.5XL◆	6	8	12.63● (321)	13.38● (340)	6.50 (165)	9.31 (237)	4.50 (114)	4.50 (114)	5.50 (140)	5.50 (140)	1.00 (025)	0.63 (016)	10.50 (267)	23.00 (584)	27.06 (687)	28.06 (713)	33.56 (852)	2.38 (060)	5.50 (140)	.63(16) SQ x 4.00(102) LNG
8x10x13.5XL◆	8	10	15.00 (381)	14.00 (356)	8.00 (203)	11.00 (279)	4.50 (114)	4.50 (114)	5.50 (140)	5.50 (140)	1.00 (025)	0.63 (016)	10.50 (267)	23.00 (584)	28.38 (721)	29.38 (746)	34.88 (886)	2.38 (060)	5.50 (140)	.63(16) SQ x 4.00(102) LNG

S - denotes small power frame  
L - denotes large power frame  
XL - denoted extra large power frame

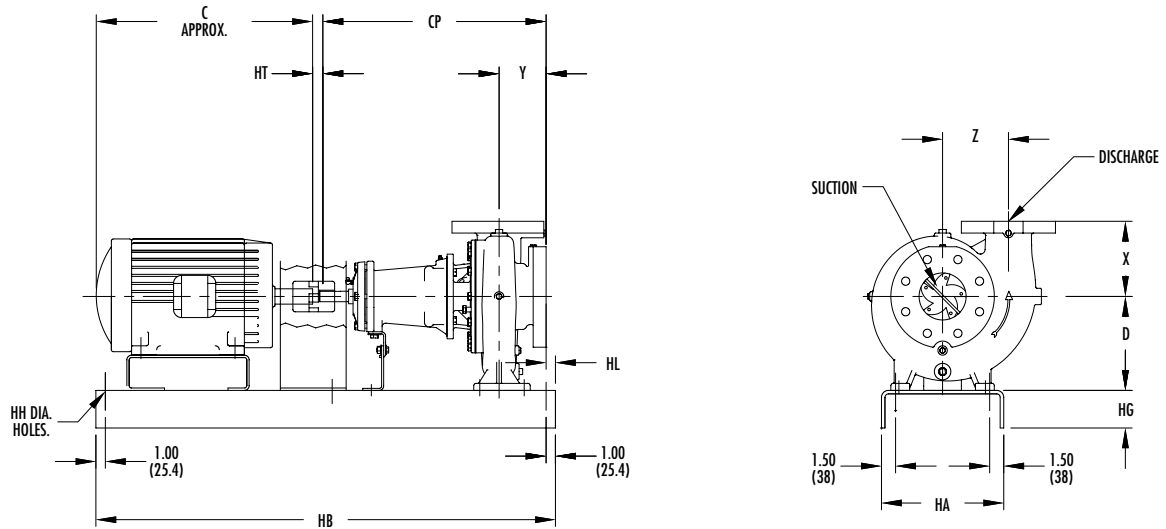
released for production

#### NOTES:

1. Dimensions are approximate.
2. All dimensions are in inches (mm) and may vary +/- 1/4 (6).
3. Not for construction purposes unless certified.  
Available in 250#/125# Flanges  
Dimensions do no match Bell & Gossett
4. ■ Use Extra Large power frame with impeller diameters larger than 12.5 (318)



# 3804 Flexible Coupled Frame Mounted Product Offering



BASE	SIZE	HA	HB	HG	HH
1	12 X 30	12 (305)	30 (762)	3 (76)	0.63 (16)
2	12 X 34	12 (305)	34 (864)	3 (76)	0.63 (16)
3	12 X 38	12 (305)	38 (965)	3 (76)	0.63 (16)
4	13 X 45	13 (330)	45 (1143)	4 (102)	0.75 (19)
S	15 X 48	15 (381)	48 (1219)	3.38 (86)	0.75 (19)
6	18 X 50	18 (457)	50 (1270)	4 (102)	0.75 (19)
7	22 X 54	22 (559)	54 (1372)	4 (102)	0.75 (19)
8	26 X 54	26 (660)	54 (1372)	4 (102)	0.75 (19)
9	15 X 42	15 (381)	42 (1067)	0.38 (10)	0.75 (19)
10	18 X 42	18 (457)	42 (1067)	4 (102)	0.75 (19)
11	22 X 60	22 (559)	60 (1524)	4 (102)	0.75 (19)
12	26 X 60	26 (660)	60 (1524)	4.5 (114)	0.75 (19)
13	26 x 66	26 (660)	66 (1676)	4.5 (114)	0.75 (19)

MOTOR HORSEPOWER AND FRAME DESIGNATION						
HORSEPOWER	3600 RPM		1800 RPM		1200 RPM	
RATING	ODP	TEFC	ODP	TEFC	ODP	TEFC
1/2	56	-	56	56	56	56
3/4	56	56	56	56	56	56
1	56	56	143T	143T	145T	145T
1-1/2	143T	143T	145T	145T	182T	182T
2	145T	145T	145T	145T	184T	184T
3	145T	182T	182T	182T	213T	213T
5	182T	184T	184T	184T	215T	215T
7-1/2	184T	213T	213T	213T	254T	254T
10	213T	215T	215T	215T	256T	256T
15	215T	254T	254T	254T	284T	284T
20	254T	256T	256T	256T	286T	286T
25	256T	284TS	284T	284T	324T	324T
30	284TS	286TS	286T	286T	326T	326T
40	286TS	324TS	324T	324T	364T	364T
50	324TS	326TS	326T	326T	365T	365T
60	326TS	364TS	364TS	364TS	404T	404T
75	364TS	365TS	365TS	365TS	405T	405T
100	365TS	405TS	404TS	405TS	444T	444T
125	404TS	444TS	405TS	444TS	445T	445T
150	405TS	445TS	444TS	445TS	-	-
200	444TS	-	445TS	-	-	-

\*Standard Flanges 125 lb. per ANSI B16.5

\*\*See dimension sheets for additional dimension details.\*\*

## 3800 Casing Working Pressure

With 125 lb flanges: 175 psi (maximum hydrostatic test pressure of 265 psi)

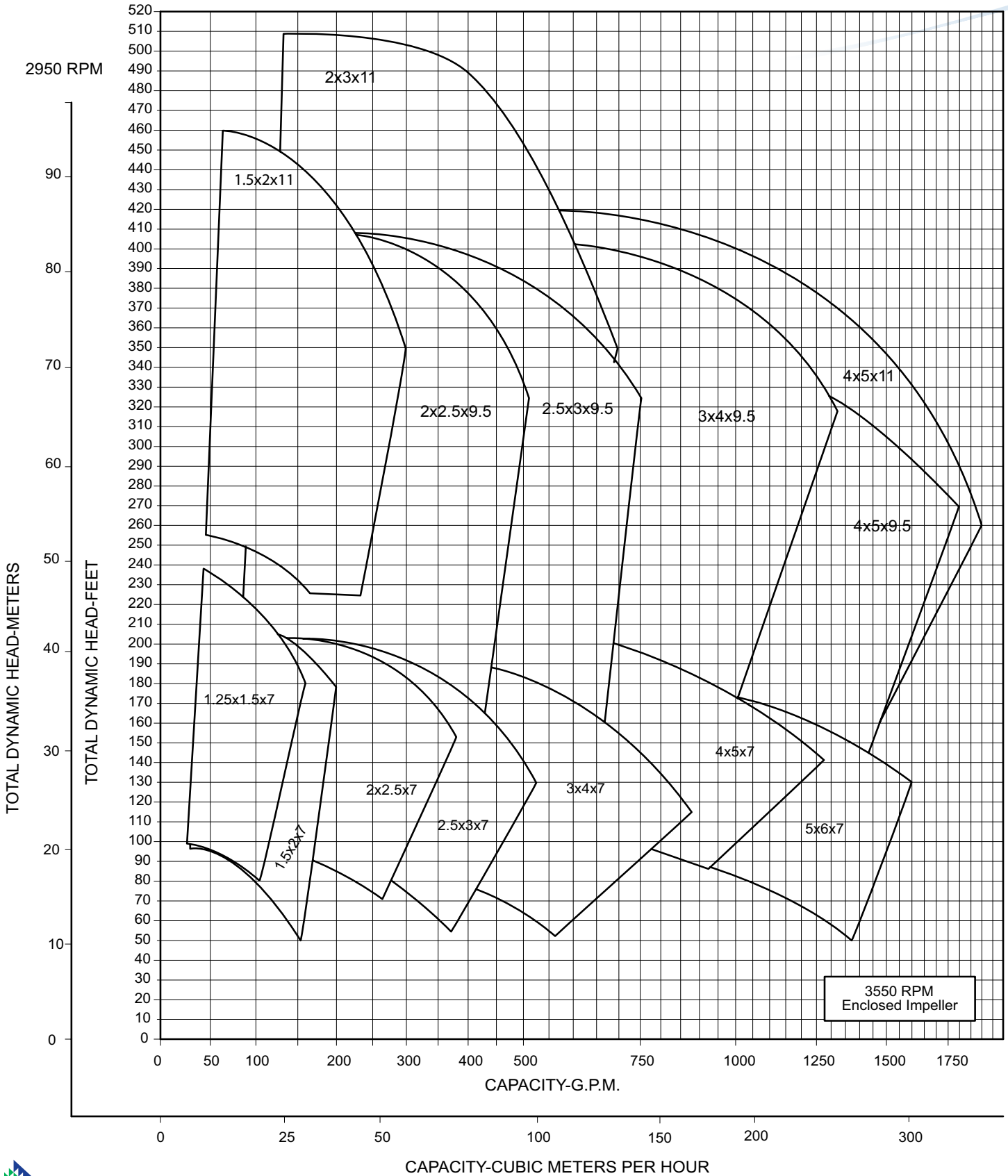
With 250 lb flanges: Allowable total discharge pressure is limited to 1.5 times maximum pump shut off pressure for maximum diameter at highest available speed. Maximum hydrostatic test pressure is limited by the suction flange rating times 1.5 equaling 265 psi.

## NOTES:

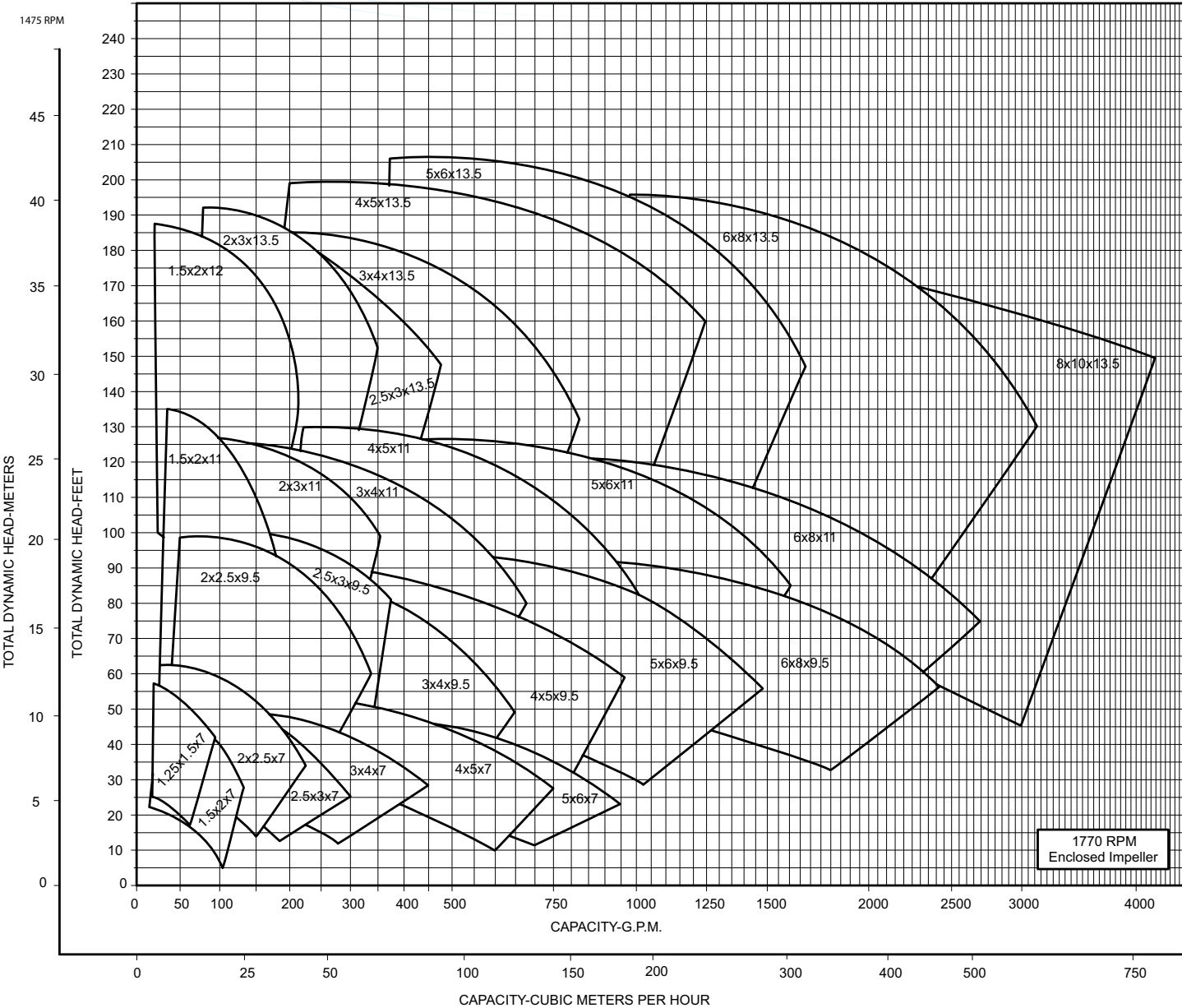
1. Dimensions are approximate.
2. Dimensions are in inches (mm) and may vary  $\pm 1/4$  (6).
3. Conduit box is shown in approximate position. Dimensions are not specified as they vary with each motor manufacturer.
4. Not for construction purposes unless certified.



# 3550 RPM Pump Performance



# 1770 RPM Pump Performance



# Specifications

## 3800 Series Specifications

The contractor shall furnish (and install as shown on the plans) Aurora model (3801 horizontal close coupled) (3804 horizontal flexible coupled) back pull out centrifugal pump size \_\_\_ x \_\_\_ x \_\_\_ of stainless fitted construction.

Each pump shall have a capacity of \_\_\_ GPM at \_\_\_ ft of total head, with a temperature of \_\_\_ F°, \_\_\_ specific gravity. Each pump is to be furnished with a mechanical seal with all metals parts to be 303 stainless steel with “Buna-N” elastomers, Ni-Resist seat, and carbon washer. The unit must be equipped with (bronze) shaft sleeve that extends the length of the seal plate. The pump shaft extension shall be gasket sealed from the pumped liquid. Impellers to be 316 SS, dynamically balanced, and key locked to the shaft.

## Flexible Coupled-Frame Mounted (3804)

Pump and motor are to be mounted on a common fabricated steel base plate. The shaft is to be steel, installed in a cast iron power frame. Pumps shall have a shaft design of .002” deflection at the seal face with the pump running under maximum load condition. Grease ball bearings, have a 3-year minimum life (AFBMA B10) under the maximum condition of load. The pump shall be flexible coupled to a standard horizontal NEMA \_\_\_ HP \_\_\_ phase \_\_\_ Hertz \_\_\_ volts \_\_\_ RPM (open drip proof) (totally enclosed fan cooled) motor. Alignment shall be checked in accordance with the standards of the Hydraulic Institute after installation and there shall be no strain transmitted to be pumps.

## Materials of Construction

Pump Part	Stainless Fitted
Casing	Cast Iron ASTM A48
Impeller	316 Stainless Steel
Seal Plate/Motor Bracket	Cast Iron ASTM A48
Shaft	Steel AISI 1018
Sleeve	Bronze ASTM B62
Power Frame (3344) (Small, Large or X-Large)	Cast Iron ASTM A48
Mechanical Seal	303 stainless steel metal parts, “Buna-N” elastomer parts, Ni-Resist seat and carbon washer

## Design Details

Area	Description	Power Frame			
		1	2	3	21A
Pump Shaft	Rotation—from driver end	CW	CW	CW	CW
	Diameter at impeller	0.88	1.25	1.25	1.63
	Diameter at shaft sleeve	1	1.38	1.38	2.75
	Diameter between bearings	1.38	1.94	2.38	3.25
	Diameter at coupling end	0.88	1.13	1.13	2.38
	Coupling key—square	0.19	0.25	0.25	0.63
	Max. deflection at seal face	0.002	0.002	0.002	0.002
Ball Bearings	Bearing (inboard radial)	206K	308K	310K	313
	Bearing (outboard thrust)	206KG	308KG	310KG	5313
	Bearing centers	5.69	7.69	7.69	9.63
	Bearing type	Ball	Ball	Ball	Ball
	Min B10 bearing life under maximum load	3 years	3 years	3 years	3 years
Sleeve	Outside diameter of sleeve 340A series	1.13	1.50	1.50	2

— Your Authorized Local Distributor —

**motralec**

4 rue Lavoisier . ZA Lavoisier . 95223 HERBLAY CEDEX  
Tel. : 01.39.97.65.10 / Fax. : 01.39.97.68.48  
Demande de prix / e-mail : [service-commercial@motralec.com](mailto:service-commercial@motralec.com)  
[www.motralec.com](http://www.motralec.com)



A-02-1049 09.10