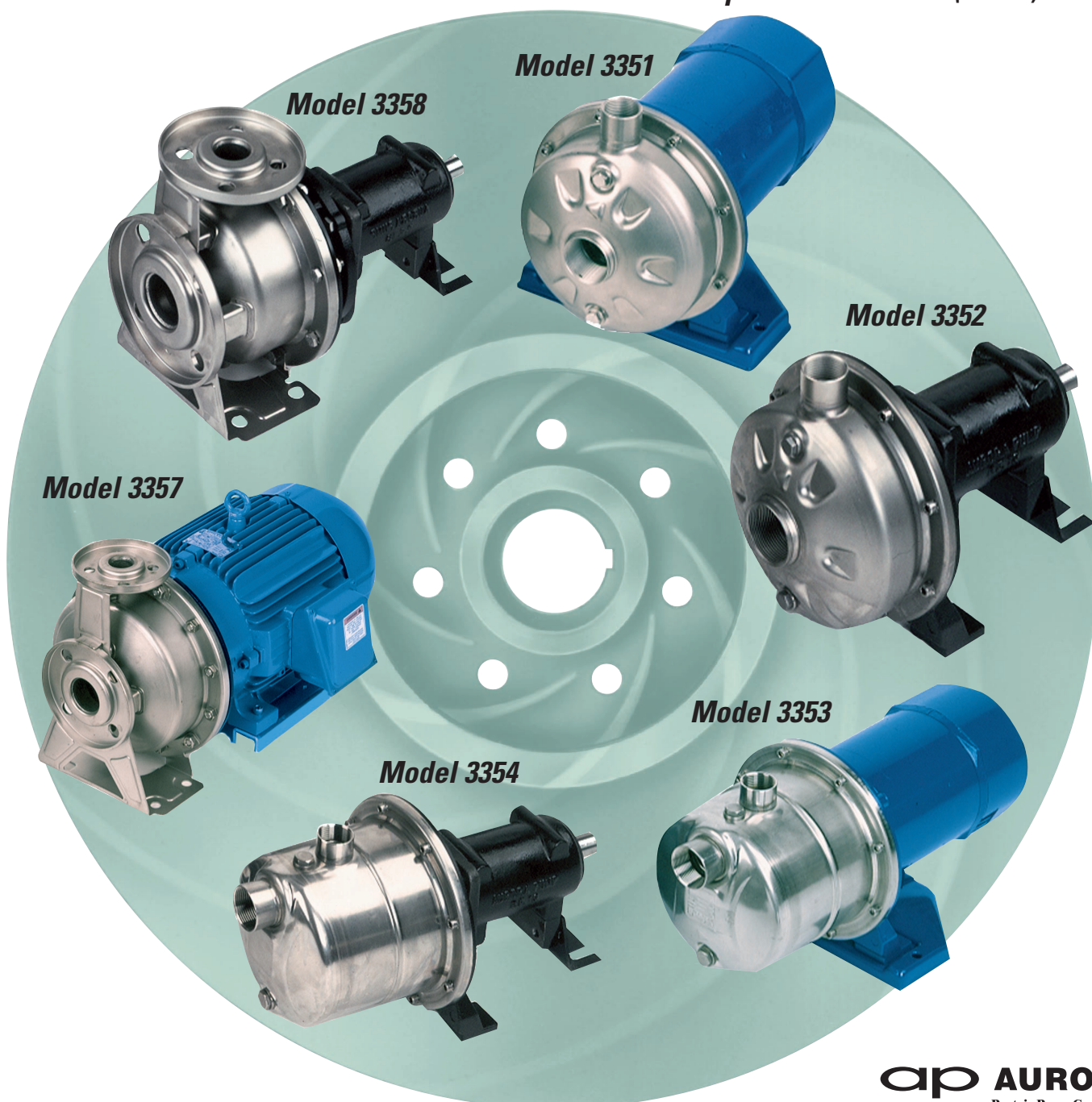


3350 Series Stainless Steel End Suction Pumps

- Capacities to 380 G.P.M. (86 M³/HR)
- Heads to 285 Feet (87 Meters)
- Temperatures to 250°F (120°C)



ap AURORA®
Pentair Pump Group

motralec

4 rue Lavoisier . ZA Lavoisier . 95223 HERBLAY CEDEX

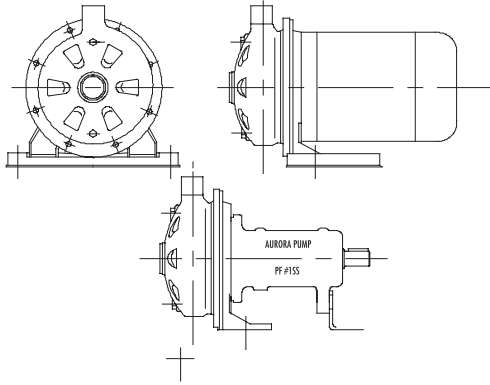
Tel. : 01.39.97.65.10 / Fax. : 01.39.97.68.48

Demande de prix / e-mail : service-commercial@motralec.com

www.motralec.com

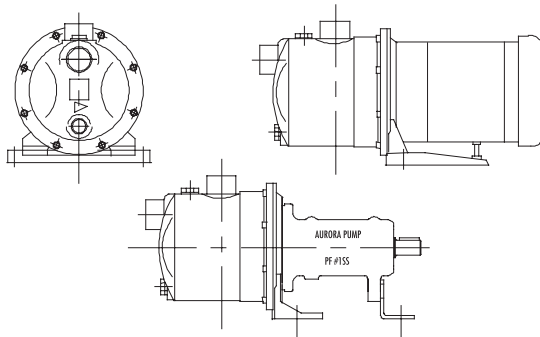
Aurora 3350 Stainless Steel End Suction Pumps

Versatility in pumping. The variety of liquids being handled today requires new materials and construction to handle new challenges. The Aurora Model 3350 line of pumps provides this flexibility with all Stainless Steel Construction built around industry proven Jet Shaft or JM Shaft pump motors.



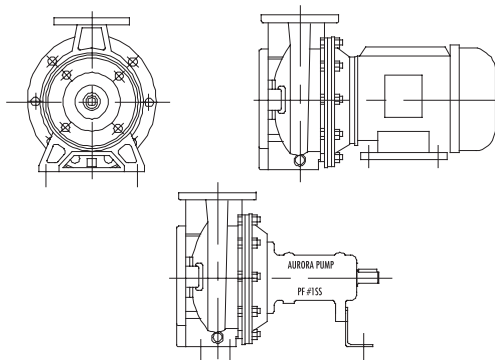
Model 3351 and 3352

- All Wetted Stainless Steel Construction for maximum corrosion resistance.
- Jet shaft motor design with Stainless Steel Shaft.
- Top Center Line casing is self venting.
- O-Ring sealed casings for leak free operation.
- Close Coupled pumps for small foot print using industry standard motors.
- Flex Coupled pumps for maximum motor variety.
- Back Pullout design for easy repair.
- Permanently lubricated bearings in power frame for zero maintenance.



Model 3353 and 3354

- All Wetted Stainless Steel Construction for maximum corrosion resistance.
- Self Priming with 20% Glass Filled Noryl™ (PPO) Ejector and Diffuser.
- Jet shaft motor design with Stainless Steel Shaft.
- Top Center Line casing is self venting.
- O-Ring sealed casings for leak free operation.
- Close Coupled pumps for small foot print using industry standard motors.
- Flex Coupled pumps for maximum motor variety.
- Back Pullout design for easy repair.
- Permanently lubricated bearings in power frame for zero maintenance.



Model 3357 and 3358

- All Wetted Stainless Steel Construction for maximum corrosion resistance.
- JM shaft motor design with Stainless Steel Shaft Sleeve.
- Top Center Line casing is self venting.
- O-Ring sealed casings for leak free operation.
- Close Coupled pumps for small foot print using industry standard motors.
- Flex Coupled pumps for maximum motor variety.
- Back Pullout design for easy repair.
- Permanently lubricated bearings in power frame for zero maintenance.

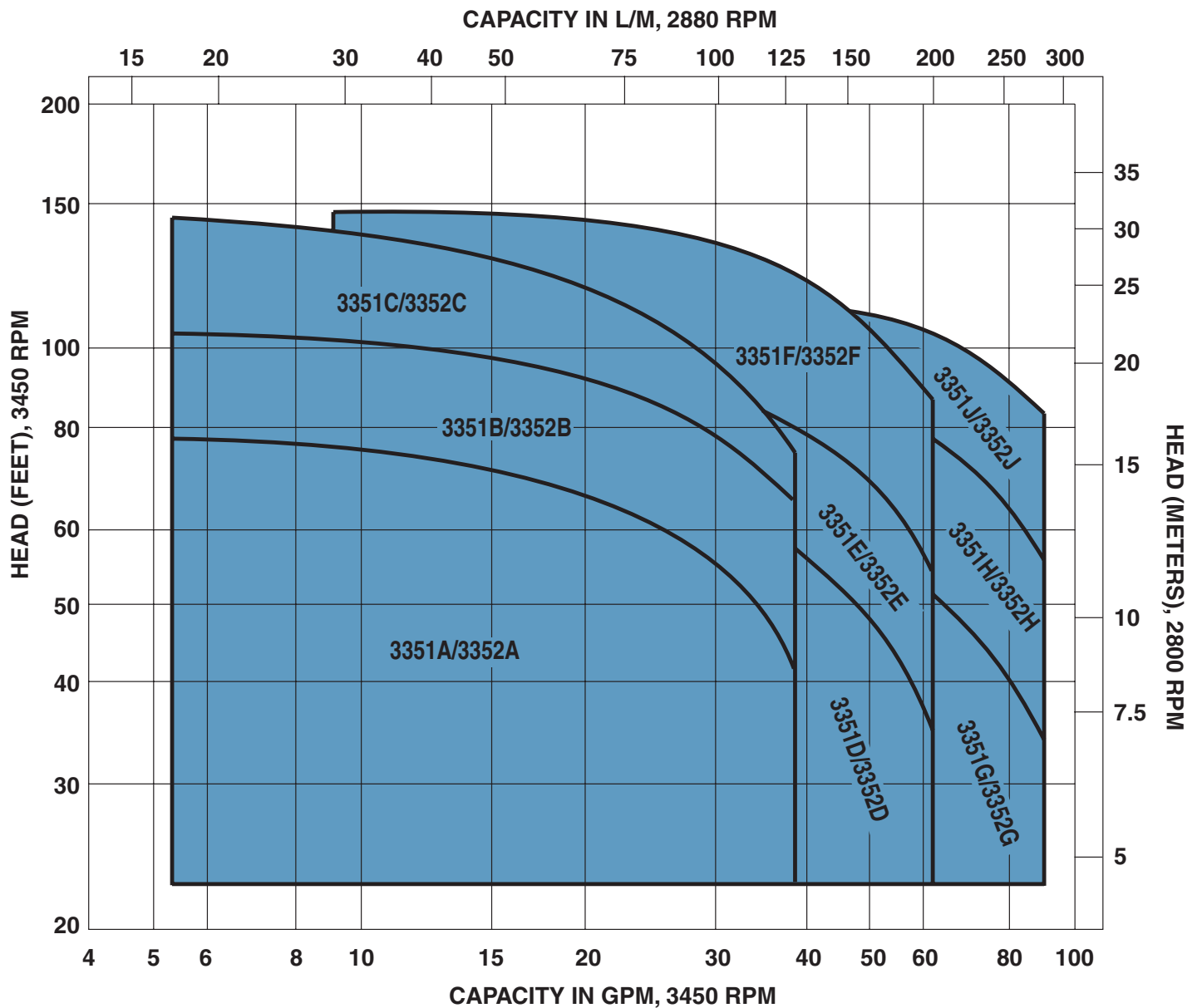
3350 Range Chart

MODEL 3351 & 3352

3450 RPM

INDIVIDUAL PERFORMANCE CURVES SHOULD BE CHECKED FOR FINAL SELECTION. FOR SELECTIONS NOT SHOWN ON THE CHART PLEASE REFER TO THE FACTORY.

REFER TO INDIVIDUAL PERFORMANCE CURVES FOR 1750 RPM SELECTION.

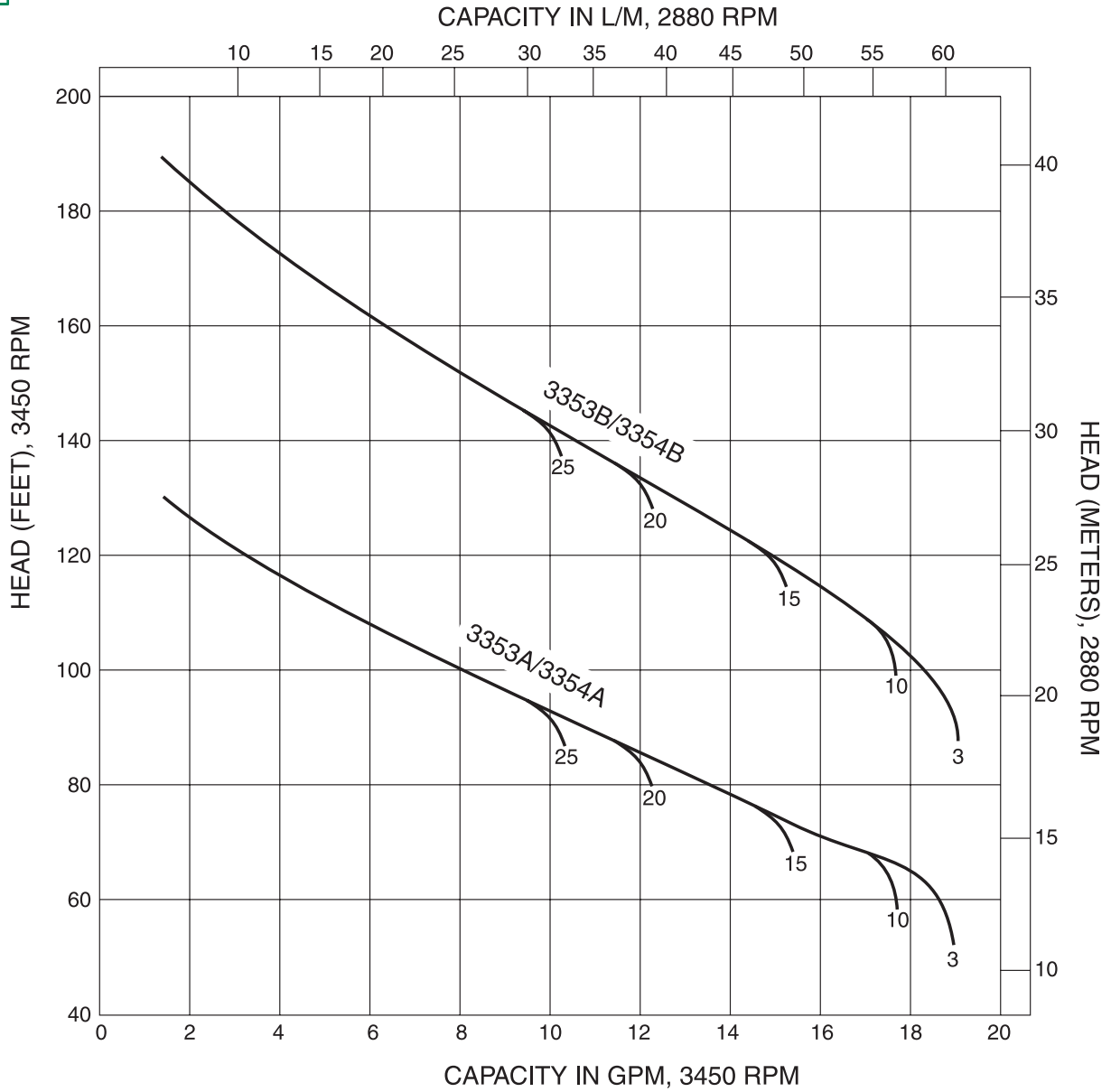


3350 Range Chart

MODEL 3353 & 3354

3450 RPM

INDIVIDUAL PERFORMANCE CURVES SHOULD BE CHECKED FOR FINAL SELECTION. FOR SELECTIONS NOT SHOWN ON THE CHART PLEASE REFER TO THE FACTORY.



NOTE: Figures in selection chart indicate suction lift (Ft.).

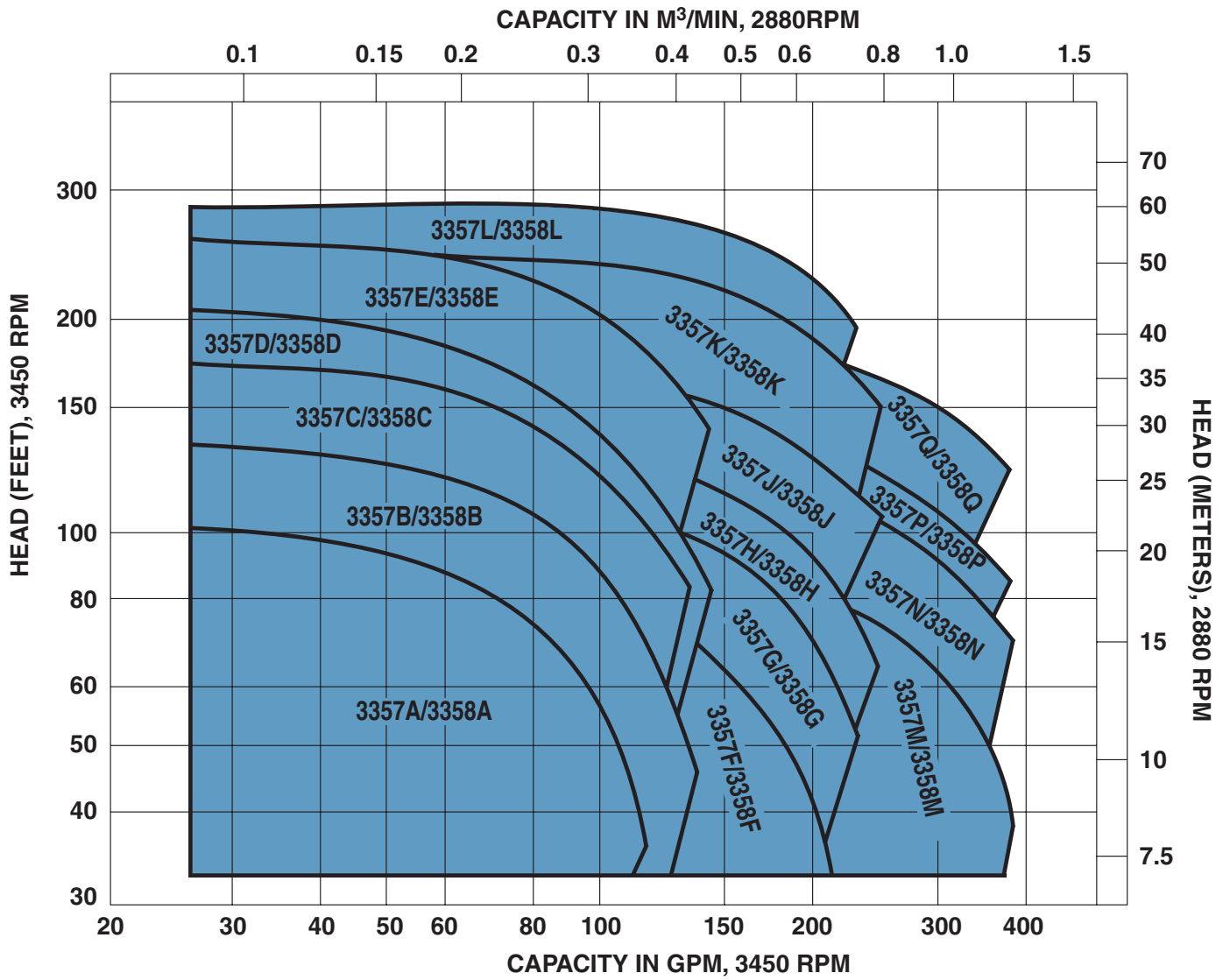
3350 Range Chart

MODEL 3357 & 3358

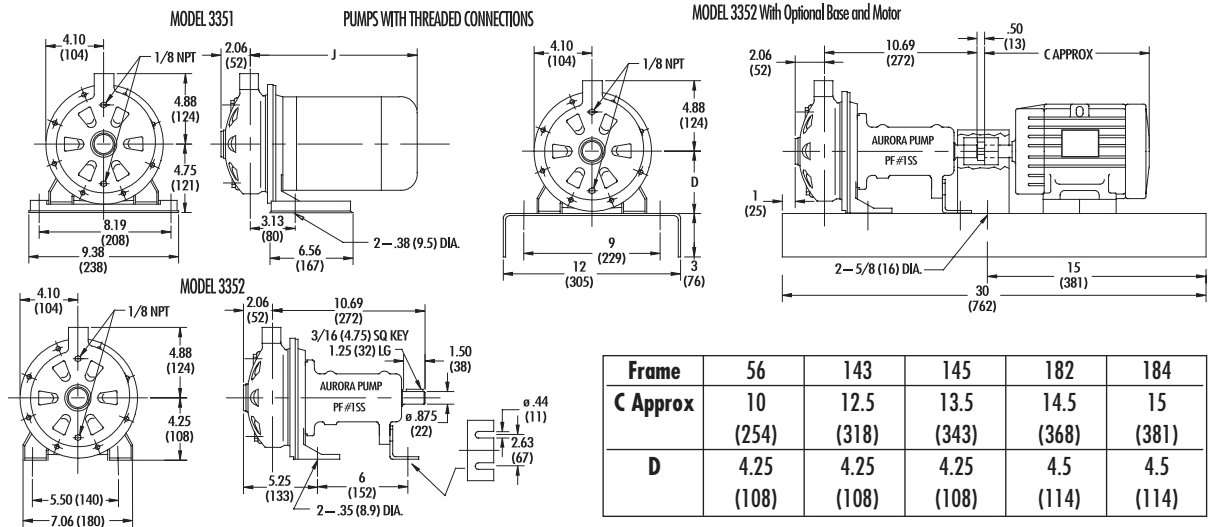
3450 RPM

INDIVIDUAL PERFORMANCE CURVES SHOULD BE CHECKED FOR FINAL SELECTION. FOR SELECTIONS NOT SHOWN ON THE CHART PLEASE REFER TO THE FACTORY.

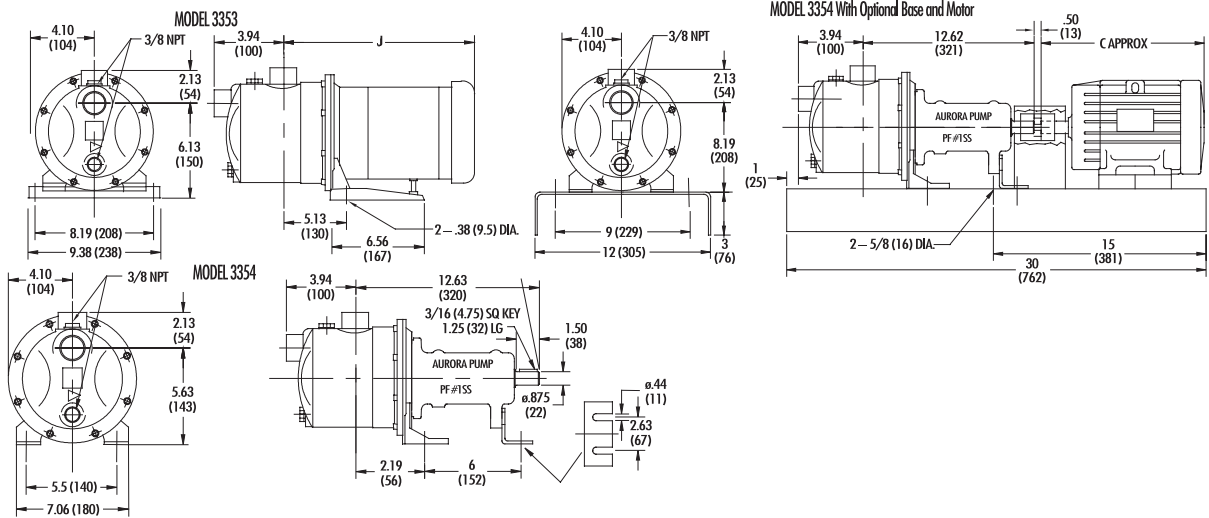
REFER TO INDIVIDUAL PERFORMANCE CURVES FOR 1750 RPM SELECTION.



3350 Dimensions



Model No	3351A 3352A	3351B 3352B	3351C 3352C	3351D 3352D	3351E 3352E	3351F 3352F	3351G 3352G	3351H 3352H	3351J 3352J
Discharge	1	1	1	1	1	1	1	1	1
Suction	1.25	1.25	1.25	1.25	1.25	1.25	1.5	1.5	1.5
Imp Dia	4.50	5.19	6.19	4.50	5.19	6.19	4.00	5.19	5.69
Std Hp +	0.75 (0.55)	1.5 (1)	2 (1.5)	1 (.75)	1.5 (1)	3 ++ (2)	1.5 (1)	3 (2)	3 ++ (2)
J Max	13.13 (334)	13.56 (344)	14.44 (367)	13.56 (344)	13.56 (344)	14.44 (367)	13.56 (344)	14.44 (367)	14.44 (367)



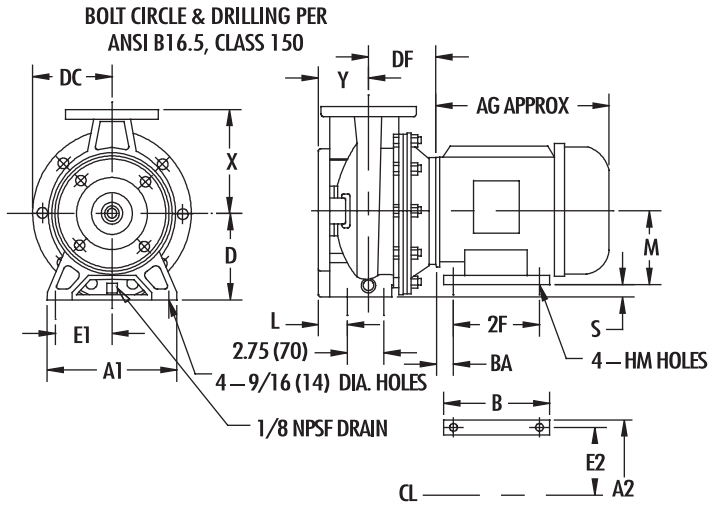
Model No	3353A 3354A	3353B 3354B
Discharge	1	1
Suction	1.25	1.25
Imp Dia	4.50	5.19
Std Hp	0.75 (0.5)	1.5 (1)
J Max	15.13 (384)	15.63 (397)

FRAME	C APPROX
56	10 (254)
143	12.5 (318)
145	13.5 (343)

Notes:

- All dimensions are in inches (mm) and may vary $\pm 1/4$ (6).
 - Motor dimensions are not specified as they vary with each motor manufacturer.
 - Not for construction purposes unless certified.
- + Standard horsepower is the selection for motors, 60 cycle (50 cycle) with 1.15 service factor. Refer to price pages for selections utilizing available jet shaft service factor.
- ++ Available as 1750 RPM close coupled.

3350 Dimensions



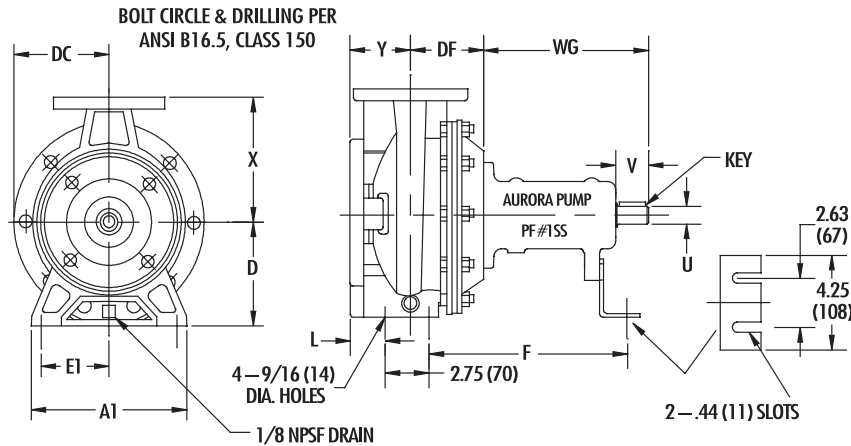
Frame JM	143	145	182	184	213	215
BA	2.75 (70)	2.75 (70)	3.37 (86)	3.37 (86)	4.5 (114)	4.5 (114)
2F	4 (102)	5 (127)	4.5 (114)	5.5 (140)	5.5 (140)	7 (178)
B	6 (152)	6 (152)	6.5 (165)	7.5 (191)	7 (178)	8.5 (216)
M	3.5 (89)	3.5 (89)	4.5 (114)	4.5 (114)	5.25 (133)	5.25 (133)
HM	0.34 (9)	0.34 (9)	0.41 (10)	0.41 (10)	0.41 (10)	0.41 (10)
E2	2.75 (70)	2.75 (70)	3.75 (216)	3.75 (216)	4.25 (108)	4.25 (108)
A2	3.5 (89)	3.5 (89)	4.5 (114)	4.5 (114)	5.25 (133)	5.25 (133)
AG APPROX	10 (254)	11 (279)	11 (279)	12 (305)	14 (356)	15 (381)

Model 3357												DF		S		
Model	Discharge	Suction	Imp Dia	Std Hp* ⁺	DC	X	D	E1	A1	Y	L	143JM 184JM	213JM 215JM	143JM 145JM	182JM 184JM	213JM 215JM
3357A	1.25	2	5.19	3 (2)	4.19 (106)	5.50 (140)	4.44 (113)	2.75 (070)	7.50 (191)	3.13 (80)	1.75 (44)	3.82 (97)	NA	0.94 (24)	-0.06 (-02)	NA
3357B	1.25	2	5.94	5 (3)	5.00 (127)	6.31 (160)	5.19 (132)	3.75 (095)	9.44 (240)	3.13 (80)	1.75 (44)	3.82 (97)	NA	NA	0.69 (18)	NA
3357C	1.25	2	6.56	5 (3)	5.00 (127)	6.31 (160)	5.19 (132)	3.75 (095)	9.44 (240)	3.13 (80)	1.75 (44)	3.82 (97)	NA	NA	0.69 (18)	NA
3357D	1.25	2	7.31	7.5 (5)	5.78 (147)	7.06 (179)	6.31 (160)	3.75 (095)	9.44 (240)	3.13 (80)	1.75 (44)	3.82 (97)	NA	NA	1.81 (46)	NA
3357E	1.25	2	7.88	10 (7.5)	5.78 (147)	7.06 (179)	6.31 (160)	3.75 (095)	9.44 (240)	3.13 (80)	1.75 (44)	3.82 ⁺⁺ (97)	3.69 (94)	2.81 ⁺⁺ (71)	NA	4.50 (114)
3357F	1.5	2.5	4.94	5 (3)	4.19 (106)	5.50 (140)	4.44 (113)	3.16 (080)	8.25 (210)	3.13 (80)	1.75 (44)	3.82 (97)	NA	NA	-0.06 (-02)	NA
3357G	1.5	2.5	5.50	5 (3)	4.19 (106)	5.50 (140)	4.44 (113)	3.16 (080)	8.25 (210)	3.13 (80)	1.75 (44)	3.82 (97)	NA	NA	-0.06 (92)	NA
3357H	1.5	2.5	5.94	7.5 (5)	5.00 (127)	6.31 (160)	5.19 (132)	3.75 (095)	9.44 (240)	3.13 (80)	1.75 (44)	3.82 (97)	NA	NA	0.69 (18)	NA
3357J	1.5	2.5	6.56	10 (7.5)	5.00 (127)	6.31 (160)	5.19 (132)	3.75 (095)	9.44 (240)	3.13 (80)	1.75 (44)	NA	3.69 (94)	NA	0.69 (18)	NA
3357K	1.5	2.5	7.19	15 (10)	5.78 (147)	7.06 (179)	6.31 (160)	4.19 (106)	10.44 (265)	3.94 (100)	1.75 (44)	3.82 ⁺⁺ (97)	3.69 (94)	2.81 ⁺⁺ (71)	NA	1.06 (27)
3357L	1.5	2.5	7.88	15 (10)	5.78 (147)	7.06 (179)	6.31 (160)	4.19 (106)	10.44 (265)	3.94 (100)	1.75 (44)	3.82 ⁺⁺ (97)	3.69 (94)	2.81 ⁺⁺ (71)	NA	1.06 (27)
3357M	2	2.5	5.19	7.5 (5)	5.00 (127)	6.31 (160)	5.19 (132)	3.75 (095)	9.44 (240)	3.94 (100)	2.56 (65)	3.82 (97)	NA	NA	0.69 (18)	NA
3357N	2	2.5	5.50	10 (7.5)	5.00 (127)	6.31 (160)	5.19 (132)	3.75 (095)	9.44 (240)	3.94 (100)	2.56 (65)	NA	3.69 (94)	NA	NA	-0.06 (-02)
3357P	2	2.5	6.19	10 (7.5)	5.85 (149)	7.06 (179)	6.31 (160)	4.19 (106)	10.44 (265)	3.94 (100)	2.56 (65)	3.82 ⁺⁺ (97)	3.69 (94)	2.81 ⁺⁺ (71)	NA	1.06 (27)
3357Q	2	2.5	6.56	15 (10)	5.85 (149)	7.06 (179)	6.31 (160)	4.19 (106)	10.44 (265)	3.94 (100)	2.56 (65)	3.82 ⁺⁺ (97)	3.69 (94)	2.81 ⁺⁺ (71)	NA	1.06 (27)

Notes:

- All dimensions are in inches (mm) and may vary ±1/4 (6).
 - Motor dimensions are not specified as they vary with each motor manufacturer.
 - + Standard horsepower is the selection for motors, 60 cycle (50 cycle) with 1.15 service factor.
 - ++ 1750 RPM only
 - Not for construction purposes unless certified.
- * 3450 RPM, refer to performance curves for 1750 RPM

3350 Dimensions



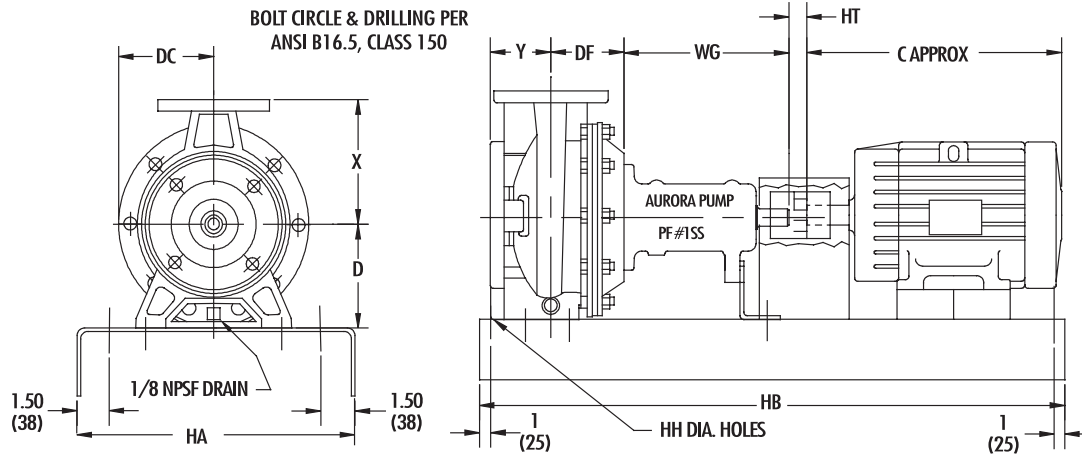
Model 3358												DF	
Model	Discharge	Suction	Imp Dia	Std Hp*	DC	X	D	EI	A1	Y	L	#1SSJM	#2SSJM
3358A	1.25	2	5.19	3 (2)	4.19 (106)	5.50 (140)	4.44 (113)	2.75 (070)	7.50 (191)	3.13 (80)	1.75 (44)	3.82 (97)	NA
3358B	1.25	2	5.94	5 (3)	5.00 (127)	6.31 (160)	5.19 (132)	3.75 (095)	9.44 (240)	3.13 (80)	1.75 (44)	3.82 (97)	NA
3358C	1.25	2	6.56	5 (3)	5.00 (127)	6.31 (160)	5.19 (132)	3.75 (095)	9.44 (240)	3.13 (80)	1.75 (44)	3.82 (97)	NA
3358D	1.25	2	7.31	7.5 (5)	5.78 (147)	7.06 (179)	6.31 (160)	3.75 (095)	9.44 (240)	3.13 (80)	1.75 (44)	3.82 (97)	NA
3358E	1.25	2	7.88	10 (7.5)	5.78 (147)	7.06 (179)	6.31 (160)	3.75 (095)	9.44 (240)	3.13 (80)	1.75 (44)	3.82† (97)	3.69 (94)
3358F	1.5	2.5	4.94	5 (3)	4.19 (106)	5.50 (140)	4.44 (113)	3.16 (080)	8.25 (210)	3.13 (80)	1.75 (44)	3.82 (97)	NA
3358G	1.5	2.5	5.50	5 (3)	4.19 (106)	5.50 (140)	4.44 (113)	3.16 (080)	8.25 (210)	3.13 (80)	1.75 (44)	3.82 (97)	NA
3358H	1.5	2.5	5.94	7.5 (5)	5.00 (127)	6.31 (160)	5.19 (132)	3.75 (095)	9.44 (240)	3.13 (80)	1.75 (44)	3.82 (97)	NA
3358J	1.5	2.5	6.56	10 (7.5)	5.00 (127)	6.31 (160)	5.19 (132)	3.75 (095)	9.44 (240)	3.13 (80)	1.75 (44)	NA	3.69 (94)
3358K	1.5	2.5	7.19	15 (10)	5.78 (147)	7.06 (179)	6.31 (160)	4.19 (106)	10.44 (265)	3.94 (100)	1.75 (44)	3.82++ (97)	3.69 (94)
3358L	1.5	2.5	7.88	15 (10)	5.78 (147)	7.06 (179)	6.31 (160)	4.19 (106)	10.44 (265)	3.94 (100)	1.75 (44)	3.82++ (97)	3.69 (94)
3358M	2	2.5	5.19	7.5 (5)	5.00 (127)	6.31 (160)	5.19 (132)	3.75 (095)	9.44 (240)	3.94 (100)	2.56 (65)	3.82 (97)	NA
3358N	2	2.5	5.50	10 (7.5)	5.00 (127)	6.31 (160)	5.19 (132)	3.75 (095)	9.44 (240)	3.94 (100)	2.56 (65)	NA	3.69 (94)
3358P	2	2.5	6.19	10 (7.5)	5.85 (149)	7.06 (179)	6.31 (160)	4.19 (106)	10.44 (265)	3.94 (100)	2.56 (65)	3.82++ (97)	3.69 (94)
3358Q	2	2.5	6.56	15 (10)	5.85 (149)	7.06 (179)	6.31 (160)	4.19 (106)	10.44 (265)	3.94 (100)	2.56 (65)	3.82++ (97)	3.69 (94)

Notes:

1. All dimensions are in inches (mm) and may vary $\pm 1/4$ (6).
2. Motor dimensions are not specified as they vary with each motor manufacturer.
3. Not for construction purposes unless certified.
- * 3450 RPM, refer to performance curves for 1750 RPM
- + Standard horsepower is the selection for motors, 60 cycle (50 cycle) with 1.15 service factor.
- ++ 1750 RPM only

Frame	WG	F	U	V	KEY
#1SSJM	8.25 (210)	9.25 (235)	0.875 (22)	1.5 (38)	.187 SQ X 1.25 LNG
#2SSJM	11.75 (298)	11.38 (289)	1.125 (29)	2.5 (64)	.250 SQ X 1.50 LNG

3350 Dimensions



Model 3358 W/OPT BASE, CPL AND MOTOR								DF				
Model	Discharge	Suction	Imp Dia	Std Hp*+	DC	X	D	Y	#1SSJM	Base No.	#2SSJM	Base No.
3358A	1.25	2	5.19	3 (2)	4.19 (106)	5.50 (140)	4.44 (113)	3.13 (80)	3.82 (97)	1	NA	NA
3358B	1.25	2	5.94	5 (3)	5.00 (127)	6.31 (160)	5.19 (132)	3.13 (80)	3.82 (97)	1	NA	NA
3358C	1.25	2	6.56	5 (3)	5.78 (147)	6.31 (160)	5.19 (132)	3.13 (80)	3.82 (97)	1	NA	NA
3358D	1.25	2	7.31	7.5 (5)	5.78 (147)	7.06 (179)	6.31 (160)	3.13 (80)	3.82 (97)	1	NA	NA
3358E	1.25	2	7.88	10 (7.5)	4.19 (106)	7.06 (179)	6.31 (160)	3.13 (80)	3.82++ (97)	2	3.69 (94)	3
3358F	1.5	2.5	4.94	5 (3)	4.19 (106)	5.50 (140)	4.44 (113)	3.13 (80)	3.82 (97)	1	NA	NA
3358G	1.5	2.5	5.50	5 (3)	4.19 (106)	5.50 (140)	4.44 (113)	3.13 (80)	3.82 (97)	1	NA	NA
3358H	1.5	2.5	5.94	7.5 (5)	5.00 (127)	6.31 (160)	5.19 (132)	3.13 (80)	3.82 (97)	1	NA	NA
3358J	1.5	2.5	6.56	10 (7.5)	5.00 (127)	6.31 (160)	5.19 (132)	3.13 (80)	NA	3	3.69 (94)	3
3358K	1.5	2.5	7.19	15 (10)	5.78 (147)	7.06 (179)	6.31 (160)	3.94 (100)	3.82++ (97)	2	3.69 (94)	5
3358L	1.5	2.5	7.88	15 (10)	5.78 (147)	7.06 (179)	6.31 (160)	3.94 (100)	3.82++ (97)	2	3.69 (94)	5
3358M	2	2.5	5.19	7.5 (5)	5.00 (127)	6.31 (160)	5.19 (132)	3.94 (100)	3.82 (97)	2	NA	NA
3358N	2	2.5	5.50	10 (7.5)	5.00 (127)	6.31 (160)	5.19 (132)	3.94 (100)	NA	3	3.69 (94)	3
3358P	2	2.5	6.19	10 (7.5)	5.85 (149)	7.06 (179)	6.31 (160)	3.94 (100)	3.82++ (97)	2	3.69 (94)	3
3358Q	2	2.5	6.56	15 (10)	5.85 (149)	7.06 (179)	6.31 (160)	3.94 (100)	3.82++ (97)	2	3.69 (94)	5

Motor Frame	C Approx	Cpl	HT Approx
143T	12 (305)	L075	0.50 (13)
145T	13 (330)	L075	0.50 (13)
182T	13 (330)	L095	0.52 (13)
184T	14 (356)	L095	0.52 (13)
213T	16 (406)	L100	0.71 (18)
215T	18 (457)	L100	0.71 (18)
254T	21 (533)	L110	0.88 (22)
256T	23 (584)	L110	.88 (22)

FRAME	WG
#1SSJM	8.25 (210)
#2SSJM	11.75 (298)

Notes:

- All dimensions are in inches (mm) and may vary $\pm 1/4$ (6).
 - Motor dimensions are not specified as they vary with each motor manufacturer.
 - Not for construction purposes unless certified.
- * 3450 RPM refer to performance curves for 1750 RPM
 + Standard horsepower is the selection for motors, 60 cycle (50 cycle) with 1.15 service factor.
 ++ 1750 RPM only

Base	HA	HB	HG	HH
1	12 (305)	34 (864)	3 (076)	.63 (16)
2	12 (305)	38 (965)	3 (076)	.63 (16)
3	13 (330)	42 (1067)	4 (102)	.75 (19)
5	15 (381)	44 (1118)	3.38 (086)	.75 (19)

Engineering Specifications

The contractor shall furnish (and install in location as shown on the plan) an Aurora Type 3350 horizontal centrifugal pump model _____. Each pump shall have a capacity of _____ GPM at _____ ft. total head and _____ specific gravity. The pump is to have all wetted Stainless Steel Metal Parts (20% GF Noryl™ Ejector on 3353/3354). The pump is to be equipped with a mechanical seal will all metal parts to be stainless steel, Buna-N bellows, ceramic seat and carbon washer.

Close Coupled Models 3351 ... 3353 ... 3357:

The pump is to be close coupled to a NEMA motor of _____ hp, _____ ph _____ hertz, _____ voltage, _____ RPM (open drip proof)(totally enclosed fan cooled) enclosure. Motors for model 3351 and 3351 shall have a stainless steel shaft of NEMA Jet design. Motors for model 3357 shall be of NEMA JM design and shaft shall be protected by a stainless steel shaft sleeve.

Flexible Coupled Models 3352 ... 3354 ... 3358:

The pump is to be mounted on a power frame equipped with permanently lubricated sealed

ball bearings. Power frame shaft shall be of stainless steel with NEMA Jet design for pump models 3352 and 3354. For model 3358, the carbon steel shaft is NEMA JM design. The pump is to be flexible coupled to a standard horizontal NEMA motor of _____ hp, _____ ph, _____ hertz, _____ voltage, _____ RPM (open drip proof (totally enclosed fan cooled) (explosion proof) enclosure. The pump shall be mounted on a formed steel baseplate. Pump and motor alignment shall be checked in accordance with the Standards of the Hydraulic Institute after the pump has been installed.

Materials of Construction and Limitations

Pump Part	3351 3352	3353 3354	3357 3358
Casing	Stainless Steel AISI 304	Stainless Steel AISI 304	Stainless Steel AISI 304
Impeller	Stainless Steel AISI 304	Stainless Steel AISI 304	Stainless Steel AISI 304
Seal Plate	Stainless Steel AISI 304	Stainless Steel AISI 304	Stainless Steel AISI 304
Bracket	Cast Aluminum	Cast Aluminum	Cast Aluminum
Shaft	Stainless Steel AISI 416	Stainless Steel AISI 416	Carbon Steel AISI C1045
Shaft Sleeve	NA	NA	Stainless Steel AISI 416
Sleeve Gaskets	NA	NA	Nylon #6
Ejector & Diffuser	NA	20% GF PPO	NA
Power Frame (As Applicable)	Cast Iron ASTM A48	Cast Iron ASTM A48	Cast Iron ASTM A48
Mechanical Seal (STD)	Stainless steel metal parts, "Buna-N" elastomer parts, ceramic seat and carbon washer.		
Casing O-Ring	Viton	Viton	Viton

Limitation: maximum based on water service	3351 3352	3353 3354	3357 3358
Speed - RPM	3450	3450	3450
Horsepower	3	1.5	15
Temperature °F (°C)	225 (120)*	115 (45)	225 (120)*
Hydrostatic Test Limit PSI (bar)	187 (13.5)	187 (13.5)	345 (22.5)
Case Working Press. PSI (bar)	125 (9)	125 (9)	230 (15)

* With Std Seal, 250°F (120°C) with optional seals

NOTE: Aurora Pump reserves the right to make revisions to its products and their specifications, and to this bulletin and related information, without notice.

— Your Authorized Local Distributor —

motralec

4 rue Lavoisier . ZA Lavoisier . 95223 HERBLAY CEDEX
Tel. : 01.39.97.65.10 / Fax. : 01.39.97.68.48

Demande de prix / e-mail : service-commercial@motralec.com

www.motralec.com

WEMA



ap AURORA®
Pentair Pump Group