

3340 Series Single Stage End Suction Pumps

- Capacities to 4200 G.P.M. (800 M³/HR)
- Heads to 520 Feet (180 Meters)
- Temperatures to 225°F (107°C)



Model 3344

ap AURORA®
Pentair Water

motralec

4 rue Lavoisier . ZA Lavoisier . 95223 HERBLAY CEDEX

Tel. : 01.39.97.65.10 / Fax. : 01.39.97.68.48

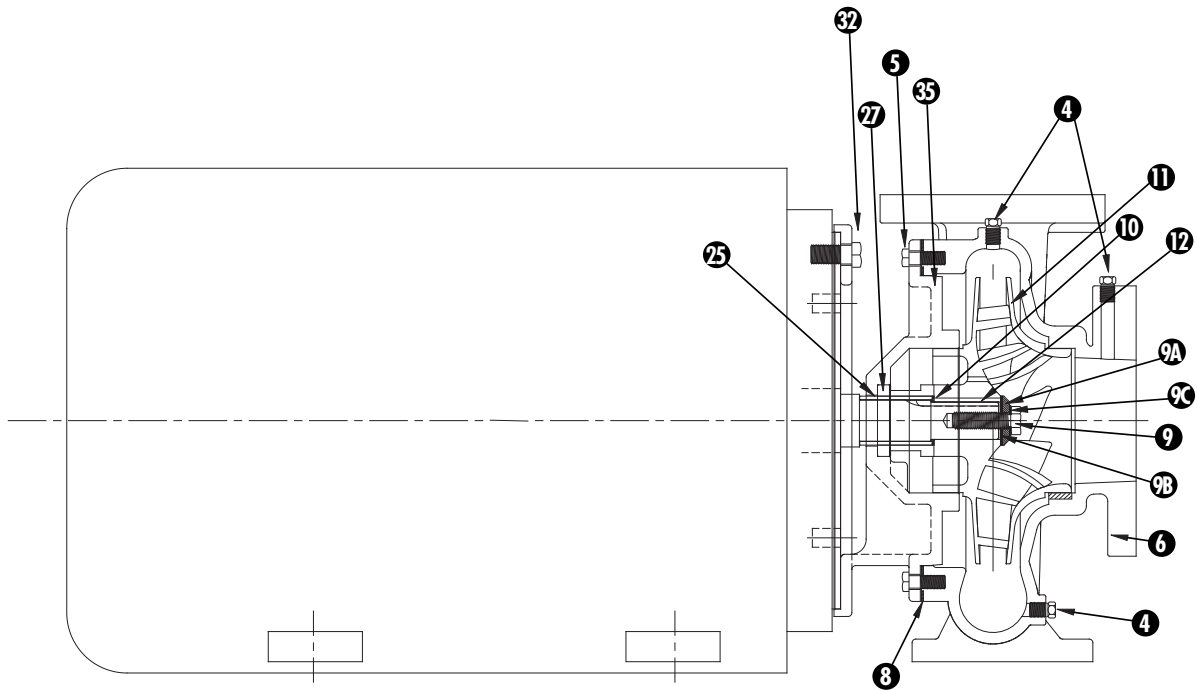
Demande de prix / e-mail : service-commercial@motralec.com

www.motralec.com

Aurora 3340 Pump

Setting New Standards of Efficiency

Liquid handling requirements are much more involved than they were five years ago. The variety of liquids being handled has increased along with temperatures and pressures. Today's installations demand quiet, smooth running pumps with long life. Aurora Pump's 85 years of experience with design, sales and manufacturing of centrifugal pumps has led to the 3340 Series. These modern pumps with a clean, straightforward design were developed with maximum interchangeability in mind. Aurora's highly reliable 3340 pumps offer an economical solution to your liquid handling problems.

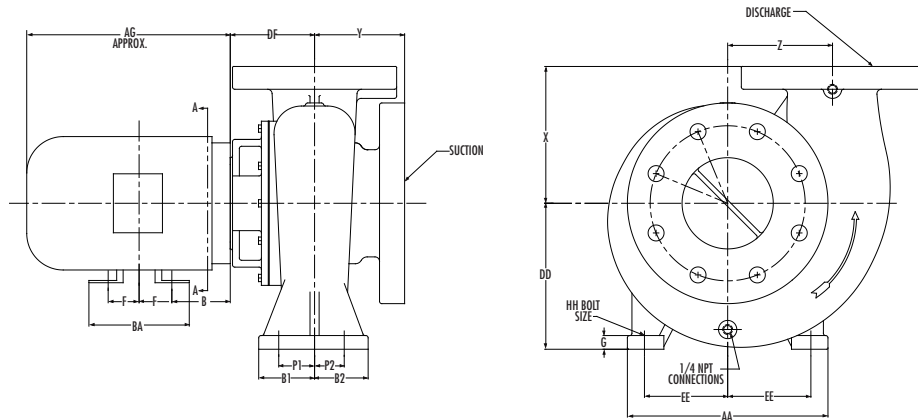


Trim at 7-3/4"

Standard: 3341

- Standard JM motor
 - Cast Iron, Bronze Fitted Construction
 - Double Volute on 4" discharge and larger to reduce bearing loads
 - Suction splitter on some 3" and all 4" suction and larger to eliminate pre-rotation
 - Gauge taps on suction and discharge standard on flanged models
 - Shaft sleeve to protect JM motor shaft
 - Casing feet for easy back pullout
- | | |
|--------------------------|--------------------------------|
| 4. .25 NPT Pipe Plug | 10. Shaft sleeve gasket |
| 5. Casing bolts or studs | 11. Impeller |
| 6. Casing | 12. Impeller Key |
| 8. Casing gasket | 25. Shaft Sleeve |
| 9. Impeller Bolt | 27. Seal |
| 9A. Impeller washer | 32. Motor Bolts |
| 9B. Impeller gasket | 35. Seal Plate / Motor Bracket |
| 9C. Impeller bolt gasket | |

3341 Product Offering

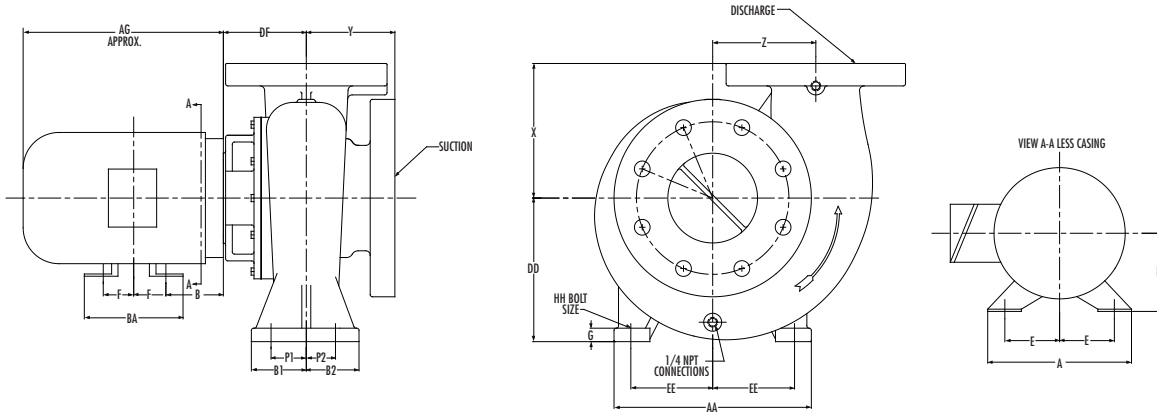


| PUMP SIZE | DISCH | SUCT | DD | X | Y | Z | P1 | P2 | B1 | B2 | G | HH | EE | AA | DF | DF | DF | DF | DF |
|-------------------------|-------|------|-------------|---------------|---------------|---------------|---------------|--------------|---------------|--------------|--------------|--------------|---------------|-------------|---------------|-----------------|---------------|-----------------|---------------|
| | | | | | | | | | | | | | | | 143-184JM | 213-215JM | 254-256JM | 284-326JM | 364-444TCZ |
| 1.25 x 1.5 x 7 (NPT) | 1.25 | 1.5 | 7 (178) | 5 (127) | 3.25 (83) | 4.5 (114) | 1.38 (35) | 1.63 (41) | 2.38 (60) | 2.63 (67) | 0.63 (16) | 0.44 (11) | 3.25 (83) | 8 (203) | 4.25 (108) | 4.25 • (108) | N/A | N/A | N/A |
| 1.5 x 2 x 7 (NPT) | 1.5 | 2 | 7 (178) | 6 (152) | 3.13 (79) | 4.63 (117) | 1.44 (37) | 1.56 (40) | 2.44 (62) | 2.56 (65) | 0.63 (16) | 0.44 (11) | 3.25 (83) | 8 (203) | 4.56 (116) | 4.56 • (116) | N/A | N/A | N/A |
| 1.5x2x12 (NPT) | 1.5 | 2 | 10 (254) | 7.75 (197) | 2.75 (70) | 5.75 (146) | 1.94 (49) | 2.19 (56) | 2.87 (73) | 3.75 (95) | 0.69 (17) | 0.44 (11) | 4.56 (116) | 11 (279) | 4.56 (116) | 4.56 • (116) | NA | NA | NA |
| 2 x 2.5 x 7 | 2 | 2.5 | 7 (178) | 6.5 (165) | 3.5 (89) | 4.75 (121) | 1.56 (40) | 1.44 (37) | 2.56 (65) | 2.44 (62) | 0.63 (16) | 0.44 (11) | 3.25 (83) | 8 (203) | 4.44 (113) | 4.44 (113) | 5.5 (140) | N/A | N/A |
| 2x2.5x9.5 | 2 | 2.5 | 8 (203) | 7 (178) | 4 (102) | 5.88 (149) | 1.56 (40) | 2.81 (71) | 2.38 (60) | 3.63 (92) | 0.69 (17) | 0.44 (11) | 4.56 (116) | 11 (279) | 4.44 (113) | 4.44 (113) | 5.63 (143) | 5.63 † (143) | NA |
| 2.5 x 3 x 7 | 2.5 | 3 | 7 (178) | 6 (152) | 4.25 (108) | 4.69 (119) | 1.63 (41) | 1.38 (35) | 2.63 (67) | 2.38 (60) | 0.63 (16) | 0.44 (11) | 3.25 (83) | 8 (203) | 4.44 (113) | 4.44 (113) | 5.5 (140) | 5.5 (140) | N/A |
| 2.5x3x9.5 | 2 | 3 | 8 (203) | 6.75 (171) | 4 (102) | 6 (152) | 1.63 (41) | 2.75 (70) | 2.44 (62) | 3.56 (90) | 0.69 (17) | 0.44 (11) | 4.56 (116) | 11 (279) | 4.75 (121) | 4.75 (121) | 5.31 (135) | 5.31 (135) | 9.94 (252) |
| 3 x 4 x 7 | 3 | 4 | 7 (178) | 6 (152) | 4.13 (105) | 5 (127) | 1.69 (43) | 1.31 (33) | 2.69 (68) | 2.31 (59) | 0.63 (16) | 0.44 (11) | 3.25 (83) | 8 (203) | 4.56 (116) | 4.56 (116) | 4.94 (125) | 4.94 (125) | N/A |
| 3x4x9.5 | 3 | 4 | 8 (203) | 7.5 (191) | 4.75 (121) | 6.13 (156) | 1.81 (46) | 2.56 (65) | 2.69 (68) | 3.31 (84) | 0.75 (19) | 0.44 (11) | 4.56 (116) | 11 (279) | 4.56 (116) | 4.56 (116) | 5.06 (129) | 5.06 (129) | 9.25 (235) |
| 4x5x7 | 4 | 5 | 8 (203) | 7.5 (191) | 4.94 (125) | 5.75 (146) | 2.25 (57) | 2.13 (54) | 3.06 (78) | 2.94 (75) | 0.69 (17) | 0.44 (11) | 4.56 (116) | 11 (279) | 4.63 (118) | 4.63 (118) | 5.5 (140) | 5.5 † (140) | NA |
| 4x5x9.5 | 4 | 5 | 10 (254) | 8 (203) | 5 (127) | 7 (178) | 1.88 (48) | 2.5 (64) | 2.69 (68) | 3.31 (84) | 0.75 (19) | 0.44 (11) | 4.56 (116) | 11 (279) | 4.75 (121) | 4.75 (121) | 5.13 (130) | 5.13 (130) | 9.31 (236) |
| 5x6x7 | 5 | 6 | 10 (254) | 8.5 (216) | 5.81 (148) | 6.25 (159) | 2.81 (71) | 1.56 (40) | 3.63 (92) | 2.38 (60) | 0.69 (18) | 0.44 (11) | 4.56 (116) | 11 (279) | 5.19 (132) | 5.19 (132) | 6.06 (154) | 6.06 (154) | 9.56 (243) |
| 5x6x9.5 | 5 | 6 | 11 (279) | 10 (254) | 6 (152) | 7.5 (191) | 2.19 (56) | 2.81 (71) | 3.19 (81) | 3.19 (81) | 0.88 (22) | 0.5 (13) | 7 (178) | 16 (406) | 4.56 (116) | 4.56 (116) | 5.44 (138) | 5.44 (138) | NA |
| 6x8x9.5 | 6 | 8 | 11 (279) | 10.5 (267) | 7 (178) | 8.25 (210) | 4.50 (114) | 4.5 (114) | 5.50 (140) | 5.5 (140) | 1 (25) | 0.63 (16) | 10.5 (267) | 23 (584) | NA | NA | 5.38 (137) | 5.38 (137) | NA |

• Only available in 215 ODP motor frame for 15 HP max
 † Only available in 326 ODP motor frame for 60 HP max

NOTES:

1. All dimensions in inches (mm).
2. Dimensions may vary ± .25.
3. Not for construction purposes unless certified.
4. Conduit box is shown in approximate location. Dimensions are not specified as they may vary with each motor manufacturer.
5. All motors are JM motor frames.

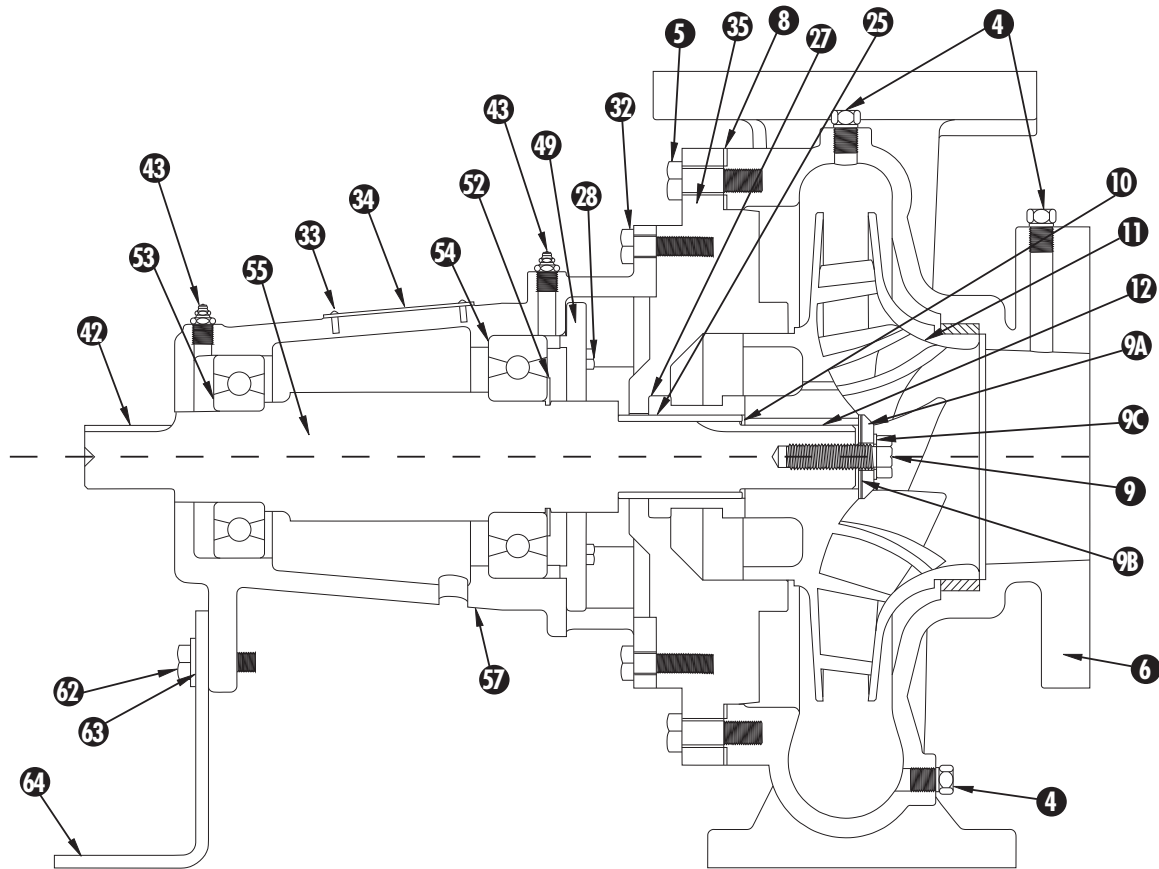


| JM MOTOR FRAME | | | | | | | | |
|----------------|----------------|---------------|----------------|---------------|---------------|---------------|--------------|---------------|
| FRAME | AG APPROX. | A | B | D | E | F | H | BA |
| 143 | 10 (251) | 7 (178) | 6 (152) | 3.5 (89) | 2.75 (70) | 2 (51) | 0.34 (9) | 2.25 (57) |
| 145 | 11 (279) | 7 (178) | 6 (152) | 3.5 (89) | 2.75 (70) | 2.5 (64) | 0.34 (9) | 2.25 (57) |
| 182 | 11 (279) | 9 (229) | 6.5 (165) | 4.5 (114) | 3.75 (95) | 2.25 (57) | 0.41 (10) | 2.75 (70) |
| 184 | 12 (305) | 9 (229) | 7.5 (191) | 4.5 (114) | 3.75 (95) | 2.75 (70) | 0.41 (10) | 2.75 (70) |
| 213 | 14 (356) | 10.5 (267) | 7.5 (191) | 5.25 (133) | 4.25 (108) | 2.75 (70) | 0.41 (10) | 3.5 (89) |
| 215 | 15 (381) | 10.5 (267) | 9 (229) | 5.25 (133) | 4.25 (108) | 3.5 (89) | 0.41 (10) | 3.5 (89) |
| 254 | 17.5 (445) | 12.5 (318) | 10.75 (273) | 6.25 (159) | 5 (127) | 4.13 (105) | 0.53 (13) | 4.25 (108) |
| 256 | 19 (483) | 12.5 (318) | 12.5 (318) | 6.25 (159) | 5 (127) | 5 (127) | 0.53 (13) | 4.25 (108) |
| 284 | 19 (483) | 14 (356) | 12.5 (318) | 7 (178) | 5.5 (140) | 4.75 (121) | 0.53 (13) | 4.75 (121) |
| 286 | 21 (533) | 14 (356) | 14 (356) | 7 (178) | 5.5 (140) | 5.5 (140) | 0.53 (13) | 4.75 (121) |
| 324 | 22 (559) | 16 (406) | 14 (356) | 8 (203) | 6.25 (159) | 5.25 (133) | 0.66 (17) | 5.25 (133) |
| 326 | 23 (584) | 16 (406) | 15.5 (394) | 8 (203) | 6.25 (159) | 6 (152) | 0.66 (17) | 5.25 (133) |
| 364 | 24 (610) | 18 (457) | 15.25 (387) | 9 (229) | 7 (178) | 5.63 (143) | 0.66 (17) | 5.88 (149) |
| 365 | 24 (610) | 18 (457) | 16.25 (413) | 9 (229) | 7 (178) | 6.13 (156) | 0.66 (17) | 5.88 (149) |
| 404 | 27.25 (692) | 20 (508) | 16.25 (413) | 10 (254) | 8 (203) | 6.13 (156) | 0.81 (21) | 6.63 (168) |
| 405 | 28.75 (730) | 20 (508) | 17.75 (451) | 10 (254) | 8 (203) | 6.88 (175) | 0.81 (21) | 6.63 (168) |

*Standard Flanges 125 lb. per ANSI B16.5
 • 364 & above are TCZ not JM frames

- NOTES:
1. All dimensions in inches (mm).
 2. Dimensions may vary $\pm 1/4$.
 3. Not for construction purposes unless certified.

Aurora 3340 Pump

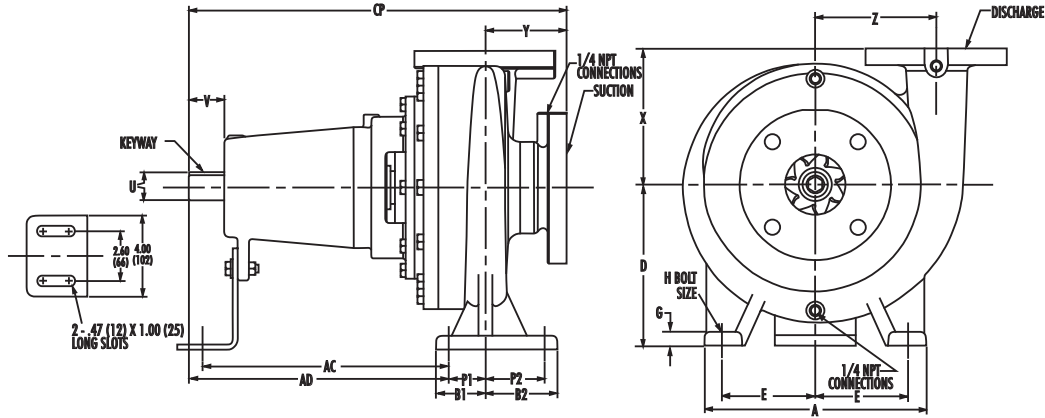


Standard – 3344

- Regreaseable bearings
- Coupling guard
- Cast Iron, Bronze Fitted Construction
- Formed steel bases
- Double Volute on 4" discharge and larger to reduce bearing loads.
- Suction Splitter on some 3" and all 4" suction and larger to eliminate pre-rotation.
- Heavy duty power frame with regreaseable bearings for long life.
- Gauge taps on suction discharge standard on flanged models.
- Shaft sleeve to protect high strength JM design shaft.
- Casing feet for easy back pull out.

- | | | | |
|-----|----------------------|-----|---------------------|
| 4. | .25 NPT Pipe Plug | 33. | Nameplate Screw |
| 5. | Casing Bolts | 34. | Nameplate |
| 6. | Casing | 35. | Seal Plate |
| 8. | Casing Gasket | 42. | Power Frame Key |
| 9. | Impeller Bolt | 43. | Grease Fitting |
| 9A. | Impeller Washer | 49. | Bearing Cap |
| 9B. | Imp. Washer Gasket | 52. | Bearing Snap Ring |
| 9C. | Impeller Bolt Gasket | 53. | Inboard Bearing |
| 10. | Shaft Sleeve Gasket | 54. | Outboard Bearing |
| 11. | Impeller | 55. | Shaft |
| 12. | Impeller Key | 57. | Power Frame |
| 25. | Shaft Sleeve | 62. | Foot Support Bolt |
| 27. | Seal | 63. | Foot Support Washer |
| 28. | Bearing Plate Bolts | 64. | Support Foot |
| 32. | Power Frame Bolts | | |

3344 Product Offering



| PUMP SIZE | DISCH | SUCT | D | X | Y | Z | P1 | P2 | B1 | B2 | G | H | E | A | AC | AD | CP |
|--------------------------|-------|------|-------------|---------------|---------------|---------------|--------------|--------------|--------------|--------------|--------------|--------------|---------------|-------------|----------------|----------------|----------------|
| 1.25 x 1.5 x 7S (NPT) | 1.25 | 1.5 | 7 (178) | 5 (127) | 3.25 (83) | 4.5 (114) | 1.38 (35) | 1.63 (41) | 2.38 (60) | 2.63 (67) | 0.63 (16) | 0.44 (11) | 3.25 (83) | 8 (203) | 9 (229) | 9.88 (251) | 14.5 (368) |
| 1.5 x 2 x 7S (NPT) | 1.5 | 2 | 7 (178) | 6 (152) | 3.13 (79) | 4.63 (117) | 1.44 (37) | 1.56 (40) | 2.44 (62) | 2.56 (65) | 0.63 (16) | 0.44 (11) | 3.25 (83) | 8 (203) | 9 (229) | 9.88 (251) | 14.44 (367) |
| 1.5 x 2 x 11S (NPT) | 1.5 | 2 | 8 (203) | 9 (229) | 3.13 (79) | 5.75 (146) | 1.44 (37) | 2.94 (75) | 2.25 (57) | 3.75 (95) | 0.69 (17) | 0.44 (11) | 4.56 (116) | 11 (279) | 9 (229) | 9.88 (251) | 14.44 (367) |
| 1.5 x 2 x 11L (NPT) | 1.5 | 2 | 8 (203) | 9 (229) | 3.13 (79) | 5.75 (146) | 1.44 (37) | 2.94 (75) | 2.25 (57) | 3.75 (95) | 0.69 (17) | 0.44 (11) | 4.56 (116) | 11 (279) | 12 (305) | 12.94 (329) | 17.5 (445) |
| 1.5 x 2 x 12S (NPT) | 1.5 | 2 | 10 (254) | 7.75 (197) | 2.75 (70) | 5.75 (146) | 1.94 (49) | 2.19 (56) | 2.87 (73) | 3.75 (95) | 0.69 (17) | 0.44 (11) | 4.56 (116) | 11 (279) | 9 (229) | 9.88 (251) | 14.56 (370) |
| 2 x 2.5 x 7S | 2 | 2.5 | 7 (178) | 6.5 (165) | 3.5 (89) | 4.75 (121) | 1.56 (40) | 1.44 (37) | 2.56 (65) | 2.44 (62) | 0.63 (16) | 0.44 (11) | 3.25 (83) | 8 (203) | 9 (229) | 9.88 (251) | 14.94 (379) |
| 2 x 2.5 x 9.5S | 2 | 2.5 | 8 (203) | 7 (178) | 4 (102) | 5.88 (149) | 1.56 (40) | 2.81 (71) | 2.38 (60) | 3.63 (92) | 0.69 (17) | 0.44 (11) | 4.56 (116) | 11 (279) | 9 (229) | 9.88 (251) | 15.44 (392) |
| 2 x 2.5 x 9.5L | 2 | 2.5 | 8 (203) | 7 (178) | 4 (102) | 5.88 (149) | 1.56 (40) | 2.81 (71) | 2.38 (60) | 3.63 (92) | 0.69 (17) | 0.44 (11) | 4.56 (116) | 11 (279) | 12 (305) | 13 (330) | 18.56 (472) |
| 2 x 3 x 11S | 2 | 3 | 10 (254) | 8 (203) | 5.5 (140) | 6.5 (165) | 2.23 (57) | 2.77 (70) | 3.23 (82) | 3.77 (96) | 0.88 (22) | 0.5 (13) | 7 (178) | 16 (406) | 7.63 (194) | 8.5 (216) | 16.25 (413) |
| 2 x 3 x 11L | 2 | 3 | 10 (254) | 8 (203) | 5.5 (140) | 6.5 (165) | 2.23 (57) | 2.77 (70) | 3.23 (82) | 3.77 (96) | 0.88 (22) | 0.5 (13) | 7 (178) | 16 (406) | 10.13 (257) | 11.75 (298) | 19.5 (495) |
| 2 x 3 x 13.5L | 2 | 3 | 10 (254) | 9 (229) | 5.5 (140) | 7.25 (184) | 2 (51) | 3 (76) | 3 (76) | 4 (102) | 0.88 (22) | 0.5 (13) | 7 (178) | 16 (406) | 10.13 (257) | 12.13 (308) | 19.63 (498) |
| 2.5 x 3 x 7S | 2.5 | 3 | 7 (178) | 6 (152) | 4.25 (108) | 4.69 (120) | 1.63 (41) | 1.38 (35) | 2.63 (67) | 2.38 (60) | 0.63 (16) | 0.44 (11) | 3.25 (83) | 8 (203) | 9 (229) | 9.88 (251) | 15.75 (400) |
| 2.5 x 3 x 9.5S | 2.5 | 3 | 8 (203) | 6.75 (171) | 4 (102) | 6 (152) | 1.63 (41) | 2.75 (70) | 2.44 (62) | 3.56 (90) | 0.69 (17) | 0.44 (11) | 4.56 (116) | 11 (279) | 9 (229) | 9.88 (251) | 15.50 (394) |
| 2.5 x 3 x 9.5L | 2.5 | 3 | 8 (203) | 6.75 (171) | 4 (102) | 6 (152) | 1.63 (41) | 2.75 (70) | 2.44 (62) | 3.56 (90) | 0.69 (17) | 0.44 (11) | 4.56 (116) | 11 (279) | 12 (305) | 13 (330) | 18.63 (473) |
| 2.5 x 3 x 13.5L | 2 | 3 | 10 (254) | 9 (229) | 6 (152) | 8 (203) | 2 (51) | 3 (76) | 3 (76) | 4 (102) | 0.88 (22) | 0.5 (13) | 7 (178) | 16 (406) | 10.13 (257) | 12.13 (308) | 20.25 (514) |
| 3 x 4 x 7S | 3 | 4 | 7 (178) | 6 (152) | 4.13 (105) | 5 (127) | 1.69 (43) | 1.31 (33) | 2.69 (68) | 2.31 (59) | 0.63 (16) | 0.44 (11) | 3.25 (83) | 8 (203) | 9 (229) | 9.88 (251) | 15.69 (398) |
| 3 x 4 x 7L | 3 | 4 | 7 (178) | 6 (152) | 4.13 (105) | 5 (127) | 1.69 (43) | 1.31 (33) | 2.69 (68) | 2.31 (59) | 0.63 (16) | 0.44 (11) | 3.25 (83) | 12 (305) | 12 (305) | 13 (330) | 18.81 (478) |
| 3 x 4 x 9.5S | 3 | 4 | 8 (203) | 7.5 (191) | 4.75 (121) | 6.13 (156) | 1.81 (46) | 2.56 (65) | 2.69 (68) | 3.31 (84) | 0.75 (19) | 0.44 (11) | 4.56 (116) | 11 (279) | 9 (229) | 9.88 (251) | 16.31 (414) |
| 3 x 4 x 9.5L | 3 | 4 | 8 (203) | 7.5 (191) | 4.75 (121) | 6.13 (156) | 1.81 (46) | 2.56 (65) | 2.69 (68) | 3.31 (84) | 0.75 (19) | 0.44 (11) | 4.56 (116) | 11 (279) | 12 (305) | 13 (330) | 19.56 (497) |
| 3 x 4 x 11S | 3 | 4 | 10 (254) | 9.5 (241) | 5.5 (140) | 7.38 (187) | 2.44 (62) | 2.56 (65) | 3.44 (87) | 3.56 (91) | 0.88 (22) | 0.5 (13) | 7 (178) | 16 (406) | 7.88 (200) | 8.5 (216) | 16.38 (416) |
| 3 x 4 x 11L | 3 | 4 | 10 (254) | 9.5 (241) | 5.5 (140) | 7.38 (187) | 2.44 (62) | 2.56 (65) | 3.44 (87) | 3.56 (91) | 0.88 (22) | 0.5 (13) | 7 (178) | 16 (406) | 10.13 (257) | 11.63 (295) | 19.56 (497) |
| 3 x 4 x 13.5L | 3 | 4 | 10 (254) | 9.5 (241) | 5.63 (143) | 8 (203) | 2.13 (54) | 2.88 (73) | 3.13 (80) | 3.88 (98) | 0.88 (22) | 0.5 (13) | 7 (178) | 16 (406) | 10.13 (257) | 12.06 (306) | 19.82 (503) |

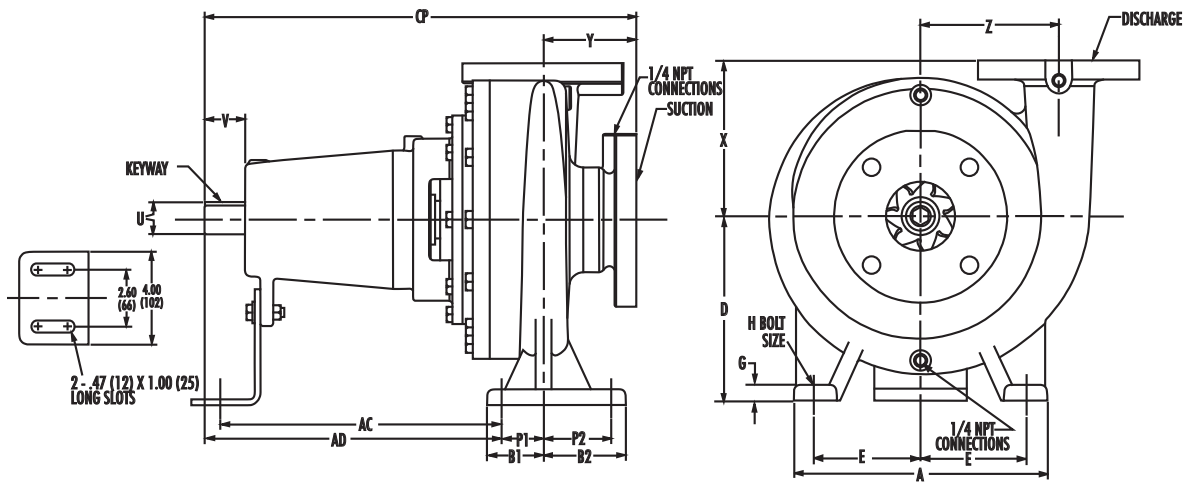
*Standard Flanges 125 lb. per ANSI B16.5

NOTES:

- All dimensions in inches (mm).
- Dimensions may vary $\pm 1/4$.
- Not for construction purposes unless certified.
- S-denotes small power frame; L-denotes large power frame; XL-denotes extra large power frame.
- Available in 125# suction /250# discharge.

| POWER FRAME | U | V | KEY |
|-------------|--------------|--------------|-----------------------------------|
| Small | 1 (25) | 1.63 (41) | .25 SQ. x 1.25 LNG (6) x (30) |
| Large | 1.25 (32) | 1.75 (44) | .25 SQ. x 1.25 LNG (6) x (30) |
| Extra Large | 1.88 (48) | 3.5 (89) | .50 SQ. x 2.63 LNG (13) x (67) |

3344 Product Offering



| PUMP SIZE | DISCH | SUCT | D | X | Y | Z | P1 | P2 | B1 | B2 | G | H | E | A | AC | AD | CP |
|-----------------|-------|------|----------------|----------------|---------------|---------------|---------------|---------------|---------------|---------------|--------------|--------------|---------------|-------------|----------------|----------------|----------------|
| 4 x 5 x 7S | 4 | 5 | 8 (203) | 7.5 (191) | 4.94 (125) | 5.75 (146) | 2.25 (57) | 2.13 (54) | 3.06 (78) | 2.94 (75) | 0.69 (17) | 0.44 (11) | 4.56 (116) | 11 (279) | 9 (229) | 9.88 (251) | 17.06 (433) |
| 4 x 5 x 7L | 4 | 5 | 8 (203) | 7.5 (191) | 4.94 (125) | 5.75 (146) | 2.25 (57) | 2.13 (54) | 3.06 (78) | 2.94 (75) | 0.69 (17) | 0.44 (11) | 4.56 (116) | 11 (279) | 12 (305) | 13 (330) | 20.19 (513) |
| 4 x 5 x 9.5S | 4 | 5 | 10 (254) | 8 (203) | 5 (127) | 7 (178) | 1.88 (48) | 2.5 (64) | 2.69 (68) | 3.31 (84) | 0.75 (19) | 0.44 (11) | 4.56 (116) | 11 (279) | 9 (229) | 9.88 (251) | 16.75 (425) |
| 4 x 5 x 9.5L | 4 | 5 | 10 (254) | 8 (203) | 5 (127) | 7 (178) | 1.88 (48) | 2.5 (64) | 2.69 (68) | 3.31 (84) | 0.75 (19) | 0.44 (11) | 4.56 (116) | 11 (279) | 12 (305) | 13 (330) | 19.88 (505) |
| 4 x 5 x 11S | 4 | 5 | 10 (254) | 9.75 (248) | 5.56 (141) | 7.25 (184) | 2.41 (61) | 2.94 (75) | 3.59 (91) | 3.59 (91) | 0.88 (22) | 0.5 (13) | 7 (178) | 16 (406) | 7.63 (194) | 8.5 (216) | 16.5 (419) |
| 4 x 5 x 11L | 4 | 5 | 10 (254) | 9.75 (248) | 5.56 (141) | 7.25 (184) | 2.41 (61) | 2.94 (75) | 3.59 (91) | 3.59 (91) | 0.88 (22) | 0.5 (13) | 7 (178) | 16 (406) | 10.13 (257) | 11.75 (298) | 19.69 (500) |
| 4 x 5 x 13.5L | 5 | 5 | 11 (279) | 10 (254) | 6 (152) | 8.56 (218) | 2.25 (57) | 2.75 (70) | 3.25 (83) | 3.75 (95) | 0.88 (22) | 0.5 (13) | 7 (178) | 16 (406) | 10.13 (257) | 11.50 (292) | 19.75 (502) |
| 5 x 6 x 7S | 5 | 6 | 10 (254) | 8.5 (216) | 5.81 (148) | 6.25 (159) | 2.81 (71) | 1.56 (40) | 3.63 (92) | 2.38 (60) | 0.69 (18) | 0.44 (11) | 4.56 (116) | 11 (279) | 9 (229) | 9.88 (251) | 18.5 (470) |
| 5 x 6 x 7L | 5 | 6 | 10 (254) | 8.5 (216) | 5.81 (148) | 6.25 (159) | 2.81 (71) | 1.56 (40) | 3.63 (92) | 2.38 (60) | 0.69 (18) | 0.44 (11) | 4.56 (116) | 11 (279) | 12 (305) | 13 (330) | 21.63 (549) |
| 5 x 6 x 9.5S | 5 | 6 | 11 (279) | 10 (254) | 6 (152) | 7.5 (191) | 2.19 (59) | 2.81 (71) | 3.19 (81) | 3.19 (81) | 0.88 (22) | 0.5 (13) | 7 (178) | 16 (406) | 9 (229) | 9.88 (251) | 18.06 (459) |
| 5 x 6 x 9.5L | 5 | 6 | 11 (279) | 10 (254) | 6 (152) | 7.5 (191) | 2.19 (59) | 2.81 (71) | 3.19 (81) | 3.19 (81) | 0.88 (22) | 0.5 (13) | 7 (178) | 16 (406) | 12 (305) | 13 (330) | 21.19 (538) |
| 5 x 6 x 11L | 5 | 6 | 11 (279) | 10.5 (267) | 5.44 (138) | 7.94 (202) | 2.59 (66) | 2.41 (61) | 3.44 (87) | 3.56 (91) | 0.88 (22) | 0.5 (13) | 7 (178) | 16 (406) | 10.13 (257) | 11.13 (283) | 19.19 (487) |
| 5 x 6 x 13.5L | 5 | 6 | 12 (305) | 13 (330) | 6 (152) | 9 (229) | 4.19 (106) | 4.81 (122) | 5.19 (132) | 5.81 (148) | 1 (25) | 0.63 (16) | 10.5 (267) | 23 (584) | 8.38 (213) | 10.13 (257) | 20.31 (516) |
| 5 x 6 x 13.5XL | 5 | 6 | 12 (305) | 13 (330) | 6 (152) | 9 (229) | 4.19 (106) | 4.81 (122) | 5.19 (132) | 5.81 (148) | 1 (25) | 0.63 (16) | 10.5 (267) | 23 (584) | 12 (305) | 14.38 (365) | 24.56 (624) |
| 6 x 8 x 9.5L | 6 | 8 | 11 (279) | 10.5 (267) | 7 (178) | 8.25 (210) | 3.13 (79) | 1.88 (48) | 4.13 (105) | 2.88 (73) | 0.88 (22) | 0.5 (13) | 7 (178) | 16 (406) | 12 (305) | 13 (330) | 23.13 (587) |
| 6 x 8 x 11L | 6 | 8 | 12 (305) | 11 (279) | 6.13 (156) | 8.47 (215) | 4.63 (117) | 4.38 (111) | 5.63 (143) | 5.38 (137) | 1 (25) | 0.63 (16) | 10.5 (267) | 23 (584) | 8.38 (213) | 10.5 (267) | 21.25 (540) |
| 6 x 8 x 13.5XL | 6 | 8 | 12.63 (321) | 13.38 (340) | 6.5 (165) | 9.31 (237) | 4.5 (114) | 4.5 (114) | 5.5 (140) | 5.5 (140) | 1 (25) | 0.63 (16) | 10.5 (267) | 23 (584) | 12 (305) | 14.06 (357) | 25.06 (637) |
| 8 x 10 x 13.5XL | 8 | 10 | 15 (381) | 14 (356) | 8 (203) | 11 (279) | 4.5 (114) | 4.5 (114) | 5.5 (140) | 5.5 (140) | 1 (25) | 0.63 (16) | 10.5 (267) | 23 (584) | 12 (305) | 12.94 (329) | 26.44 (672) |

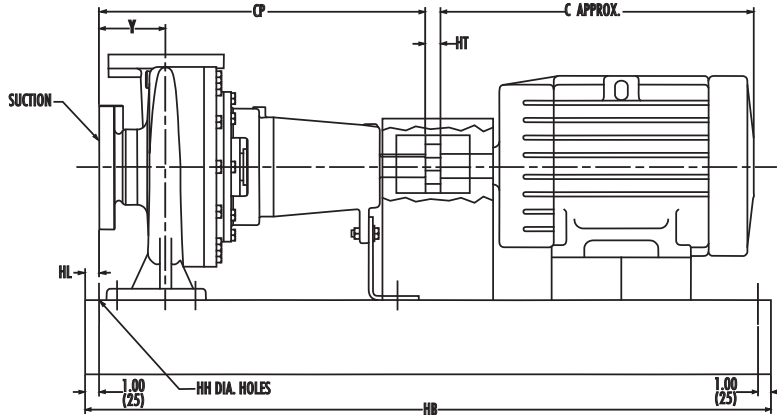
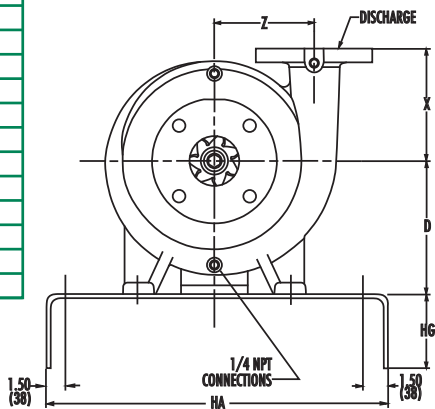
*Standard Flanges 125 lb. per ANSI B16.5

| POWER FRAME | U | V | KEY |
|-------------|--------------|--------------|-----------------------------------|
| Small | 1 (25) | 1.63 (41) | .25 SQ. x 1.25 LNG (6) x (30) |
| Large | 1.25 (32) | 1.75 (44) | .25 SQ. x 1.25 LNG (6) x (30) |
| Extra Large | 1.88 (48) | 3.5 (89) | .50 SQ. x 2.63 LNG (13) x (67) |

NOTES:

1. All dimensions in inches (mm).
 2. Dimensions may vary $\pm 1/4$.
 3. Not for construction purposes unless certified.
 4. S-denotes small power frame; L-denotes large power frame; XL-denotes extra large power frame.
- ◆ Available in 125# suction /250# discharge.

3344 Product Offering



| BASE | SIZE | HA | HB | HG | HH |
|------|---------|-------------|--------------|--------------|--------------|
| 1 | 12 X 30 | 12 (305) | 30 (762) | 3 (76) | 0.63 (16) |
| 2 | 12 X 34 | 12 (305) | 34 (864) | 3 (76) | 0.63 (16) |
| 3 | 12 X 38 | 12 (305) | 38 (965) | 3 (76) | 0.63 (16) |
| 4 | 13 X 45 | 13 (330) | 45 (1143) | 4 (102) | 0.75 (19) |
| 5 | 15 X 48 | 15 (381) | 48 (1219) | 3.38 (86) | 0.75 (19) |
| 6 | 18 X 50 | 18 (457) | 50 (1270) | 4 (102) | 0.75 (19) |
| 7 | 22 X 54 | 22 (559) | 54 (1372) | 4 (102) | 0.75 (19) |
| 8 | 26 X 54 | 26 (660) | 54 (1372) | 4 (102) | 0.75 (19) |
| 9 | 15 X 42 | 15 (381) | 42 (1067) | 0.38 (10) | 0.75 (19) |
| 10 | 18 X 42 | 18 (457) | 42 (1067) | 4 (102) | 0.75 (19) |
| 11 | 22 X 60 | 22 (559) | 60 (1524) | 4 (102) | 0.75 (19) |
| 12 | 26 X 60 | 26 (660) | 60 (1524) | 4.5 (114) | 0.75 (19) |
| 13 | 26 x 66 | 26 (660) | 66 (1676) | 4.5 (114) | 0.75 (19) |

*Standard Flanges 125 lb. per ANSI B16.5

| MOTOR HORSEPOWER AND FRAME DESIGNATION | | | | | | |
|--|----------|-------|----------|-------|----------|------|
| HORSEPOWER | 3600 RPM | | 1800 RPM | | 1200 RPM | |
| RATING | ODP | TEFC | ODP | TEFC | ODP | TEFC |
| 1/2 | 56 | - | 56 | 56 | 56 | 56 |
| 3/4 | 56 | 56 | 56 | 56 | 56 | 56 |
| 1 | 56 | 56 | 143T | 143T | 145T | 145T |
| 1-1/2 | 143T | 143T | 145T | 145T | 182T | 182T |
| 2 | 145T | 145T | 145T | 145T | 184T | 184T |
| 3 | 145T | 182T | 182T | 182T | 213T | 213T |
| 5 | 182T | 184T | 184T | 184T | 215T | 215T |
| 7-1/2 | 184T | 213T | 213T | 213T | 254T | 254T |
| 10 | 213T | 215T | 215T | 215T | 256T | 256T |
| 15 | 215T | 254T | 254T | 254T | 284T | 284T |
| 20 | 254T | 256T | 256T | 256T | 286T | 286T |
| 25 | 256T | 284TS | 284T | 284T | 324T | 324T |
| 30 | 284TS | 286TS | 286T | 286T | 326T | 326T |
| 40 | 286TS | 324TS | 324T | 324T | 364T | 364T |
| 50 | 324TS | 326TS | 326T | 326T | 365T | 365T |
| 60 | 326TS | 364TS | 364TS | 364TS | 404T | 404T |
| 75 | 364TS | 365TS | 365TS | 365TS | 405T | 405T |
| 100 | 365TS | 405TS | 404TS | 405TS | 444T | 444T |
| 125 | 404TS | 444TS | 405TS | 444TS | 445T | 445T |
| 150 | 405TS | 445TS | 444TS | 445TS | - | - |
| 200 | 444TS | - | 445TS | - | - | - |

| POWER FRAME | U | V | KEY |
|-------------|--------------|--------------|-----------------------------------|
| Small | 1 (25) | 1.63 (41) | .25 SQ. x 1.25 LNG (6) x (30) |
| Large | 1.25 (32) | 1.75 (44) | .25 SQ. x 1.25 LNG (6) x (30) |
| Extra Large | 1.88 (48) | 3.5 (89) | .50 SQ. x 2.63 LNG (13) x (67) |

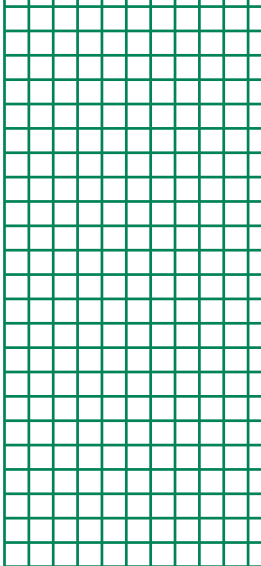
SEE DIMENSION SHEETS FOR ADDITIONAL DIMENSION DETAILS.

3344 Casing Working Pressure

With 125 lb flanges: 175 psi (maximum hydrostatic test pressure of 265 psi)
 With 250 lb flanges: Allowable total discharge pressure is limited to 1.5 times maximum pump shut off pressure for maximum diameter at highest available speed. Maximum hydrostatic test pressure is limited by the suction flange rating times 1.5 equaling 265 psi.

NOTES:

- Dimensions are approximate.
- Dimensions are in inches (mm) and may vary $\pm 1/4$ (6).
- Conduit box is shown in approximate position. Dimensions are not specified as they vary with each motor manufacturer.
- Not for construction purposes unless certified.



Aurora Pump 3340 Series Specifications

The contractor shall furnish (and install as shown on the plans) Aurora model (3341 horizontal close coupled) (3344 horizontal flexible coupled) back pull out centrifugal pump size...x...x... of bronze fitted construction.

Each pump shall have a capacity of ... GPM at ... ft of total head, with a temperature of ... F°, ... specific gravity. Each pump is to be furnished with a mechanical seal with all metals parts to be 303 stainless steel with "Buna-N" elastomers, ceramic seat, and carbon washer. The unit must be equipped with (bronze) key-locked shaft sleeve that extends the length of the seal plate. The pump shaft extension shall be gasket sealed from the pumped liquid. Impellers to be bronze cast, dynamically balanced, and key locked to the shaft.

Flexible Coupled-Frame Mounted (3344)

Pump and motor are to be mounted on a common fabricated steel base plate. The shaft is to be steel, installed in a cast iron power frame. Pumps shall have a shaft design of .002" deflection at the seal face with the pump running under maximum load condition. Grease ball bearings, have a 3-year minimum life (AFBMA B10) under the maximum condition of load. The pump shall be flexible coupled to a standard horizontal NEMA ... HP... phase ... Hertz... volts ...RPM (open drip proof) (totally enclosed fan cooled) motor. Alignment shall be checked in accordance with the standards of the Hydraulic Institute after installation and there shall be no strain transmitted to the pumps.

Close-coupled (3341)

Each pump is to be close coupled to a HI-NEMA-JM Series HP.... Phase ... Hertz... volts ...RPM (open drip proof) (totally enclosed fan cooled) motor.

All 3341 models shall have motors supplied with feet.

Material of Construction

| Pump Part | Bronze Fitted |
|---|---|
| Casing | Cast Iron ASTM A48 |
| Impeller | Bronze ASTM B584 |
| Seal Plate/Motor Bracket | Cast Iron ASTM A48 |
| Shaft | Steel AISI 1018 |
| Sleeve | Bronze ASTM B62 |
| Power Frame (3344) (Small, Large or X-Large) | Cast Iron ASTM A48 |
| Mechanical Seal | 303 stainless steel metal parts, "Buna-N" elastomer parts, Ceramic seat and carbon washer |

Design Details

| Area | Description | Power Frame | | |
|---------------|---|-------------|---------|---------|
| | | Small | Large | X-Large |
| Pump Shaft | Rotation—from driver end | CW | CW | CW |
| | Diameter at impeller | .88 | 1.25 | 1.63 |
| | Diameter at shaft sleeve | 1 | 1.38 | 1.75 |
| | Diameter between bearings | 1.94 | 2.50 | 2.56 |
| | Diameter at coupling end | 1 | 1.25 | 1.88 |
| | Coupling key—square | .25 | .25 | .50 |
| | Max. deflection at seal face | .002 | .002 | .002 |
| Ball Bearings | Bearing (inboard radial) | 6208 | 6309 | 6213 |
| | Bearing (outboard thrust) | 6308 | 6311 | 6313 |
| | Bearing centers | 3.63 | 5.44 | 7.25 |
| | Bearing type | Ball | Ball | Ball |
| | Min B ₁₀ bearing life under maximum load | 3 years | 3 years | 3 years |
| Sleeve | Outside diameter of sleeve | 1.25 | 1.63 | 2 |

NOTE: Aurora Pump reserves the right to make revisions to its products and their specifications, and to this bulletin and related information, without notice.

— Your Authorized Local Distributor —

motralec

4 rue Lavoisier . ZA Lavoisier . 95223 HERBLAY CEDEX
Tel. : 01.39.97.65.10 / Fax. : 01.39.97.68.48
Demande de prix / e-mail : service-commercial@motralec.com

www.motralec.com



NEMA

ap AURORA®
Pentair Water

AP-3340/Rev. B (10.07)

