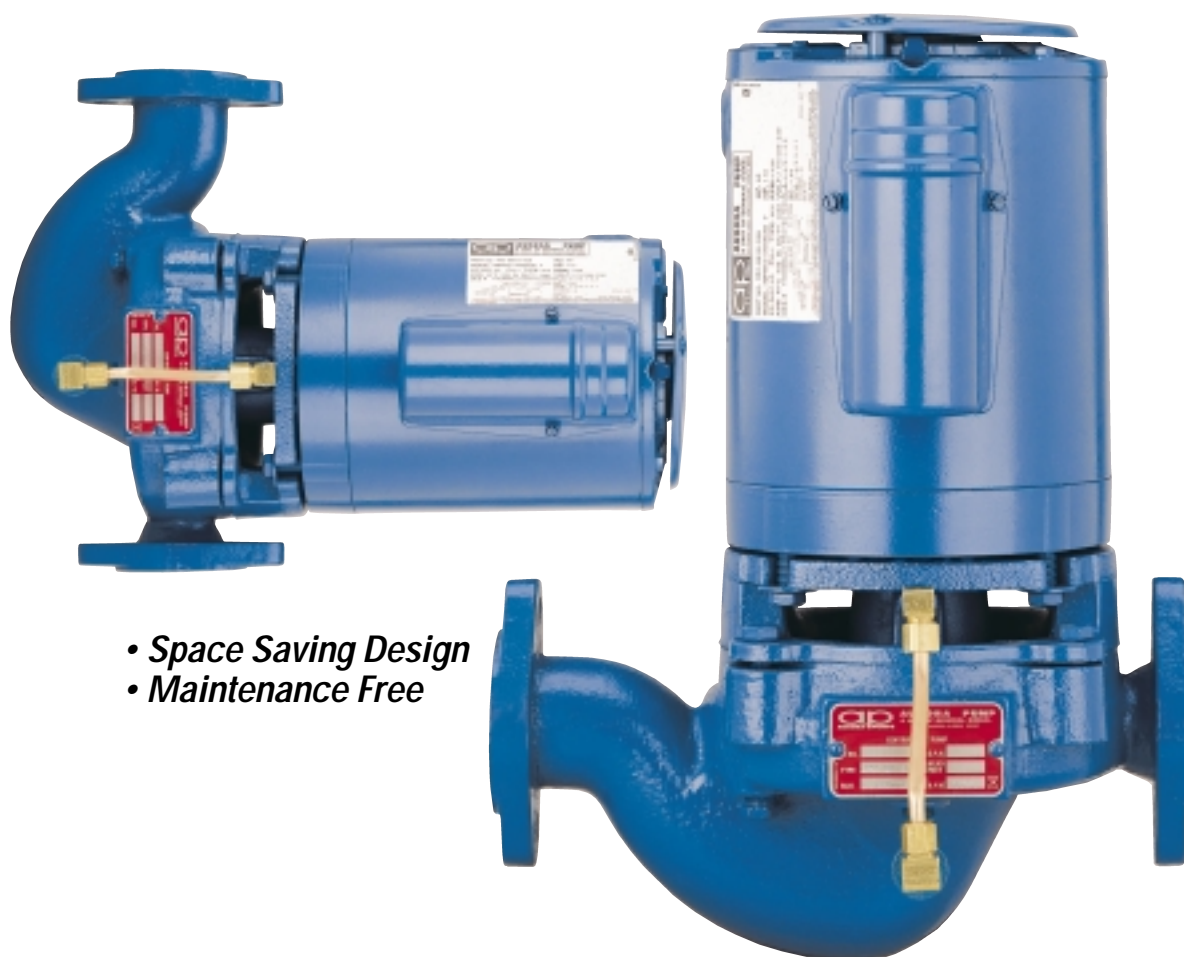


326A Series Commercial In-Line Mounted Centrifugal Pump

- Capacities to 140 G.P.M. (8.8lps)
- Heads to 55 Feet (16.8m)
- Temperatures to 225°F (107°C)



- *Space Saving Design*
- *Maintenance Free*

Universal Flange to Flange Dimensions

ap AURORA®
Pentair Pump Group

motralec

4 rue Lavoisier . ZA Lavoisier . 95223 HERBLAY CEDEX
Tel. : 01.39.97.65.10 / Fax. : 01.39.97.68.48
Demande de prix / e-mail : service-commercial@motralec.com
www.motralec.com

Aurora 326A Introduction

A Superior Commercial In-Line pump based on the Aurora Pump 320 series, that we have been manufacturing for over 45 years, has successfully met the severest demands of high temperature condensate service and boiler feed applications. The 326A In-Line's rugged design engineered specifically for commercial applications, giving it the advantage over competitive models.

COMMERCIAL PUMP UPGRADED DESIGN FEATURES

- Quieter operation with pump inlet straightening vane and Aurora Pump's unique low vibration and low noise engineered motor.
- Direct flange-to-flange compatibility allows installer to replace competitors pumps without time consuming piping and companion flange modifications.
- Hydrostatic tested pump casing to 1.5 times the maximum operating pressure.
- This compact pump is supported by the in-line piping thus allowing quick installation.
- Vacuum cast bronze impeller, (rather than plastic or stamped brass) for maximum efficiency and durability.
- Reduced spare parts - One seal and one motor design (GA) fits all pump models.
- Tapped suction and discharge gauge ports to verify pump performance as well as (3) casing drain port locations.
- Available in standard or build-to-order versions for optimum pump selection flexibility.
- Cast iron bronze fitted (standard), or optional all bronze/all iron constructions available.

MAINTENANCE FREE • LONG LASTING RELIABLE

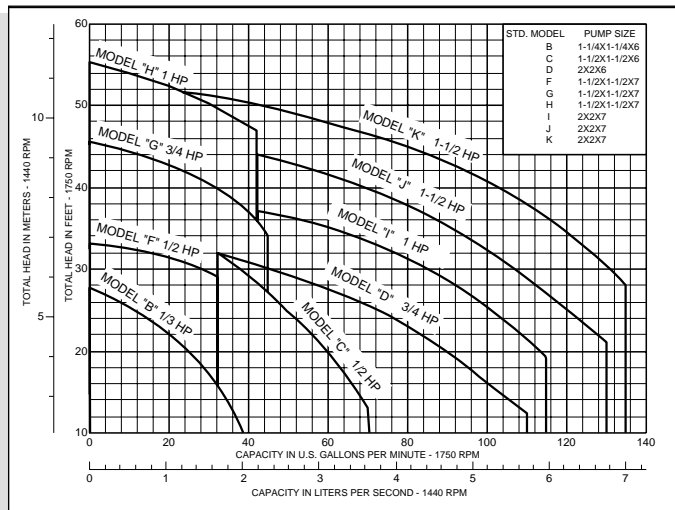
FEATURES THAT MAKE THE 326A PUMP SUPERIOR TO THE COMPETITION:

- Enlarged motor bearings with high temperature lubrication require no maintenance.
- Standard seal flush line assures proper mechanical seal lubrication and automatically vents air from the seal chamber for trouble-free operation.
- Stainless steel .75" (22mm) diameter oversized pump shaft for minimal shaft deflection, increasing mechanical seal life.
- Cast companion flange set packed with the pump (rather than stamped steel flanges.)
- Integral pump/motor shaft eliminates premature nuisance failures due to spring type couplings or shaft extensions.

RANGE CHARTS 326A IN-LINE

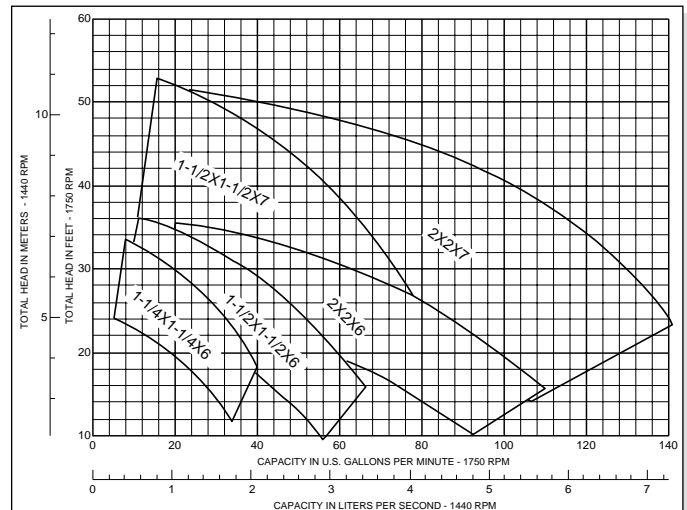
STANDARD MODELS

1750 (60hz)/1440 (50hz) RPM

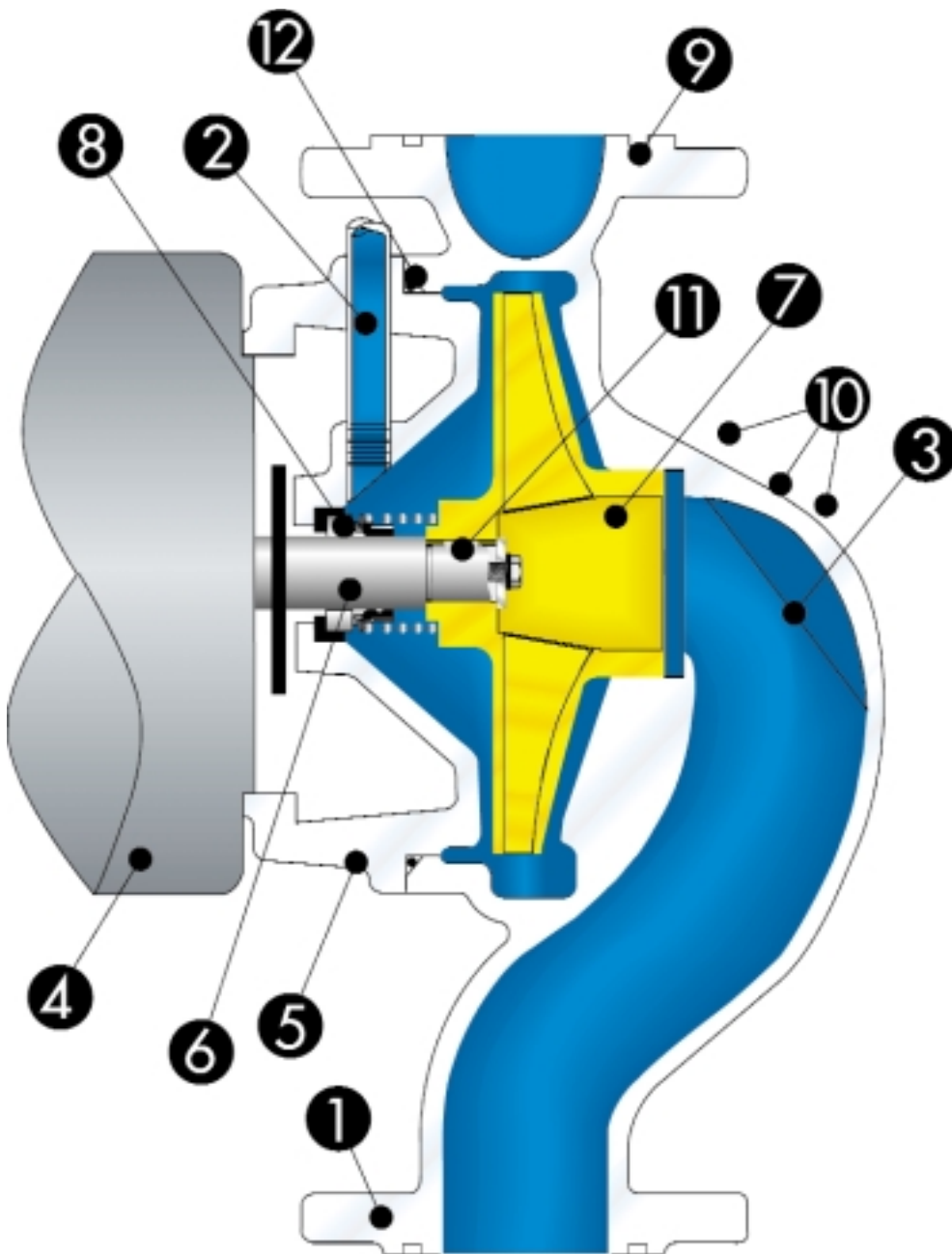


BUILD-TO-ORDER

1750(60hz)/1440 (50hz) RPM



Features



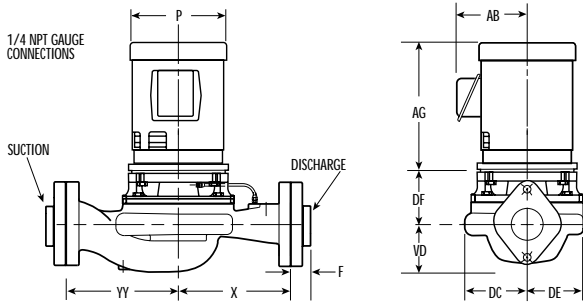
- 1 INDUSTRY STANDARD UNIVERSAL FLANGE-TO-FLANGE DIMENSIONS (direct replacement to competitor's models)
- 2 SEAL FLUSH LINE (automatic seal venting)
- 3 INLET STRAIGHTENING VANE (reduced noise)
- 4 STANDARD GA MOTOR, MAINTENANCE FREE (high temperature bearing lubrication)
- 5 BACK PULL-OUT DESIGN (quick disassembly)
- 6 STAINLESS STEEL SHAFT (large .75" diameter {22mm})

- 7 VACUUM CAST IMPELLER (higher pump efficiencies)
- 8 OVERSIZED .75" (22mm) HIGH TEMPERATURE MECHANICAL SEAL (reliable hot water service)
- 9 TAPPED SUCTION AND DISCHARGE GAUGE PORTS (pump performance test port)
- 10 THREE TAPPED CASING VENT PLUGS (easily accessible)
- 11 KEY DRIVEN IMPELLER (securely locked to shaft)
- 12 O-RING SEALED CASING (superior sealing)

Engineering Specifications and Dimensions

Material of Construction

PUMP PART	BRONZE FITTED	ALL IRON	ALL BRONZE
Casing	Cast Iron ASTM A48	Cast Iron ASTM A48	Bronze ASTM B62
Impeller	Bronze ASTM B584	Cast Iron ASTM A48	Bronze ASTM B584
Motor Bracket	Cast Iron ASTM A48	Cast Iron ASTM A48	Bronze ASTM B62
Shaft	Stainless Steel AISI 416	Stainless Steel AISI 416	Stainless Steel AISI 416
Mechanical Seal	Ni-Resist w/"Buna-N"	Ni-Resist w/"Buna-N"	Ceramic w/Viton



Notes:

- Dimensions and weights are approximate.
- All weights are in pounds or kilograms (kg)
- All dimensions are in inches or metric (mm) and may vary ± .25" (.6mm).
- Conduit box is shown in approximate position. Dimensions are not specified (as they vary with each motor manufacturer.)
- Add pump and motor weight for unit weight.
- Not for construction purposes unless certified.
- * 1 phase (145tcz), 3 phase (56cz)
- ** 1 phase (182tcz), 3 phase (145tcz)

Maximum operating pressure 175psi.

Maximum operating temperature 225°F (107°C)

MODEL	GA MOTOR HP	X	YY	VD	DF	DC	DE	F	PUMP WEIGHT	ODP MOTOR FRAME	ODP MOTOR WEIGHT	TEFC MOTOR WEIGHT	DIMENSIONS MAY VARY BY MANUFACTURE		
													AG	P	AB
1-1/4x1-1/4x6, MODEL "B"	1/3	4-1/2 (115)	6-1/2 (165)	3-3/8 (86)	2-7/8 (73)	3-1/2 (89)	3-1/2 (89)	7/8 (22)	17 (7.7)	56cz	25 (11.3)	Use 1/2 hp	11 (280)	6-5/8 (170)	5 (130)
1-1/4x1-1/4x6	1/2	4-1/2 (115)	6-1/2 (165)	3-3/8 (86)	2-7/8 (73)	3-1/2 (89)	3-1/2 (89)	7/8 (22)	17 (7.7)	56cz	30 (13.6)	40 (18.1)	11 (280)	6-5/8 (170)	5 (130)
1-1/2x1-1/2x6	1/3	4-1/2 (115)	7 (165)	3-3/4 (95)	2-7/8 (73)	3-1/2 (89)	3-3/4 (95)	7/8 (22)	23 (10.4)	56cz	25 (11.3)	Use 1/2 hp	11 (280)	6-5/8 (170)	5 (130)
1-1/2x1-1/2x6, MODEL "C"	1/2	4-1/2 (115)	7 (178)	3-3/4 (95)	2-7/8 (73)	3-1/2 (89)	3-3/4 (95)	7/8 (22)	23 (10.4)	56cz	30 (13.6)	40 (18.1)	11 (280)	6-5/8 (170)	5 (130)
1-1/2x1-1/2x6	3/4	4-1/2 (115)	7 (178)	3-3/4 (95)	2-7/8 (73)	3-1/2 (89)	3-3/4 (95)	7/8 (22)	23 (10.4)	56cz	35 (15.9)	Use 1 hp	11 (280)	6-5/8 (170)	5 (130)
2x2x6	1/2	4-3/4 (120)	6-3/4 (171)	3-3/4 (95)	2-7/8 (73)	3-3/4 (95)	4 (102)	7/8 (22)	23 (10.4)	56cz	30 (13.6)	40 (18.1)	11 (280)	6-5/8 (170)	5 (130)
2x2x6, MODEL "D"	3/4	4-3/4 (120)	6-3/4 (171)	3-3/4 (95)	2-7/8 (73)	3-3/4 (95)	4 (102)	7/8 (22)	23 (10.4)	56cz	35 (15.9)	Use 1 hp	11 (280)	6-5/8 (170)	5 (130)
2x2x6	1	4-3/4 (120)	6-3/4 (171)	3-3/4 (95)	2-7/8 (73)	3-3/4 (95)	4 (102)	7/8 (22)	23 (10.4)	56cz	40 (18.1)	50 (22.7)	11 (280)	6-5/8 (170)	5 (130)
1-1/2x1-1/2x7, MODEL "E"	1/2	5-1/2 (140)	8 (203)	4 (102)	2-7/8 (73)	4 (102)	4-1/4 (108)	7/8 (22)	25 (11.3)	56cz	30 (13.6)	40 (18.1)	11 (280)	6-5/8 (170)	5 (130)
1-1/2x1-1/2x7, MODEL "G"	3/4	5-1/2 (140)	8 (203)	4 (102)	2-7/8 (73)	4 (102)	4-1/4 (108)	7/8 (22)	25 (11.3)	56cz	35 (15.9)	Use 1 hp	11 (280)	6-5/8 (170)	5 (130)
1-1/2x1-1/2x7, MODEL "H"	1	5-1/2 (140)	8 (203)	4 (102)	2-7/8 (73)	4 (102)	4-1/4 (108)	7/8 (22)	25 (11.3)	56cz	40 (18.1)	50 (22.7)	11 (280)	6-5/8 (170)	5 (130)
1-1/2x1-1/2x7	1	5-1/2 (140)	8 (203)	4 (102)	2-7/8 (73)	4 (102)	4-1/4 (108)	7/8 (22)	25 (11.3)	56cz	40 (18.1)	50 (22.7)	11 (280)	6-5/8 (170)	5 (130)
1-1/2x1-1/2x7	1-1/2	5-1/2 (140)	8 (203)	4 (102)	2-7/8 (73)	4 (102)	4-1/4 (108)	7/8 (22)	25 (11.3)	56cz	40 (18.1)	50 (22.7)	11 (280)	6-5/8 (170)	5 (130)
2x2x7, MODEL "I"	3/4	6 (152)	8 (203)	4 (102)	2-7/8 (73)	4-1/4 (108)	4-3/4 (121)	13/16 (21)	26 (11.8)	56cz	35 (15.9)	Use 1hp	11 (280)	6-5/8 (170)	5 (130)
2x2x7	1	6 (152)	8 (203)	4 (102)	2-7/8 (73)	4-1/4 (108)	4-3/4 (121)	13/16 (21)	26 (11.8)	56cz	40 (18.1)	50 (22.7)	11 (280)	6-5/8 (170)	5 (130)
2x2x7, MODEL "J" & "K"	1-1/2	6 (152)	8 (203)	4 (102)	2-7/8 (73)	4-1/4 (108)	4-3/4 (121)	13/16 (21)	26 (11.8)	*	55 (24.9)	60 (27.2)	11 (280)	6-5/8 (170)	5 (130)
2x2x7	2	6 (152)	8 (203)	4 (102)	2-7/8 (73)	4-1/4 (108)	4-3/4 (121)	13/16 (21)	26 (11.8)	**	55 (24.9)	60 (27.2)	11 (280)	6-5/8 (170)	5 (130)

HOW TO SPECIFY IN-LINE MOUNTED CENTRIFUGAL PUMP (326A)

The contractor shall furnish and install in location as shown on the plan an Aurora Pump Type 326A In-Line Centrifugal Pump, single stage design size.....(bronze fitted) (all iron) (all bronze) construction. The pump shall have a capacity ofG.P.M. atft. total head andspecific gravity. The pump mechanical seal is to be a "Buna-N" bellows, Ni-Resist seat, and hot water carbon washer. The pump shall be capable of mounting horizontally or vertically. The pump is to be close-coupled to a NEMA motor ofH.P.,phase,R.P.M.,(drip proof) (totally enclosed) enclosure, with stainless steel motor shaft. The motor shall be designed to Aurora Pump's specifications as to vibration limits.

NOTE: Aurora Pump reserves the right to make revisions to its products and their specifications, and to this bulletin and related information, without notice.

— Your Authorized Local Distributor —

motralec
 4 rue Lavoisier . ZA Lavoisier . 95223 HERBLAY CEDEX
 Tel. : 01.39.97.65.10 / Fax. : 01.39.97.68.48
 Demande de prix / e-mail : service-commercial@motralec.com
www.motralec.com

