

Fiche produit Motralec Arven WORKER - fiche technique | Motralec

■ **DEMANDE DE PRIX RAPIDE** : <https://www.motralec.com/demandeContact>

WORKER



motralec

4 rue Lavoisier . ZA Lavoisier . 95223 HERBLAY CEDEX
 Tél. : 01.39.97.65.10 / Fax. : 01.39.97.68.48
 Demande de prix / e-mail : service-commercial@motralec.com
www.motralec.com

ELETTROPOMPE SOMMERSIBILI MONOBLOCCO MULTISTADIO VERTICAL PER POZZI DA 8 e 10 POLLICI VERTICAL SUBMERSIBLE MULTI STAGE ELECTRIC PUMPS FOR 8 AND 10 INCH WELLS

PREVALENZA : 42 mt. ÷ 91 mt.
PORTATA : 27 m³/h ÷ 30 m³/h
POTENZA NOMINALE : 2,2 Kw (3HP) ÷ 7,5 Kw (10HP)

PUMP HEAD : 42 m to 91 m
DELIVERY : 27 m³/h to 30 m³/h
RATED HORSEPOWER : 2,2 kW (1.5HP) to 7.5 kW (10HP)

APPLICAZIONI

- PARTICOLARMENTE INDICATE NEL SETTORE AGRICOLO PER IRRIGAZIONE, POMPAGGIO DI ACQUA DA VASCHE O SERBATOI DI PRIMA RACCOLTA, POZZI DA 8 A 10 POLLICI POCO PROFONDI 10-20 MT, BACINI E CORSI D'ACQUA
- MOVIMENTAZIONE NEL SETTORE INDUSTRIALE DI ACQUE DI RAFFREDDAMENTO E DI ALIMENTAZIONE E SCARICO.
- PRESSURIZZAZIONE CON POMPA INSERITA NEL SERBATOIO O POZZO
- FONTANE.

APPLICATIONS

- PARTICULARLY SUITED TO THE AGRICULTURAL AND FARMING SECTORS FOR IRRIGATION PURPOSES, FOR CATCH TANK AND RESERVOIR CATCH-WATER PUMP OUT, FROM 8 TO 10 INCH WELL, WITH 10-20 MT DEEP, WATER BASIN AND WATER DRAIN FLOW PUMP OUT.
- FOR INDUSTRIAL COOLING, FEED-IN AND DISCHARGE WATER HANDLING.
- FOR PRESSURISATION, WITH TANK OR WELL PUMP INCLUSION.
- FOR FOUNTAINS.



CARATTERISTICHE DI COSTRUZIONE

- MOTORE A BAGNO D'OLIO (BIODEGRADABILE E DIELETTRICO) PER RAFFREDDAMENTO E LUBRIFICAZIONE CUSCINETTI.
- DOPPIA TENUTA MECCANICA: LATO MOTORE A BAGNO D'OLIO. LATO POMPA A BAGNO D'ACQUA.
- IMMERSIONE MASSIMA: mt. 20 .
- GRADO DI PROTEZIONE IP 68 .
- CLASSE DI ISOLAMENTO: F
- TEMPERATURA MAX. LIQUIDO POMPATO: 50°C
- VERSIONI:
Trifase: 220-277V/ 50Hz o 380 – 480V / 50Hz e 220-277V/ 60Hz o 380 – 480V /60Hz con protezione da sovraccarico a cura dell'utente
- POTENZA MOTORE: DA 3 Hp a 10 Hp SOLO VERSIONI TRIFASE.
- CAVO STANDARD:
Trifase: 10 metri H07RN-F senza spina

SPECIALI VOLTAGGI E FREQUENZE A RICHIESTA.

ACCESSORI DISPONIBILI A RICHIESTA:

- QUADRO ELETTRICO TRIFASE DI PROTEZIONE E COMANDO AUTOMATICO A MEZZO DI GALLEGGIANTE ELETTROMECCANICO.
- GALLEGGIANTE 10-20 mt. DI CAVO.
- RACCORDI E PORTAGOMMA DA 3" IN ALLUMINIO

DESIGN ENGINEERING

- OIL BATH MOTOR (BIODEGRADABLE AND DIELECTRIC) FOR COOLING AND BEARING LUBRICATION.
- DOUBLE MECHANICAL SEALS: ENGINE FACE: OIL BATH. PUMP FACE: WATER BATH.
- PERMISSIBLE DRAUGHT OF WATER: 20 m
- IP 68 PROTECTION CLASS.
- CLASS "F" INSULATION.
- MAX. PUMPED LIQUID TEMPERATURE: 50°C
- VERSIONS:
Three Phase: 220-277V/ 50Hz or 380 – 480V / 50Hz and 220-277V/ 60Hz or 380 – 480V /60Hz with overload protection care of the User.
- MOTOR POWER: From 3 HP to 10 HP Only three phase versions.
- STANDARD CABLE FEATURES:
Three Phase: 10 metres H07RN-F without plug

CUSTOMISED VOLTAGE AND FREQUENCY RATING AVAILABLE ON DEMAND.

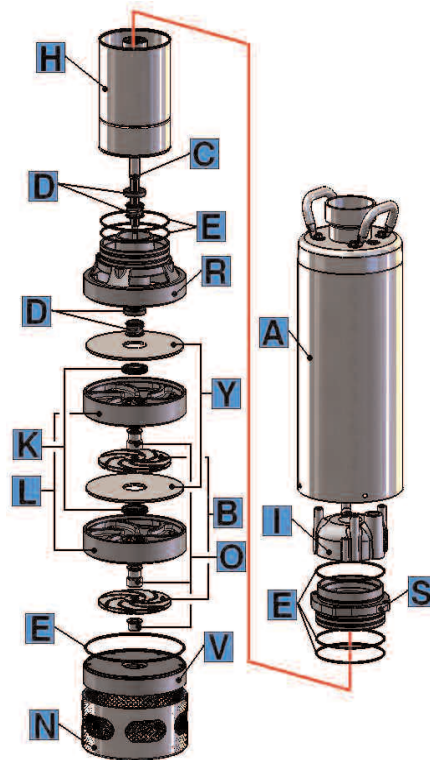
ACCESSORIES AVAILABLE ON DEMAND:

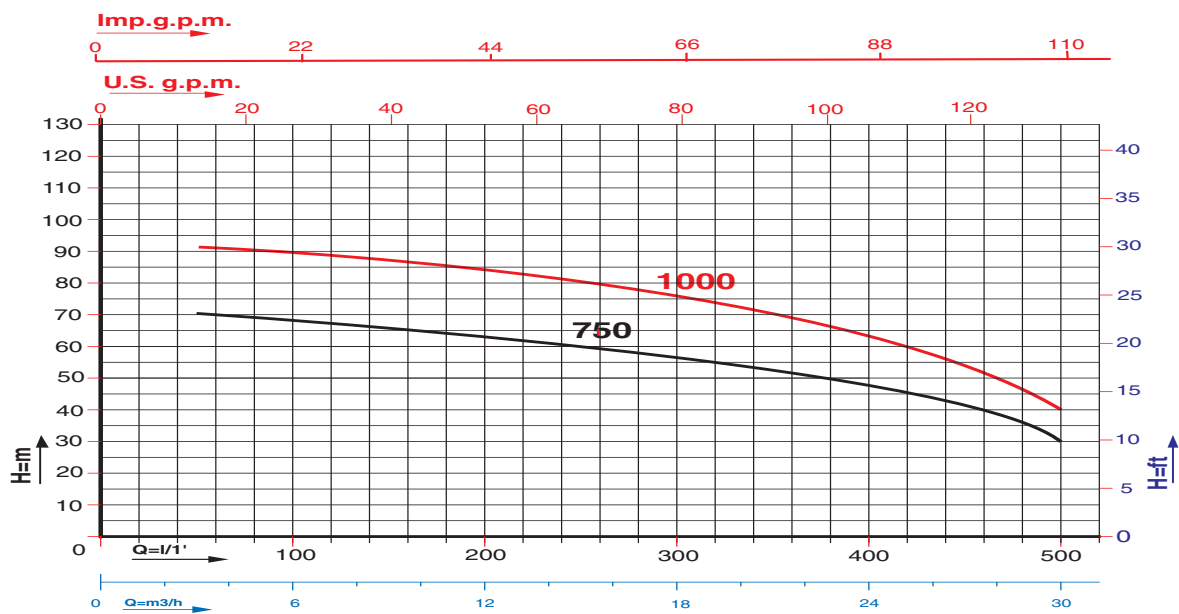
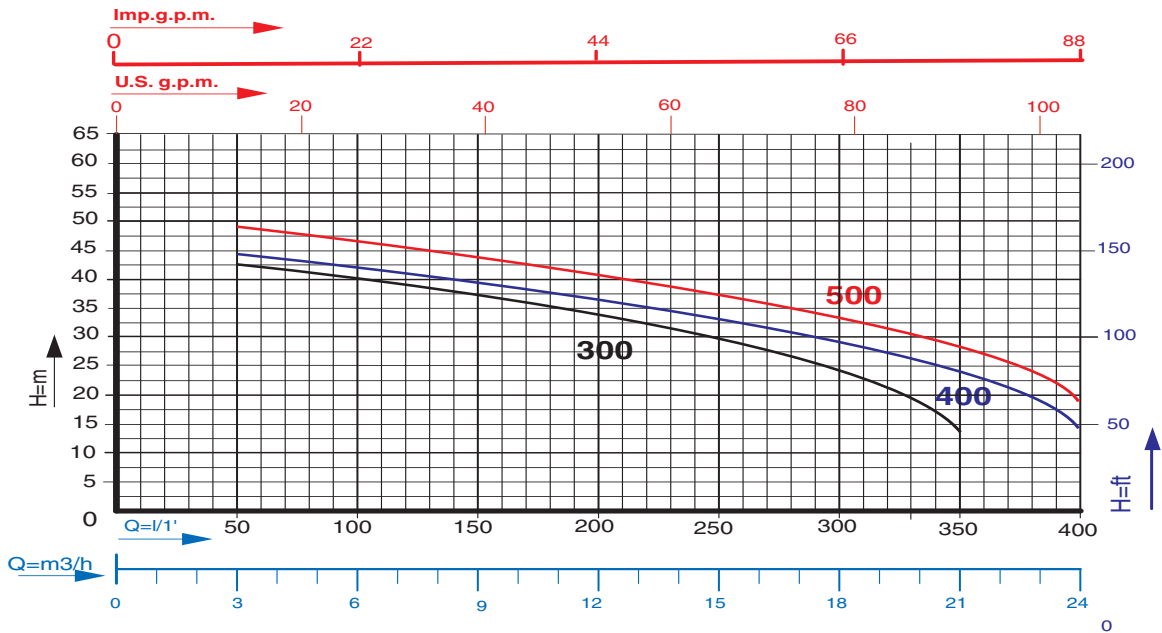
- THREE PHASE ELECTRICAL SAFETY POWER SUPPLY BOX WITH AUTOMATIC ELECTROMECHANICAL FLOATER CONTROLS.
- FLOATER CONTROLS 10-20 mt. ELECTRIC CABLE.
- CONNECTION PIECES FROM 3" CONNECTING NOZZLE IN ALUMINIUM.

TABELLA MATERIALI / MATERIALS TABLE:

Pos.	Componente / Component	Materiale / Materials
A	Carcassa esterna con calotta e maniglie <i>External housing with cap and handles</i>	ACCIAIO INOX AISI 304 DIN 1.4301 STAINLESS STEEL
B	Girante / Impeller	
C	Albero (lato pompa) / Shaft (pump side)	ACCIAIO INOX AISI 316 DIN 1.4401 / STAINLESS STEEL
D	Tenuta meccanica <i>Mechanical seal</i>	Lato pompa / Pump side CARBURO DI SILICIO-ALLUMINA / SILICON CARBIDE-ALUMINA
		Lato motore / Motor side CARBONE ALLUMINA CARBIDE ALUMINA
E	O-ring	NBR
H	Carcassa motore / Motor housing	ACCIAIO INOX AISI 304 DIN 1.4301 / STAINLESS STEEL
I	Coperchio / Cover	GHISA (G20) CAST IRON
L	Diffusore / Diffuser	
M	Griglia / Greed	ACCIAIO INOX AISI 304 DIN 1.4301 / STAINLESS STEEL
O	Distanziale / Sleeve	
R	Flangia inferiore / Upper flange	GHISA (G20) CAST IRON
S	Flangia superiore / Upper flange	
K	Guarnizione / Gasket	NBR
V	Convogliatore / Conveyor	GHISA (G20) CAST IRON
Y	Piattello / Disk base	ACCIAIO / STEEL

WORKER 300-400-500-750-1000

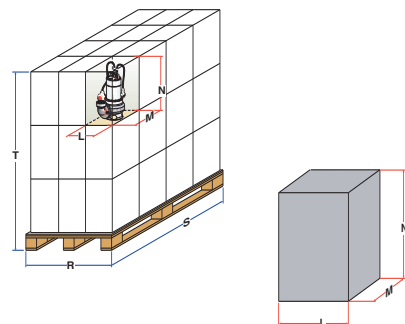
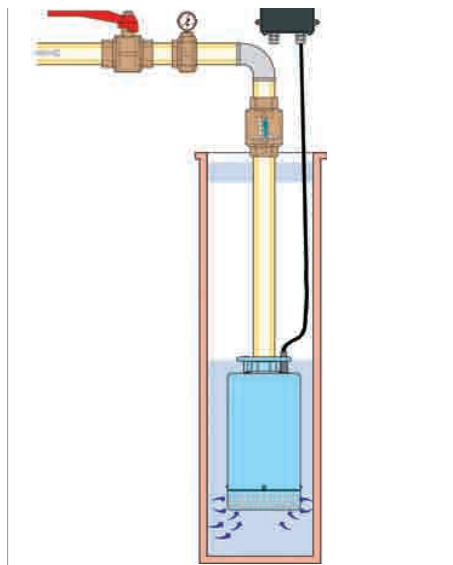
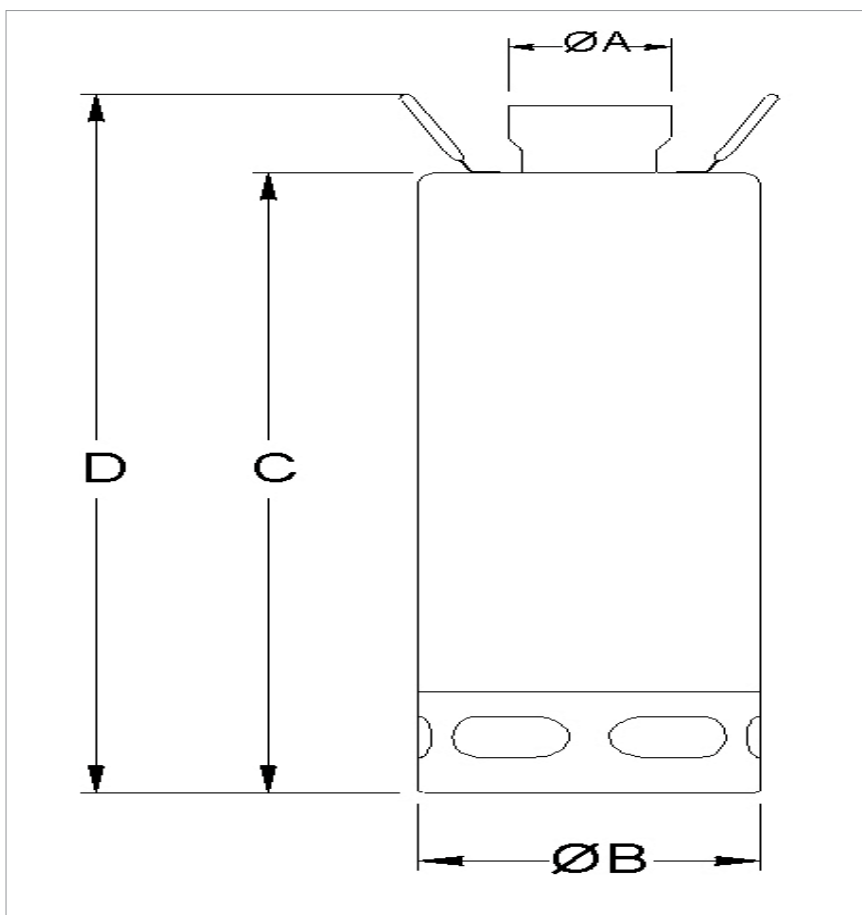




Caratteristiche di funzionamento a 2800 rpm 50Hz e 3450 rpm 60Hz - Performances at 2800 rpm 50 Hz and 3450 rpm 60 Hz
 Le prestazioni valgono per liquidi con densità $\rho = 1,0 \text{ kg/dm}^3$ ed una viscosità $\nu = 1 \text{ mm}^2/\text{s}$ / The performance data holds true for liquids with a $\rho = 1,0 \text{ kg/dm}^3$ density and a $\nu = 1 \text{ mm}^2/\text{s}$ viscosity.

MODELLO MODEL	VOLTAGGIO VOLTAGE 50 Hz	DATI ELETTRICI / ELECTRICAL DATA					DATI IDRAULICI / HYDRAULIC DATA (2850 min ⁻¹)									
		P1 max Kw	P2 nom. Kw	I max HP	I max Ampere	Condensatore Capacitor μF	VC	m³/h	3	6	9	12	15	21	24	27
WORKER 300T	3 x 380-400V	3,0	2,2	3,0	6,0	---	---	50	100	150	200	250	350	400	450	500
WORKER 400T	3 x 380-400V	3,9	3,0	4,0	6,6	---	---	42,0	40,0	37,0	33,0	28,0	13,0			
WORKER 500T	3 x 380-400V	4,9	3,7	5,0	9,8	---	---	44,0	42,0	38,0	36,0	32,0	22,0	14,0		
WORKER 750T	3 x 380-400V	7,3	5,5	7,5	12,6	---	---	49,0	47,0	43,0	41,0	37,0	27,0	18,0		
WORKER 1000T	3 x 380-400V	10,1	7,5	10,0	15,6	---	---	70,0	68,0	65,0	63,0	60,0	52,0	48,0	40,0	30,0
								91,0	90,0	86,0	84,0	80,0	69,0	64,0	53,0	40,0

DIMENSIONI / SIZE AND WEIGHT DATA



MODELLO / MODEL	DIMENSIONI POMPA in mm. / PUMP DIMENSIONS in mm.								
	A	B	C	D					
WORKER 300 T	3"	204	584	651					
WORKER 400 T	3"	204	584	651					
WORKER 500 T	3"	204	584	651					
WORKER 750 T	3"	204	584	651					
WORKER 1000 T	3"	204	584	651					

MODELLO / MODEL	DIMENSIONI SCATOLA / PACKING DIMENSIONS				DIMENSIONI PALLET / PALLET DIMENSIONS				
	L mm.	M mm.	N mm.	Peso / Weight Kg.	R mm.	S mm.	T mm.	nr. scatole/cartons	Peso / Weight Kg.
WORKER 300 T	720	400	260	38	800	1200	900	25	955
WORKER 400 T	720	400	260	43	800	1200	900	25	1080
WORKER 500 T	720	400	260	48	800	1200	900	25	1205
WORKER 750 T	900	400	260	57	800	1200	900	18	1031
WORKER 1000 T	900	400	260	68	800	1200	900	18	1229

Besoin d'un prix ou d'un conseil technique ?

Arven WORKER

★★★★★ 4,7/5 . +600 avis Google

- Devis rapide et conseil technique par nos spécialistes
- Plus de 200 000 références et 30 marques distribuées
- Vente, réparation, bobinage et SAV en atelier
- Livraison partout en France, accompagnement avant et après-vente

DEMANDER UN PRIX >