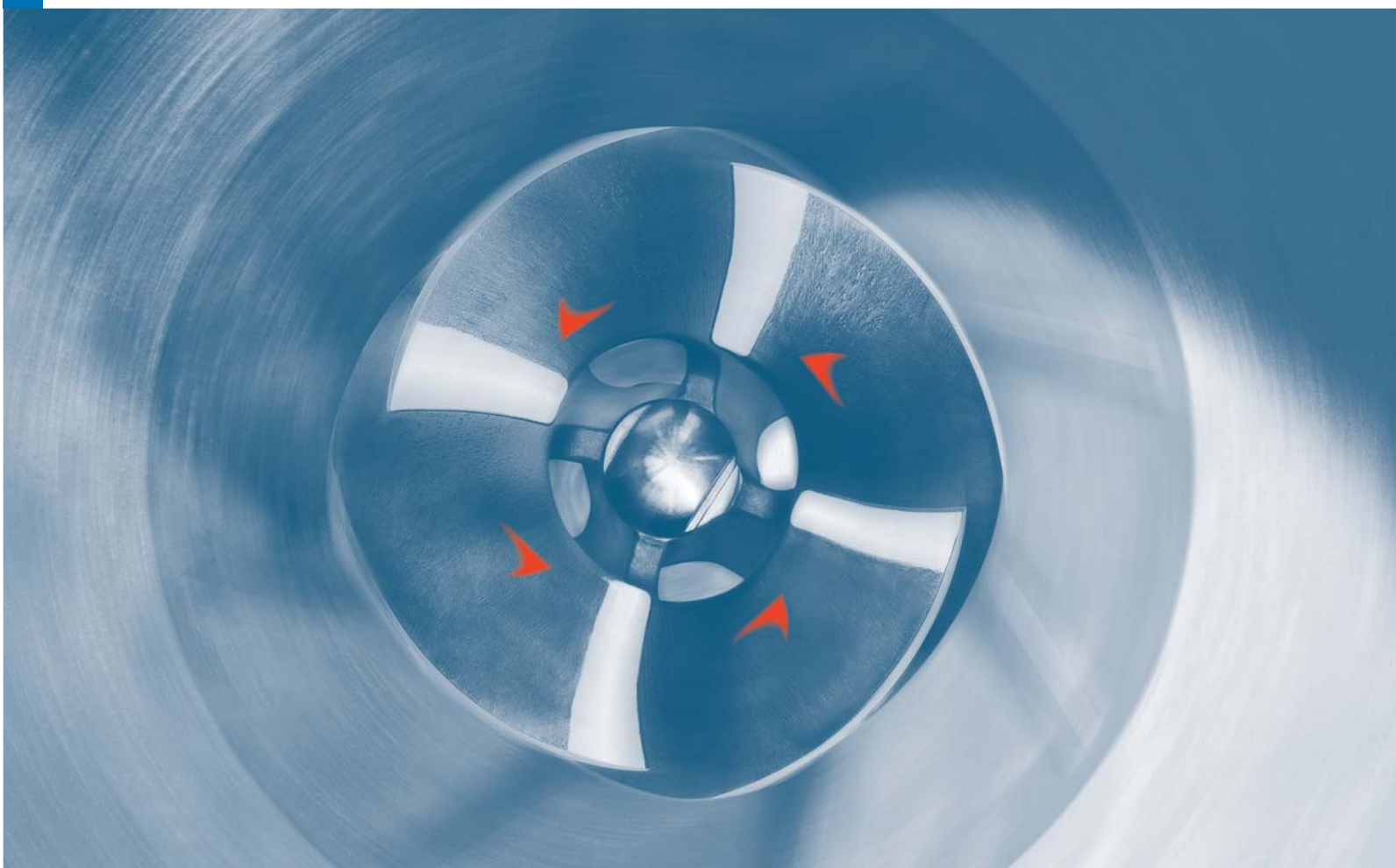


ANDRITZ Medium-Consistency Pump

MC Series



motralec

4 rue Lavoisier . ZA Lavoisier . 95223 HERBLAY CEDEX
Tel. : 01.39.97.65.10 / Fax. : 01.39.97.68.48

Demande de prix / e-mail : service-commercial@motralec.com

www.motralec.com

Highest efficiencies without vacuum pump

For over 100 years ANDRITZ has been a byword for competence and innovation in designing and building centrifugal pumps.

As suppliers of complete production systems for the pulp and paper industry, we have acquired broad expertise of the related process technologies – the basis for our successful development of components for conveying paper stock and pulp.

The newly developed ANDRITZ Medium-Consistency Pump, MC Series, sets new standards in conveying medium-consistency stock suspensions. It fulfills highest customer expectations regarding efficiency, life cycle, maintenance friendliness and economic efficiency.

All pump parts are manufactured according to the highest quality standards in our ISO certified workshops. The superior quality of our products derives from compliance with these stringent requirements.

Fields of application:

Conveyance of stock suspensions of up to 16% bone dry in the pulp and paper industry, e.g.

- Chemical pulp
- Mechanical pulp
- Waste paper
- Molasses

The facts:

- Degassing without internal or external vacuum pump
- Flow rates up to 5,000 admt/d
- Heads up to 195 m
- Stock temperatures up to 140 °C (pressureless infeed)
- Stock consistencies up to 16% bone dry
- Pressure up to 25 bar – depending on pump size
- Efficiencies up to 70%



Technology to convince you

The high standard of ANDRITZ Medium Consistency Pumps, MC Series, is based on decades of experience in designing hydraulic machines and on extensive process know-how.

New ANDRITZ MC technology

Conveying medium-consistency stock in the pulp and paper industry is a complex task. The solution provided by ANDRITZ offers a complete system designed to customer requirements.

Reduced costs

- Control valve is mounted directly to the pressure flange (without an adaptor)

Reduced chemical consumption

- Fluidically optimized blending

Improved bearing lifespan

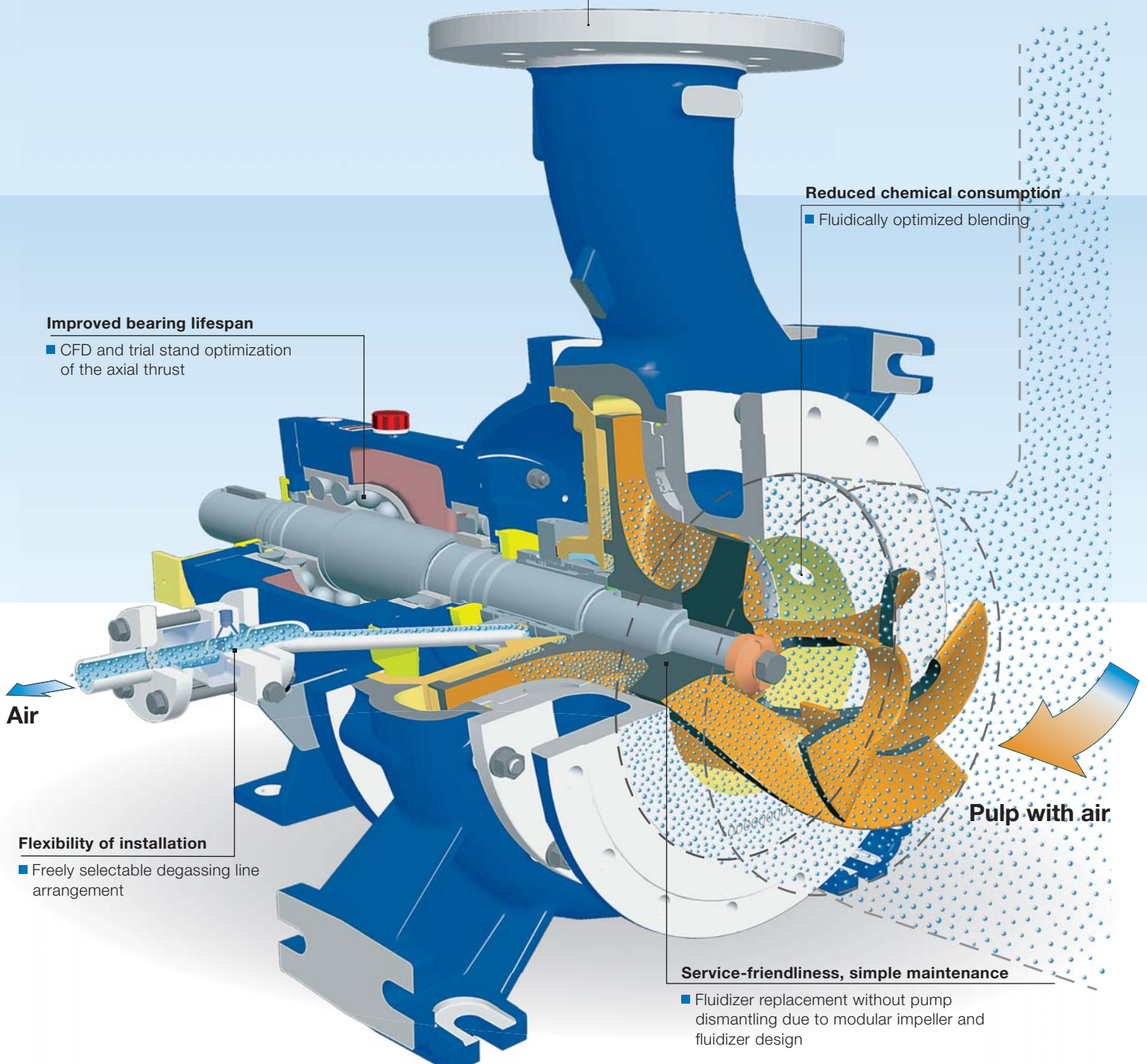
- CFD and trial stand optimization of the axial thrust

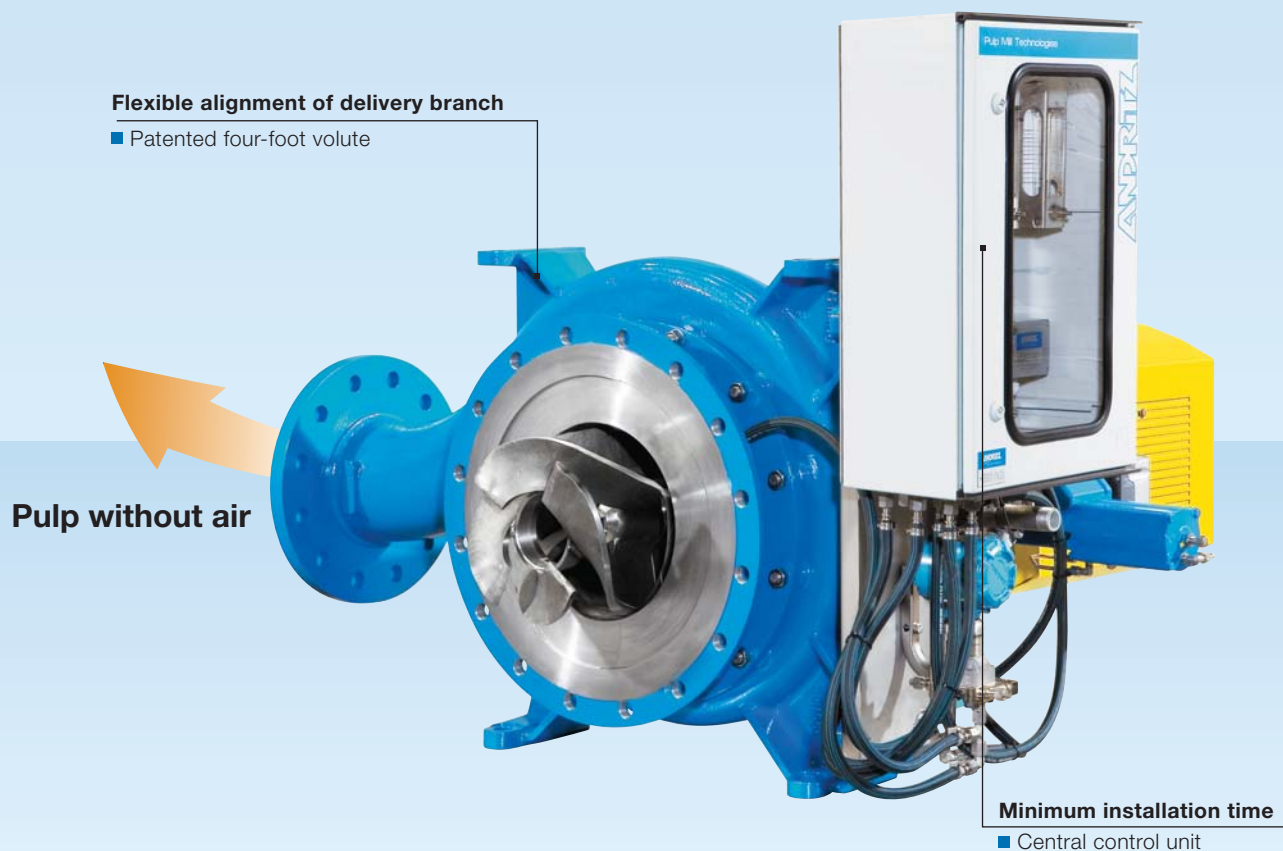
Flexibility of installation

- Freely selectable degassing line arrangement

Service-friendliness, simple maintenance

- Fluidizer replacement without pump dismantling due to modular impeller and fluidizer design





Patented degassing system

ANDRITZ offers the first practically tested single-shaft solution for pumping MC stock. Due to the patented new degassing system no vacuum pump is needed for any operating range. Use of new methods for stock degassing and fluidization makes the advanced ANDRITZ MC technology especially attractive.

Advantages:

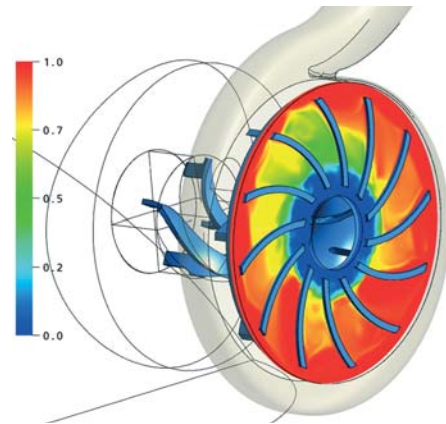
- Good homogenization of the stock
- No fibre loss during degassing process
- Simple handling (no need for vacuum level control)

Innovative stock degassing system

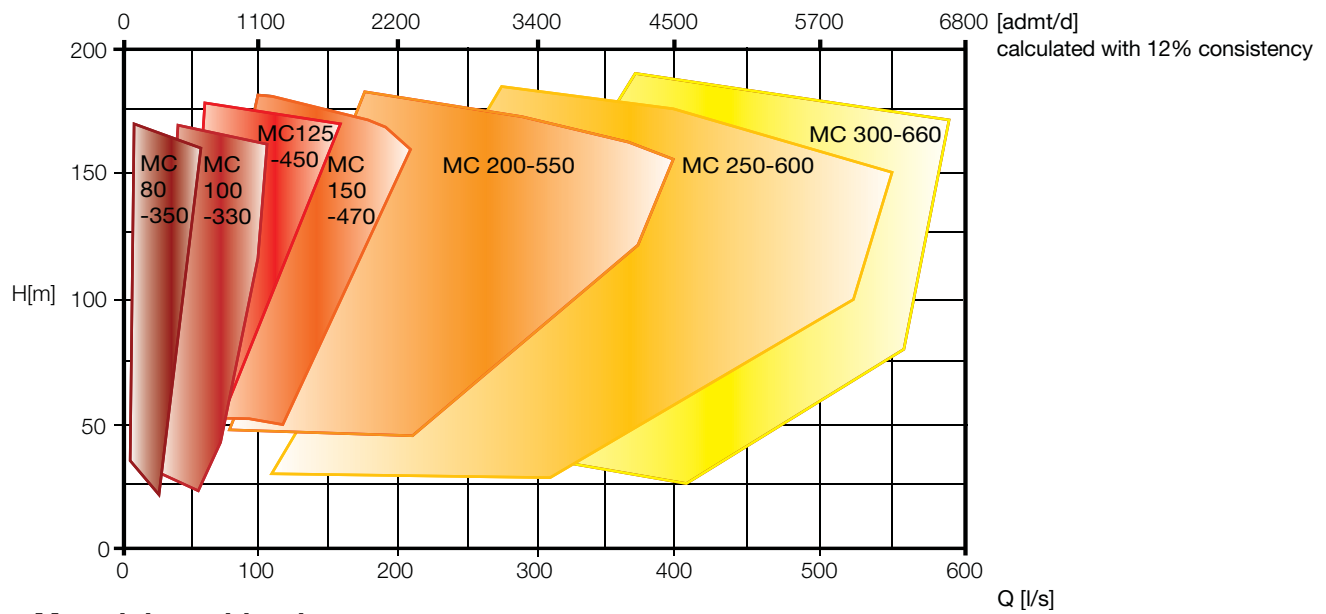
High research and development capabilities

Extensive test series carried out at the in-house test rigs have made a key contribution towards optimizing the degassing process. The newly developed ANDRITZ MC Pump operates without an internal or external vacuum pump.

Efficiencies of up to 70% and a minimum of components increase the effectiveness of our pump technology. Further strengths of our new design are a high degree of energy saving and short service times due to the modular structure of the ANDRITZ MC Pump.



Characteristic curves

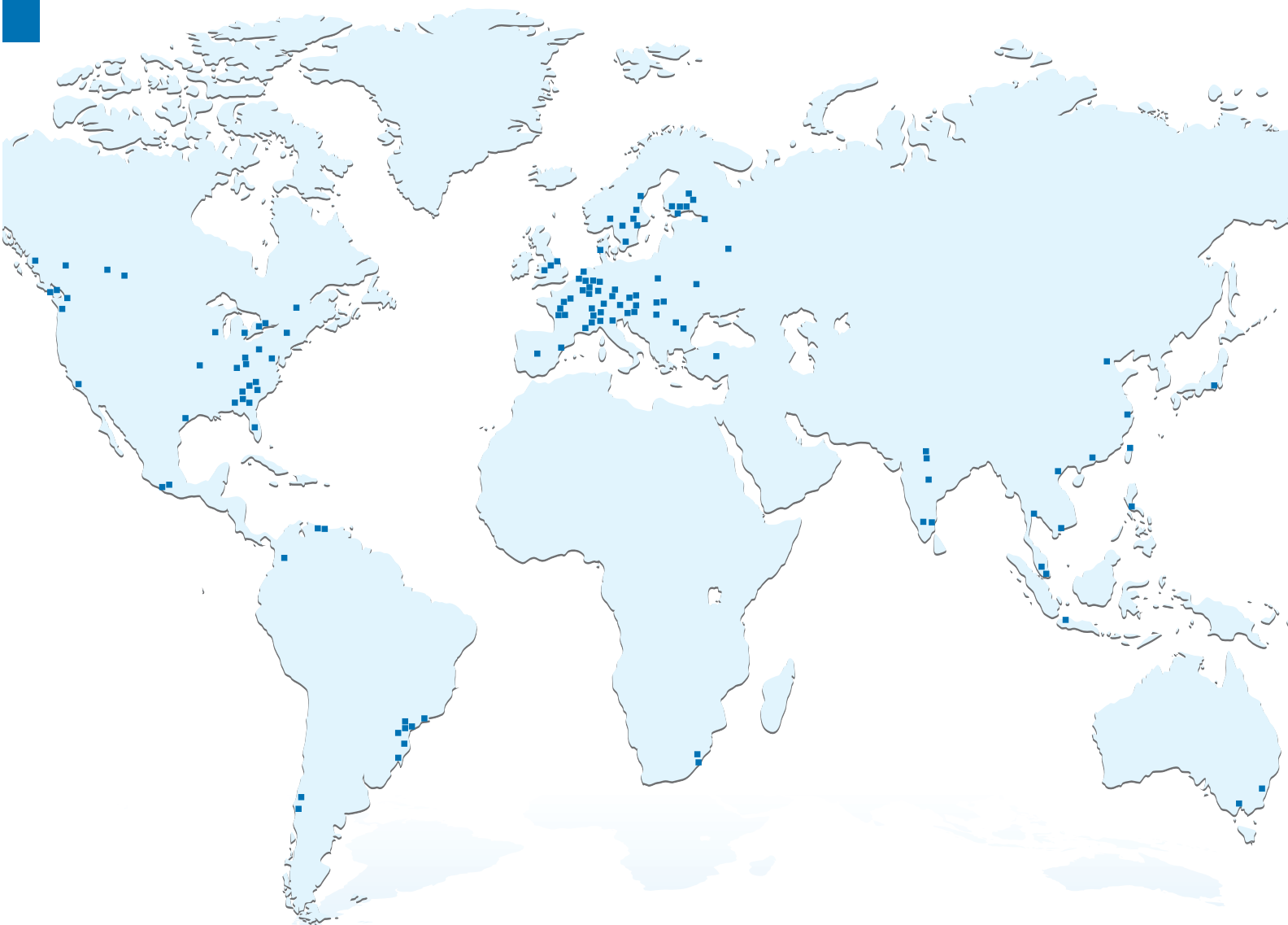


Material combinations

MC Series	EN-GJL 250	1.4460	1.4462	1.4517	1.4517 h	1.4469	1.4468
Impeller		■			■	■	
Casing/casing cover		■		■		■	■
Bearing housing	■						■
Front lining		■			■	■	
Key on motor side			■				
Fluidisator		■		■		■	
Suction flange		■				■	
Shaft			■				

European standard		US standard	
Number	Name	Grade	UNS
EN-JL1040	EN-GJL 250	Class 40B	/
1.4460	X3CrNiMoN27-5-2	Grade 1A	J93370
1.4462	X2CrNiMoN22-5-3	S32205	S32205
1.4517	GX2CrNiMoCuN25-6-3-3	Grade 1C	J93373
1.4517 hardened	GX2CrNiMoCuN25-6-3-3	Grade 1C	J93373

Close to our customers



motralec

4 rue Lavoisier . ZA Lavoisier . 95223 HERBLAY CEDEX
Tel. : 01.39.97.65.10 / Fax. : 01.39.97.68.48
Demande de prix / e-mail : service-commercial@motralec.com
www.motralec.com

HPU.mc.02.eng.09.09