

**Alltech**

Dosieranlagen  
mit Know-how



## SERVOSET Stroke length positioning system

### Remote capacity control via stroke length

The stroke length positioning system SERVOSET is suitable for mounting on all piston-diaphragm dosing pumps of the FKM and FKMU series.

Even the retrofitting of FKM pumps with a SERVOSET unit is easily possible.

The actuator with integrated electronic positioning regulator and limit switches adjusts the stroke length of the dosing pump proportionally to the input signal.

The adjustment is linear and infinitely variable in the range of 0 to 100 percent.

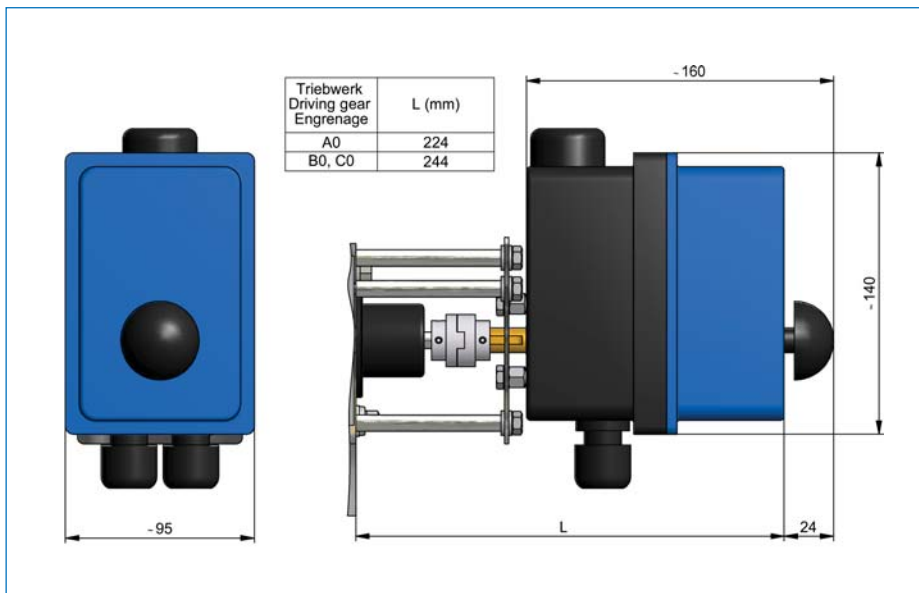
A local position indication is available. An analogue output is provided for remote indication.

Manual pump operation is possible by decoupling the unit.

**motralec**

4 rue Lavoisier . ZA Lavoisier . 95223 HERBLAY CEDEX  
Tel. : 01.39.97.65.10 / Fax. : 01.39.97.68.48  
Demande de prix / e-mail : [service-commercial@motralec.com](mailto:service-commercial@motralec.com)  
[www.motralec.com](http://www.motralec.com)

## Dimensional drawing Servoset



### Technical specifications:

Driving signal: 0-10 V, 4-20 mA  
Voltage: 230 V, 50/60 Hz  
Power consumption: max. 12 W  
Adjustment time: 45 sec.  
Range of adjustment: 0-270°  
Protection class: IP65  
Weight: 0.8 kg

**Alltech**  
Dosieranlagen  
mit Know-how

**motralec**

4 rue Lavoisier . ZA Lavoisier . 95223 HERBLAY CEDEX  
Tel. : 01.39.97.65.10 / Fax. : 01.39.97.68.48  
Demande de prix / e-mail : [service-commercial@motralec.com](mailto:service-commercial@motralec.com)  
[www.motralec.com](http://www.motralec.com)