

## GRUNDFOS ALLDOS DME

**motralec**

4 rue Lavoisier . ZA Lavoisier . 95223 HERBLAY CEDEX

Tel. : 01.39.97.65.10 / Fax. : 01.39.97.68.48

Demande de prix / e-mail : [service-commercial@motralec.com](mailto:service-commercial@motralec.com)

[www.motralec.com](http://www.motralec.com)



## DIGITAL DOSING™ up to 150 l/h

By popular demand, we have applied innovative technology to expand the Digital Dosing™ pump range, allowing it to handle liquids in much larger quantities. With just two models the new DME range can cover the range from 75 ml/h to 150 l/h. Perfect for large water and wastewater treatment plants, textile industries, pulp and paper industries, and many other demanding applications, the new, large DME pumps bring the benefits of Digital Dosing™ to a new circle of users worldwide.

### Familiar Digital Dosing™ benefits

The 60 – 150 l/h pump range has all the benefits of the highly acclaimed smaller Digital Dosing™ range, making exact dosing easier than ever.

### Easy-to-use digital user interface

The simple display allows everyone to be their own dosing specialist. With just a few buttons, you can navigate the straightforward menus to use the impressive range of standard control features – including pulse, analog, timer, batch, and anti-cavitation control – as well as simple calibration and much more.

### Turndown ratio 1:800

With a turndown ratio ten times better than that of traditional equipment, the large Digital Dosing™ pumps give you greater flexibility and accuracy than ever. Only two pump sizes cover the range from 75 ml/h – 150 l/h.

### Full stroke length at all times

Grundfos Alldos is the only pump manufacturer to use a full stroke length every time. The strokes are carefully timed, ensuring even concentration in the system and optimal priming throughout the entire operating range.

### Brushless DC motor ensures full control

The ingenious design of the large Digital Dosing™ pumps eliminates the need for a servo motor/frequency converter and ensures smooth and gentle dosing.

### Anti-cavitation

Turndown of the suction stroke to 75%, 50% or 25% of the maximum speed ensuring optimal priming and displacement of even the most difficult liquids.

### Fieldbus communication available

Available with Profibus interface to supply performance data and status information for quality control, preventive maintenance and future reference.

### Overload protection

Built-in overload protection monitors pump counter pressure and protects against exceptionally high pressure loads.

### Switch-mode power supply

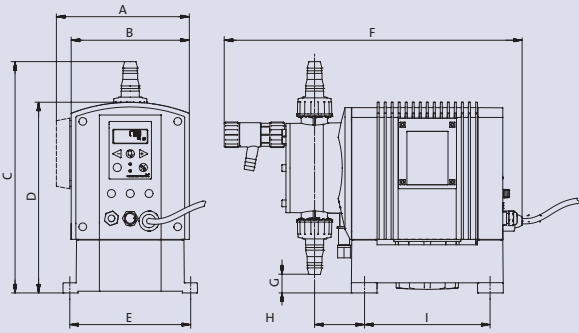
The switch-mode power supply ensures that the Digital Dosing™ pumps can be used worldwide within the 100–240VAC – 50/60Hz range.

### Several material variants

The DME pump heads are available in stainless steel, PVDF, and environmentally friendly, cost-efficient polypropylene.

## Dimensions (mm)

	DME 60-10	DME 150-4
A	198	198
B	176	176
C	331	345
D	284	284
E	180	180
F	444	444
G	41	28
H	74	74
I	187	187

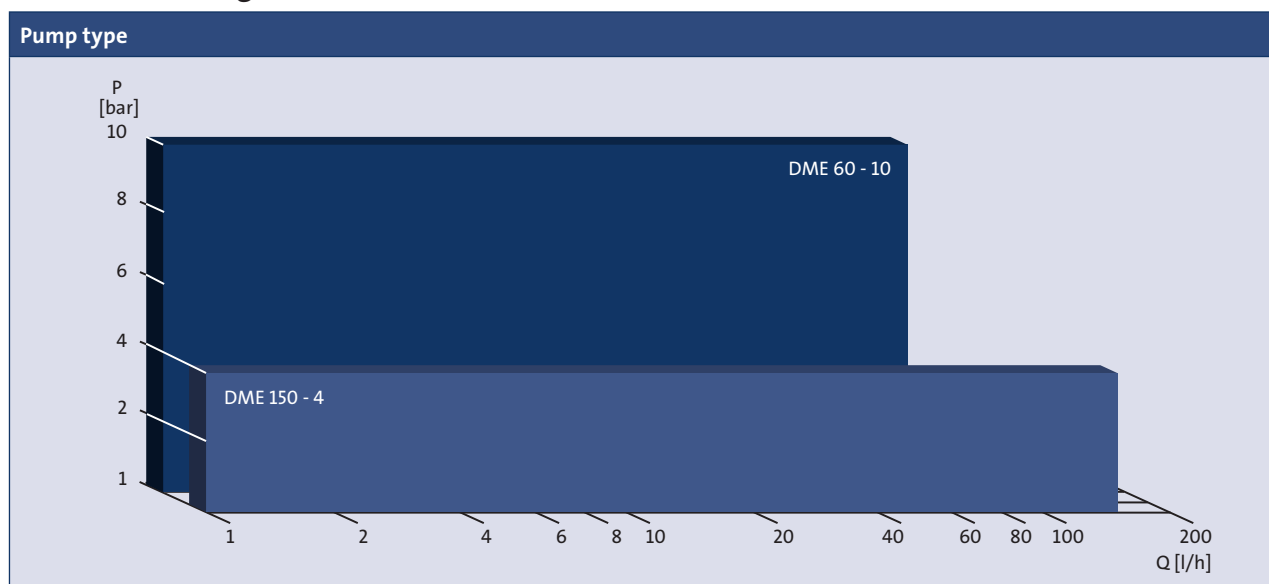


## Product range and performance data

Pump type		DME 60-10	DME 150-4
Max. capacity at max. pressure	[l/h]	60	150
Min. capacity	[l/h]	0.075	0.188
Max. pressure	[bar]	10	4
Setting range		1:800	
Stroke frequency	[min <sup>-1</sup> ]	160	
Power supply	[V], [Hz]	1×100-240V, 50-60 Hz	
Accuracy	[%]	±1% repeatability	
Pumphead material		PP, PVDF, stainless steel	
Suction lift	[m]	4	
Viscosity*	[mPa]	3000 at 50% capacity	

\* Spring-loaded valves

## Performance range



**motralec**

4 rue Lavoisier . ZA Lavoisier . 95223 HERBLAY CEDEX  
 Tel. : 01.39.97.65.10 / Fax. : 01.39.97.68.48  
 Demande de prix / e-mail : service-commercial@motralec.com  
[www.motralec.com](http://www.motralec.com)

**GRUNDFOS**   
**ALLDOS**