

Submersible Drainage Pump Type ABS J 205

Specification

Electric submersible pump.
 Maximum submergence: 20 m. • Protection class IP 68.
 Max temperature of pumped medium at max power input and continuous duty 40°C.
 Max medium density 1100 kg/m³. • pH of the pumped medium 5-8.
 Strainer hole 8 x 34 mm. • Max number of starts 30/hour.

EN 50 Hz

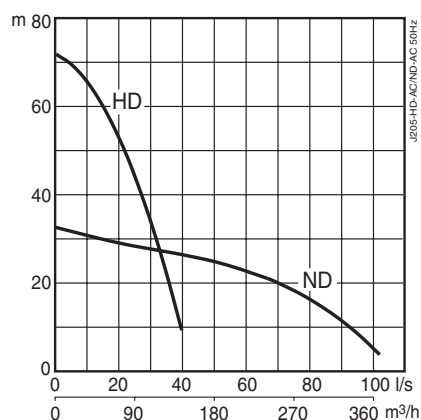
J 205 ND Medium head, 3-phase.

J 205 HD High head, 3-phase.

Electric Motor

3-phase squirrel-cage induction motor, 50 Hz.
 Service factor 1.1. Class F insulation.
 Motor rating P₂: 21.0 kW. Speed: 2910 rpm

Voltage, V	230	400	500 - 550	690	1000
Nominal current, A	68	39	31,2	23	16



Starting Method

D.O.L. start with built-in contactor (1000 V with terminal block).
 D.O.L. start with built-in SoftDrive (400-460 V).
 Star-Delta start with built-in terminal block.
 When used with VFD, pump must be equipped with terminal block instead of contactor.

Power Cable

20 m type S1BN8-F (standard cable):
 4 x 4 sq.mm. (690 V DOL-start)
 4 x 10 sq.mm. (400-550 V DOL-start)
 4 x 16 sq.mm. (230 V DOL-start)
 10 x 2.5 sq.mm. (690 V star-delta start)
 2-4 x 6 sq.mm. + 4 x 1.5 sq.mm. (400-550 V star-delta start)
 2-4 x 10 sq.mm. + 4 x 1.5 sq.mm. (230 V star-delta start)

20 m type NSSHÖU.../3E (heavy duty cable):
 3x6+3x6/3E+3x1.5 (3 control cables incl.) (690-1000 V DOL-start)
 3x10+3x10/3E+3x2.5 (3 control cables incl.) (400-550 V DOL-start)

Motor Protection

Built-in thermal switches in the stator windings (140°C, ±5), connected to built-in contactor, SoftDrive or to separate control box.
 DI leakage sensor as option, but not in combination with built-in contactor or SoftDrive.

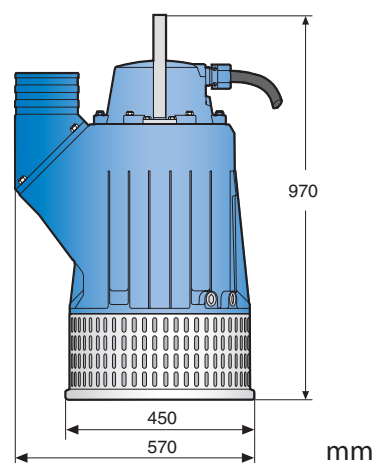
Shaft Seal

Double mechanical seal in oil bath, mounted in seal cartridge for easy service.
 Primary seal: Silicon carbide on silicon carbide.
 Secondary seal: Silicon carbide on antimony treated carbon.

Bearings

Upper bearing: Single-row deep groove ball bearing.
 Lower bearing: Double angular contact ball bearing.

Materials		EN	ASTM
Casing and castings	Aluminium	EN 1706: AC-43100	ASTM AlSi10mg
Strainer / Handle / Fasteners	Stainless steel	10088:X5CrNi18-10 (1.4301)	AISI 304
Shaft	Stainless steel	10088:X20Cr13 (1.4021)	AISI 420
Impeller	White cast iron	EN-GJN-HV600(XCr23)	ASTM A 532: Alloy III A
Wear parts / O-rings	Nitrile rubber		



Discharge Connections

4" (standard HD), 6" (standard ND), 8" hose connections.
 4", 6", 8" B.S.P. threaded connections.

Weight (without cable)

155 kg

Options and Accessories

Zinc anodes • Surface protection coating
 Wear plate in polyurethane • Electronic motor supervision
 Series connection • Starter and control units
 Automatic level control unit • Floatation system • Repair kit
 Discharge connection accessories and hose