



CPE / CP-GE / DCPE

IN-LINE CONSTANT PRESSURE PUMPS



HEATING, AIR CONDITIONING SYSTEMS, SOLAR PANEL AND HOT WATER SYSTEMS



Circulation pumps with in-line ports, suitable for installation in heating and air conditioning, refrigeration, and domestic hot water systems. Extremely versatile thanks to the use of the **MCE/C** inverter, they offer performance capable of adapting automatically to the system's various demands while keeping pressure differentials unchanged. Available in single and twin version. PN 16 flanged inlet and delivery mouths, fitted with threaded holes for pressure gauges. Pump body and support in cast iron, impeller in cast iron or technopolymer depending on model (in bronze, on request, only from DN 65 to DN 150). Stainless steel drive shaft. Sealing device: standardised mechanical seal made to DIN 24960 in carbon / carborundum with O' rings in EPDM. 2 pole three-phase induction motor with external cooling. Rotor running on ball bearings, oversized to ensure low noise and durability. Constructed following the CEI 2-3 standards

Operating range: from 1.2 to 230 m³/h with head up to 56 meters.

Liquid temperature range:

- 15 °C ÷ +120 °C for DN 40 - 50 and all DCPE

- 10 °C ÷ +140 °C for DN 65 - 150

Liquid quality requirements: clean, free from solids or abrasive substances, non viscous, non aggressive, non crystallised and chemically neutral and close to the characteristics of water.

Installation: Fixed, horizontal or vertical provided the motor is always above the pump.

Maximum ambient temperature: +40°C

Maximum working pressure: 16 bar

Protection rating: IP 55

Insulation Class: F

Flanging : PN 16

Counter-flanges on request: DN 40 - DN 50 - DN 65

- DN 80 - DN 100 - DN 125 - DN 150; PN 16.

TECHNICAL DATA - CPE / CP-GE SINGLE FLANGED

2800 rpm 1/min - 2 poles

MODEL	CODE	ELECTRICAL DATA					DNA	DNM
		VOLTAGE 50 Hz	P1 MAX W	P2 NOMINAL		In A		
				kW	HP			
CPE 40/2300 M MCE11/C* ¹	60142730	1x220-240 V ~	1,63	1,10	1,50	12,3	40	40
CPE 40/3500 M MCE22/C* ¹	60142510	1x220-240 V ~	2,32	2,20	3,00	16,8	40	40
CPE 40/4700 T MCE55/C*	60142731	3x400 V ~	5,11	4,00	5,50	9,6	40	40
CPE 40/5500 T MCE55/C*	60142791	3x400 V ~	6,90	5,50	7,50	13,2	40	40
CPE 40/6200 T MCE110/C*	60142792	3x400 V ~	9,64	7,50	10,00	18,8	40	40
CPE 50/2600 M MCE15/C* ¹	60142793	1x220-240 V ~	1,98	1,50	2,00	14,6	50	50
CPE 50/4100 T MCE55/C*	60142794	3x400 V ~	3,99	4,00	5,50	7,3	50	50
CPE 50/4600 T MCE55/C*	60142511	3x400 V ~	6,90	5,50	7,50	13,2	50	50
CPE 50/5650 T MCE110/C*	60142795	3x400 V ~	9,64	7,50	10,00	18,8	50	50
CP-GE 65-1470/A/BAQE/1.5 M MCE15/C* ¹	60142226	1x220-240 V ~	2,10	1,5	2	15,4	65	65
CP-GE 65-2280/A/BAQE/3 T MCE30/C*	60142309	3x400 V ~	3,89	3	4	7,1	65	65
CP-GE 65-2640/A/BAQE/4 T MCE55/C*	60142732	3x400 V ~	5,15	4	5,5	9,7	65	65
CP-GE 65-3400/A/BAQE/5.5 T MCE55/C*	60142743	3x400 V ~	6,72	5,5	7,7	12,9	65	65
CP-GE 65-4100/A/BAQE/7.5 T MCE110/C*	60141858	3x400 V ~	9,14	7,5	10	17,8	65	65
CP-GE 65-4700/A/BAQE/11 T MCE110/C*	60142796	3x400 V ~	14,84	11	15	29,4	65	65
CP-GE 65-5500/A/BAQE/15 T MCE150/C*	60142797	3x400 V ~	19,27	15	20	38,3	65	65
CP-GE 80-1400/A/BAQE/2.2 M MCE22/C* ¹	60142200	1x220-240 V ~	2,63	2,2	3	18,7	80	80

* NEW IE2 MOTOR

¹Three-phase versions available on request

CPE / CP-GE / DCPE

IN-LINE CONSTANT PRESSURE PUMPS

TECHNICAL DATA - CPE / CP-GE *SINGLE FLANGED*

2800 rpm 1/min - 2 poles

MODEL	CODE	ELECTRICAL DATA					DNA	DNM
		VOLTAGE 50 Hz	P1 MAX W	P2 NOMINAL		In A		
				kW	HP			
CP-GE 80-2050/A/BAQE/4 T MCE55/C*	60142206	3x400V ~	5,57	4	5,5	10,5	80	80
CP-GE 80-2400/A/BAQE/5.5 T MCE55/C*	60142799	3x400V ~	6,72	5,5	7,5	12,9	80	80
CP-GE 80-2770/A/BAQE/7.5 T MCE110/C*	60142294	3x400V ~	9,14	7,5	10	17,8	80	80
CP-GE 80-3250/A/BAQE/11 T MCE110/C*	60142800	3x400V ~	13,18	11	15	26,0	80	80
CP-GE 80-4000/A/BAQE/15 T MCE150/C*	60142801	3x400V ~	17,33	15	20	34,4	80	80
CP-GE 100-1600/A/BAQE/4 T MCE55/C*	60142207	3x400V ~	5,15	4	5,5	9,7	100	100
CP-GE 100-1950/A/BAQE/5.5 T MCE55/C*	60142803	3x400V ~	6,72	5,5	7,5	12,9	100	100
CP-GE 100-2350/A/BAQE/7.5 T MCE110/C*	60142804	3x400V ~	9,14	7,5	10	17,8	100	100
CP-GE 100-2400/A/BAQE/11 T MCE110/C*	60142805	3x400V ~	14,15	11	15	28,0	100	100
CP-GE 100-3050/A/BAQE/15 T MCE110/C*	60142806	3x400V ~	17,97	15	20	35,7	100	100

* NEW IE2 MOTOR

TECHNICAL DATA - DCPE *TWIN FLANGED*

2800 rpm 1/min - 2 poles

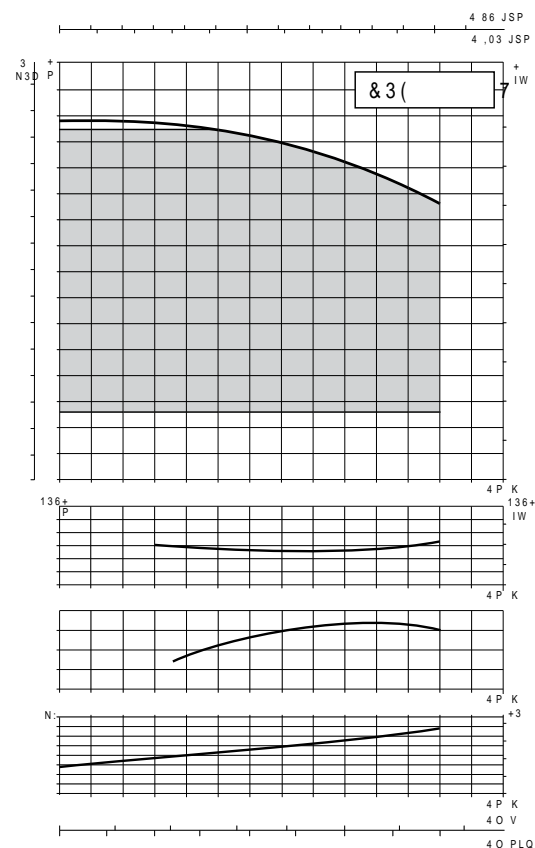
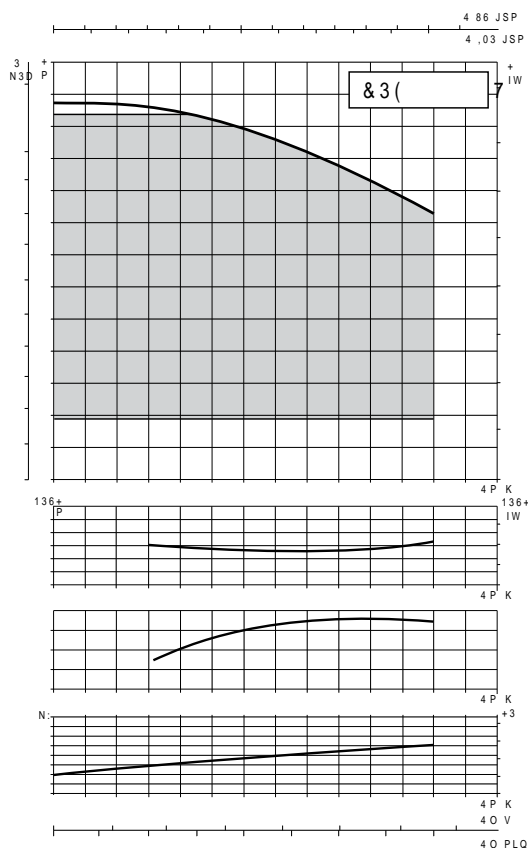
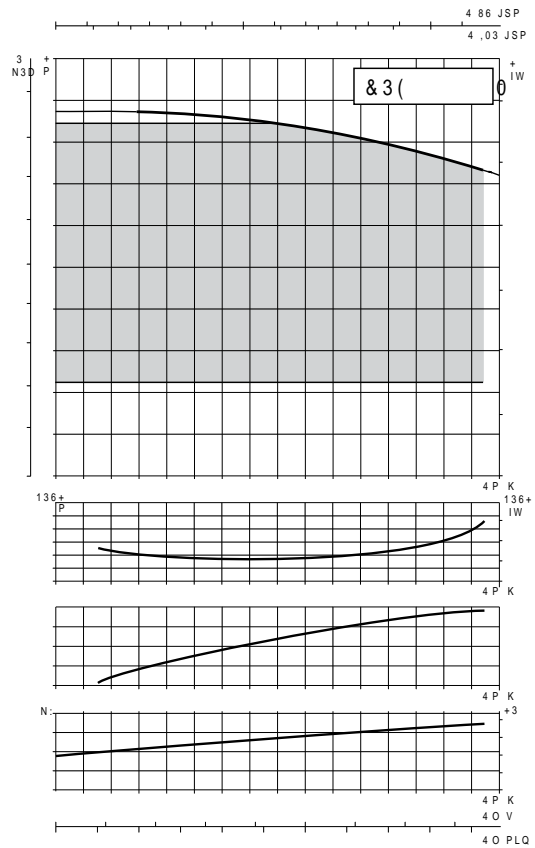
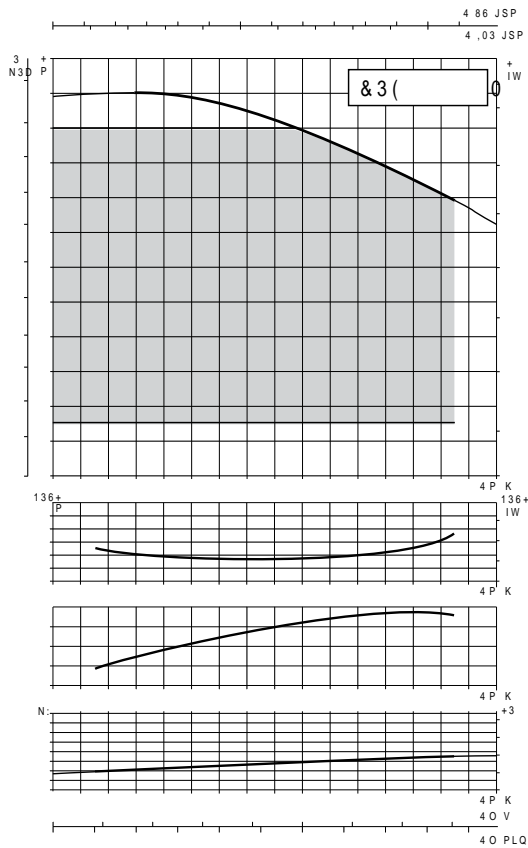
MODEL	CODE	ELECTRICAL DATA					DNA	DNM
		VOLTAGE 50 Hz	P1 MAX W	P2 NOMINAL		In A		
				kW	HP			
DCPE 40/1650 M MCE11/C*	60142842	1x220-240V ~	1,10	0,75	1	9,0	40	40
DCPE 40/2450 M MCE15/C* ¹	60142279	1x220-240V ~	2,17	1,50	2,00	15,8	40	40
DCPE 50/1550 M MCE15/C* ¹	60142843	1x220-240V ~	2,17	1,50	2,00	15,8	50	50
DCPE 50/2450 T MCE30/C*	60142844	3x400V ~	3,72	3,00	4,00	6,8	50	50
DCPE 50/3650 T MCE55/C*	60142845	3x400V ~	5,11	4,00	5,50	9,6	50	50
DCPE 65/2300 T MCE30/C*	60142846	3x400V ~	3,72	3,00	4,00	6,8	65	65
DCPE 65/2650 T MCE55/C*	60142847	3x400V ~	5,11	4,00	5,50	9,6	65	65
DCPE 65/3250 T MCE55/C*	60142848	3x400V ~	6,90	5,50	7,50	13,2	65	65
DCPE 65/3700 T MCE110/C*	60142849	3x400V ~	9,64	7,5	10,0	18,8	65	65
DCPE 80/2530 T MCE110/C*	60142850	3x400V ~	9,64	7,5	10,0	18,8	80	80
DCPE 80/3050 T MCE110/C*	60142851	3x400V ~	13,08	10	13,5	25,8	80	80
DCPE 80/3650 T MCE150/C*	60142852	3x400V ~	15,89	12,5	17,0	31,5	80	80
DCPE 80/4100 T MCE150/C*	60142853	3x400V ~	18,84	15	20,0	37,5	80	80
DCPE 100/2450 T MCE110/C*	60142854	3x400V ~	13,08	10	13,5	25,8	100	100
DCPE 100/2750 T MCE150/C*	60142855	3x400V ~	15,89	12	16,2	31,5	100	100
DCPE 100/2900 T MCE150/C*	60142856	3x400V ~	18,84	15	20,0	37,5	100	100
DCPE 100/3300 T MCE150/C*	60142857	3x400V ~	15,89	12,5	17,0	31,5	100	100
DCPE 100/3750 T MCE150/C*	60142858	3x400V ~	18,84	15	20,0	37,5	100	100

* NEW IE2 MOTOR

¹Three-phase versions available on request

CPE / CP-GE / DCPE

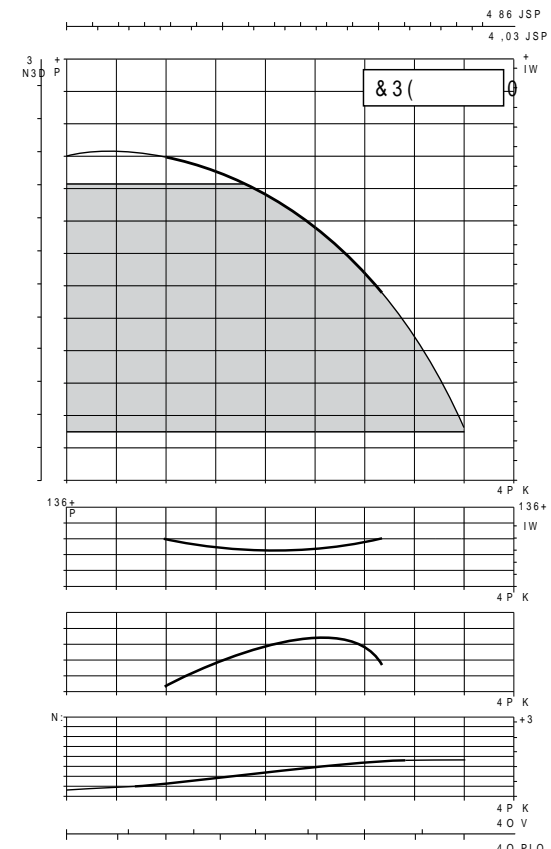
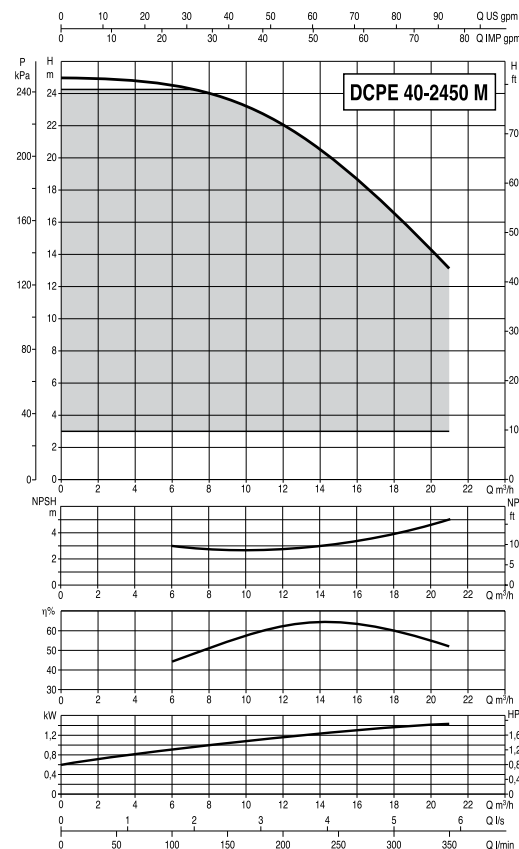
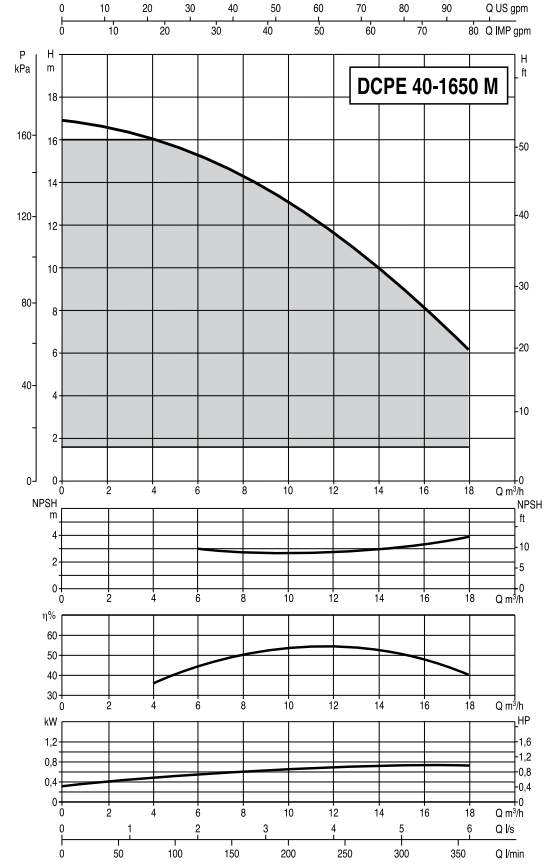
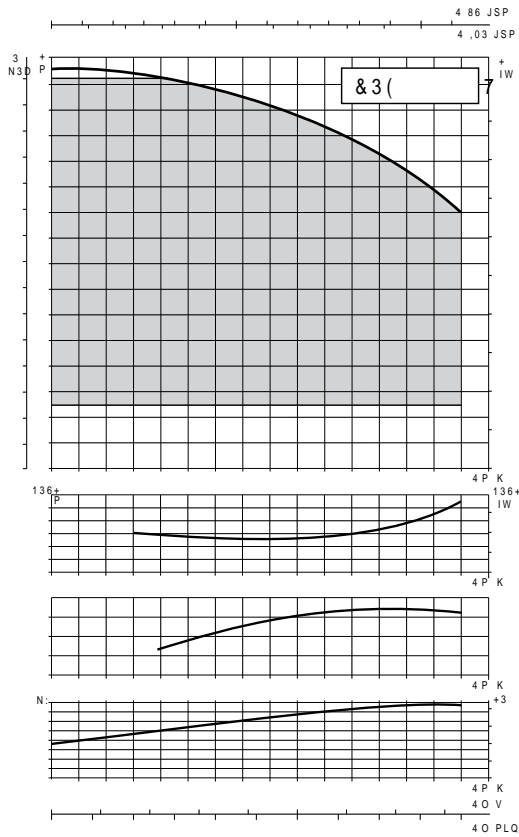
IN-LINE CONSTANT PRESSURE PUMPS



The performance curves are based on kinematic viscosity values = 1 mm²/s and density equivalent to 1000 kg/m³. Tolerance of curves to ISO 9906.

CPE / CP-GE / DCPE

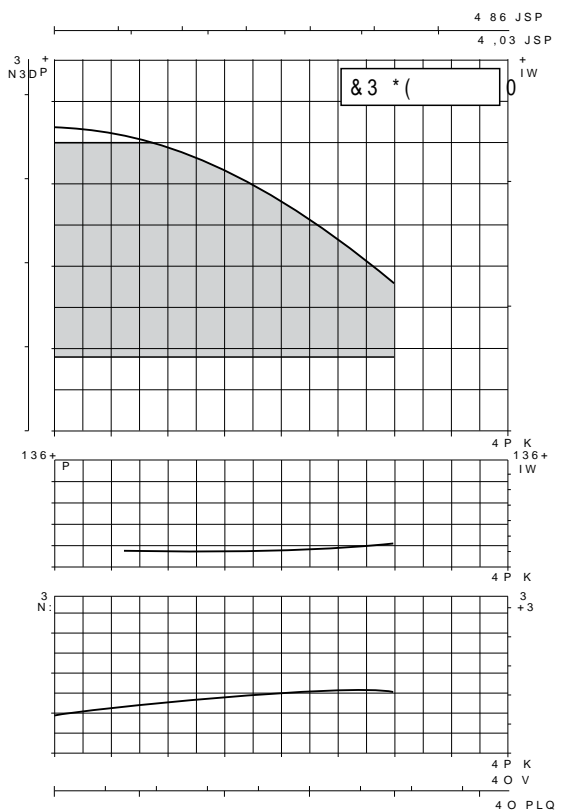
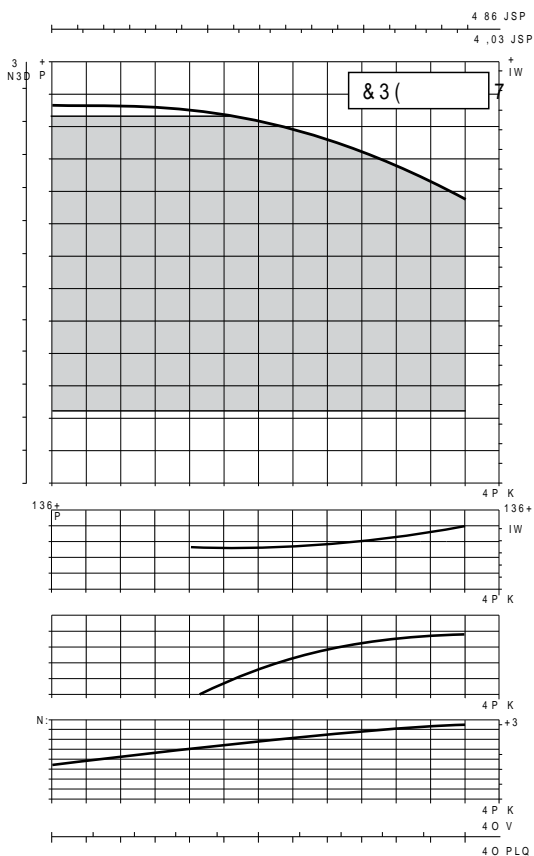
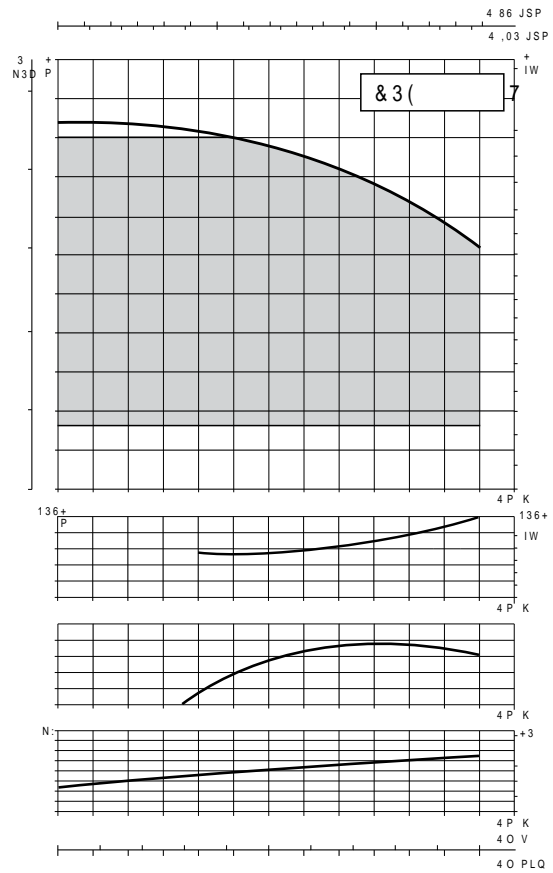
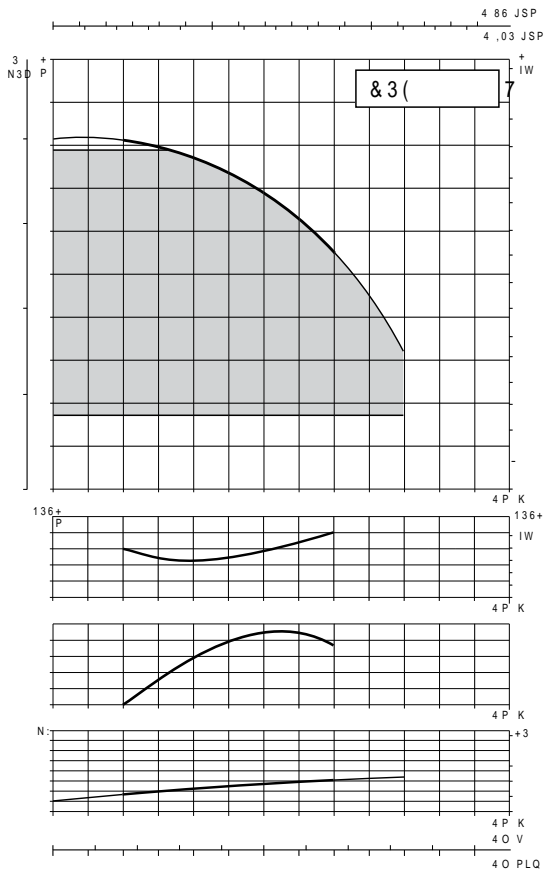
IN-LINE CONSTANT PRESSURE PUMPS



The performance curves are based on kinematic viscosity values = 1 mm²/s and density equivalent to 1000 kg/m³. Tolerance of curves to ISO 9906.

CPE / CP-GE / DCPE

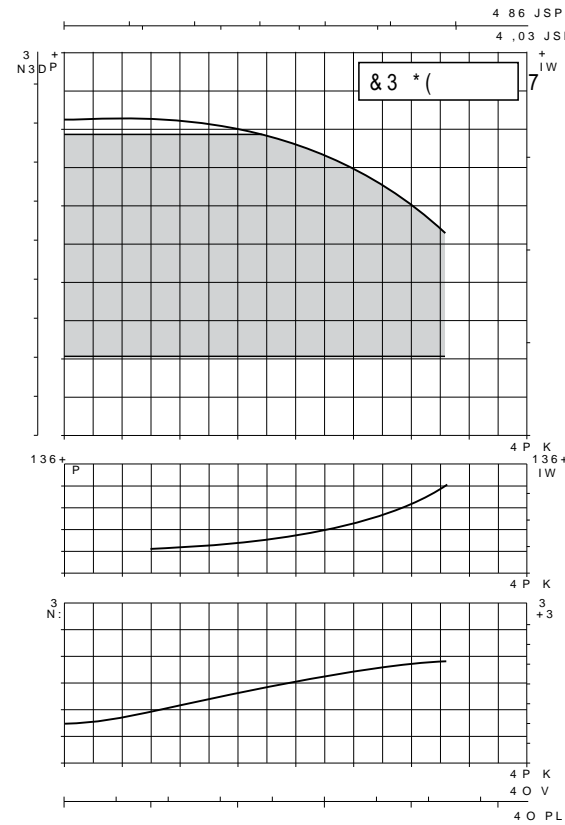
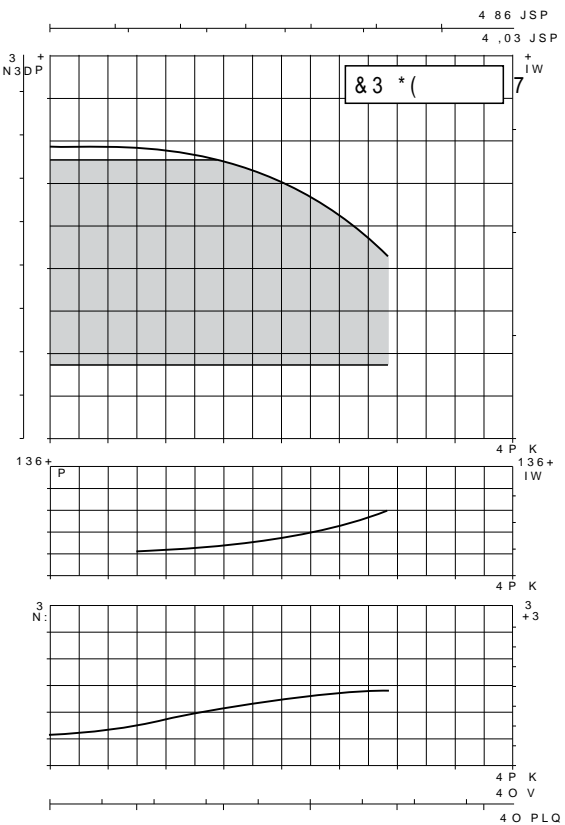
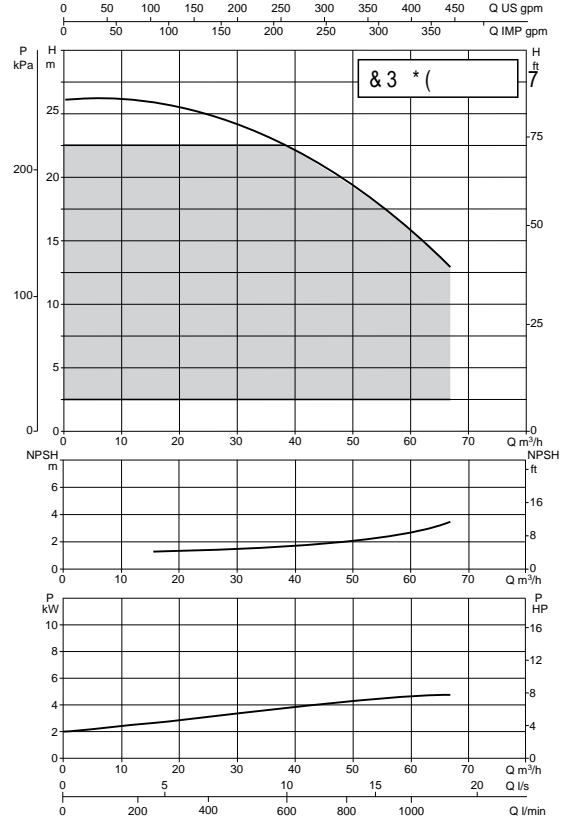
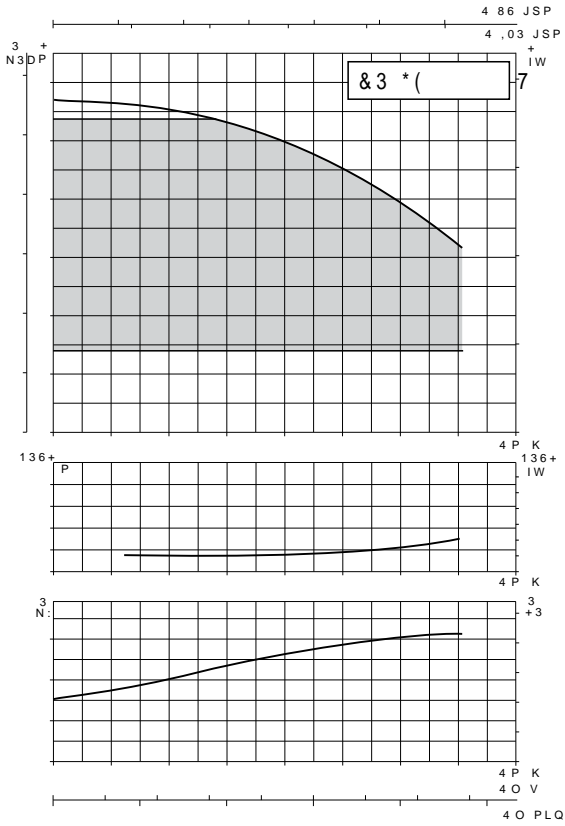
IN-LINE CONSTANT PRESSURE PUMPS



The performance curves are based on kinematic viscosity values = 1 mm²/s and density equivalent to 1000 kg/m³. Tolerance of curves to ISO 9906.

CPE / CP-GE / DCPE

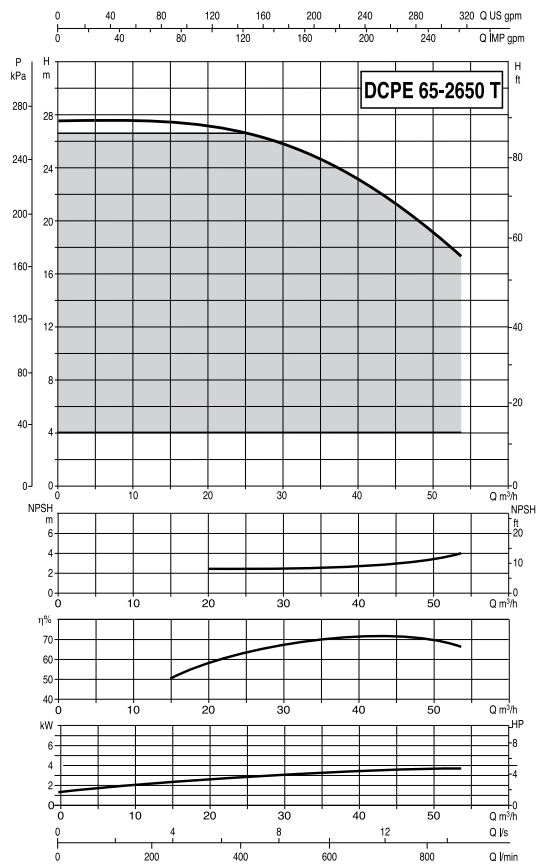
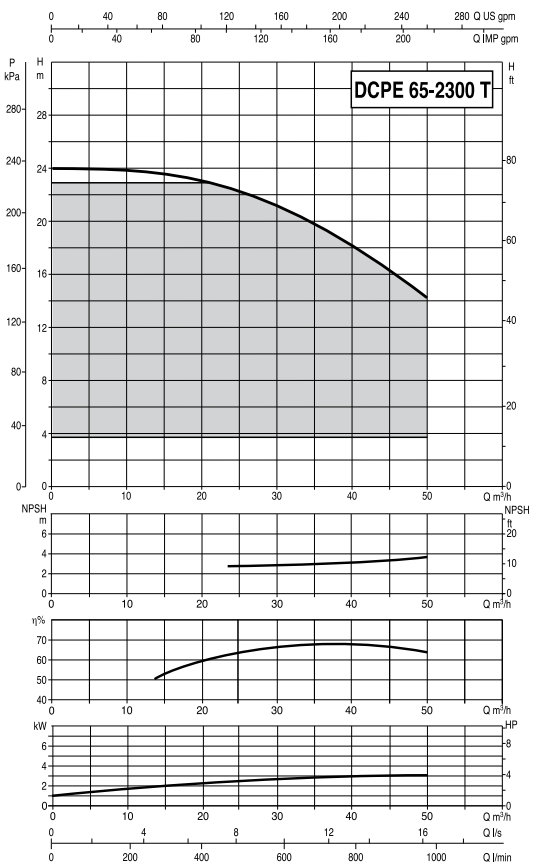
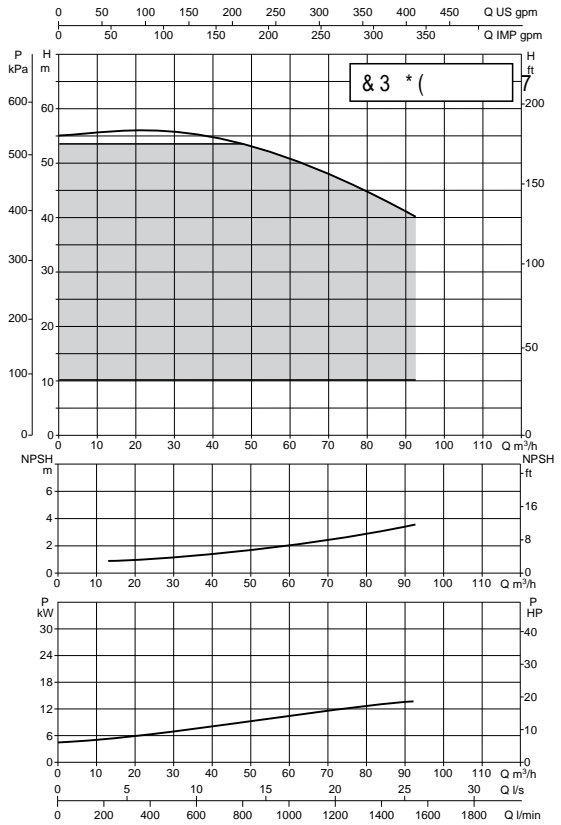
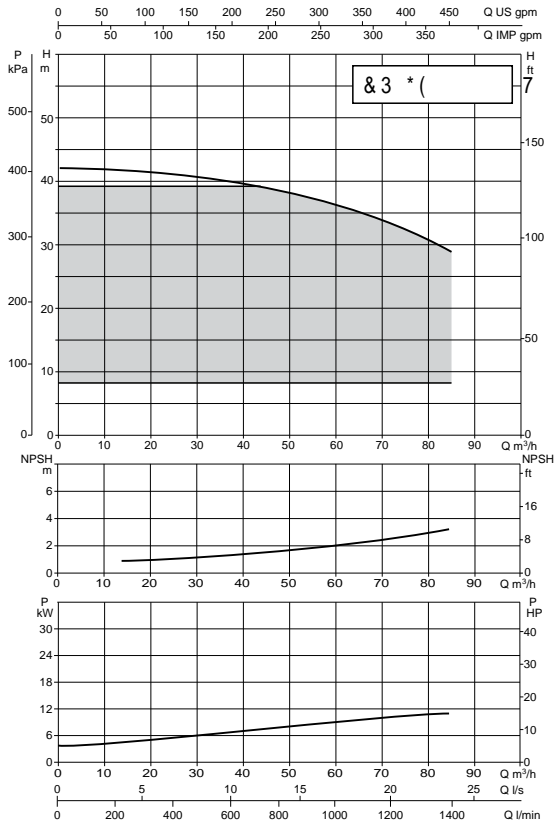
IN-LINE CONSTANT PRESSURE PUMPS



The performance curves are based on kinematic viscosity values = 1 mm²/s and density equivalent to 1000 kg/m³. Tolerance of curves to ISO 9906.

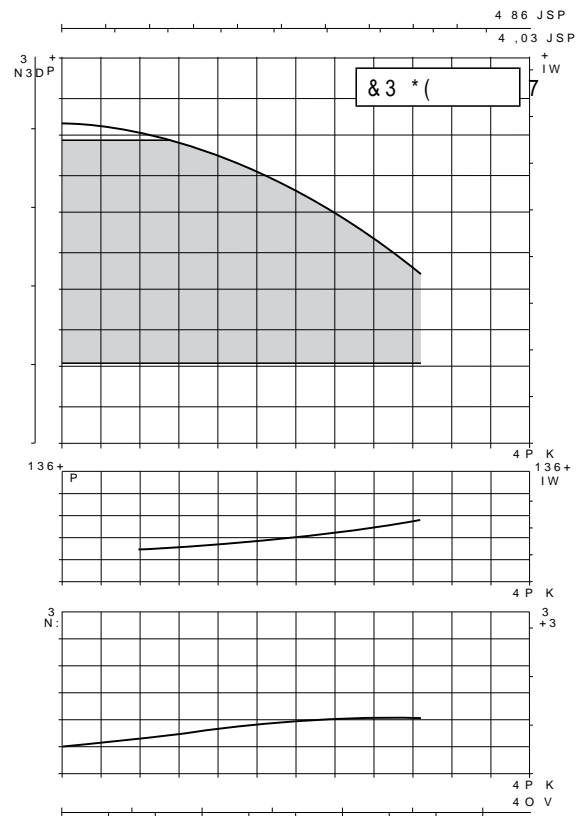
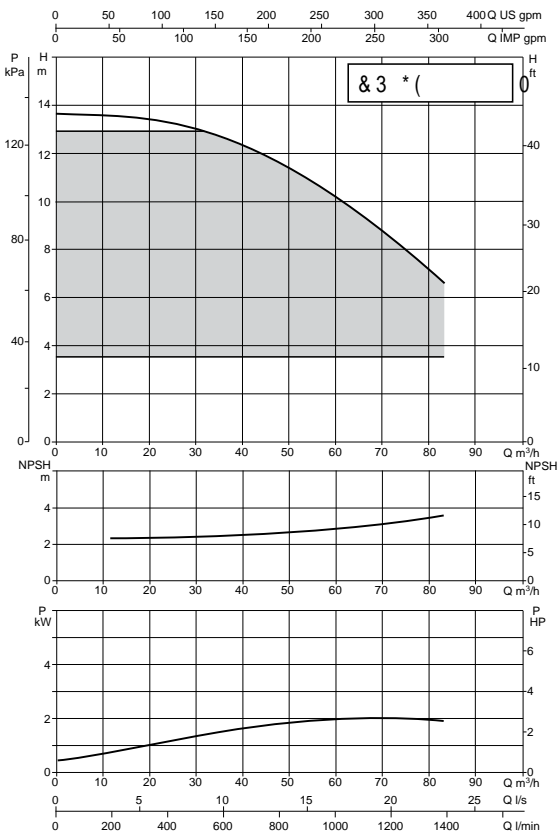
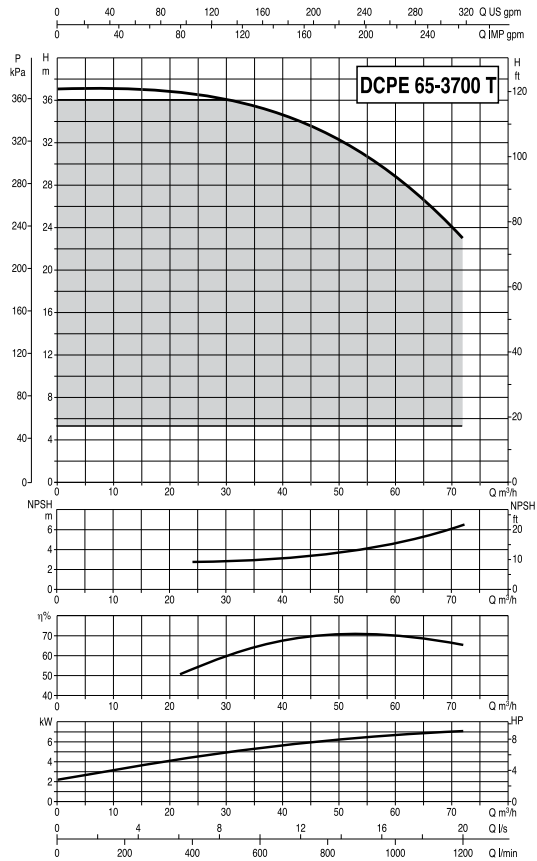
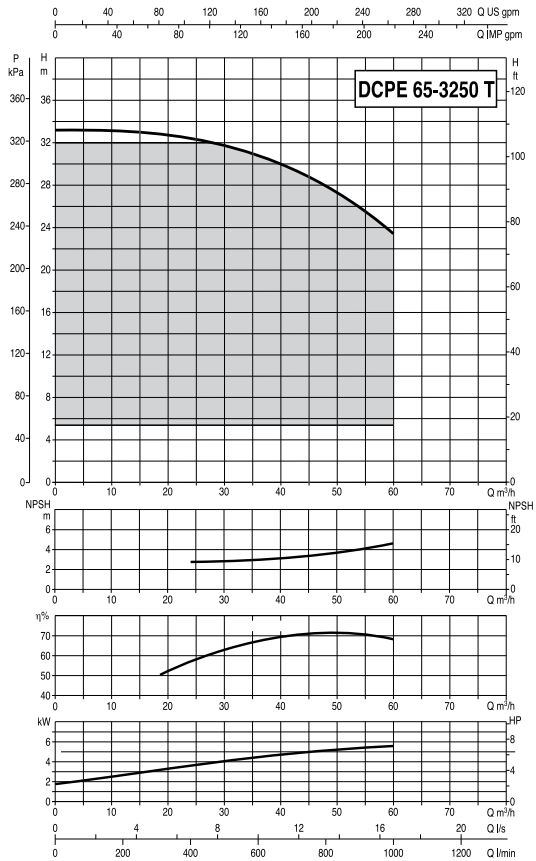
CPE / CP-GE / DCPE

IN-LINE CONSTANT PRESSURE PUMPS



The performance curves are based on kinematic viscosity values = 1 mm²/s and density equivalent to 1000 kg/m³. Tolerance of curves to ISO 9906.

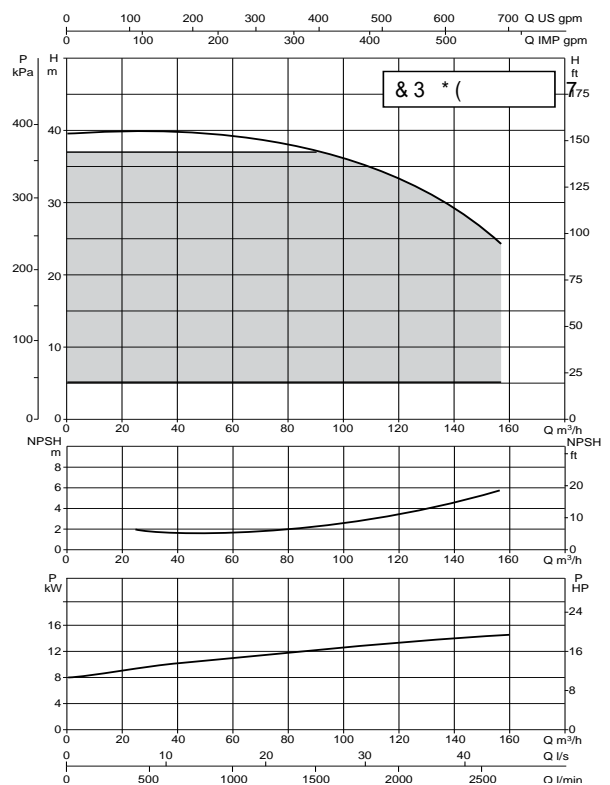
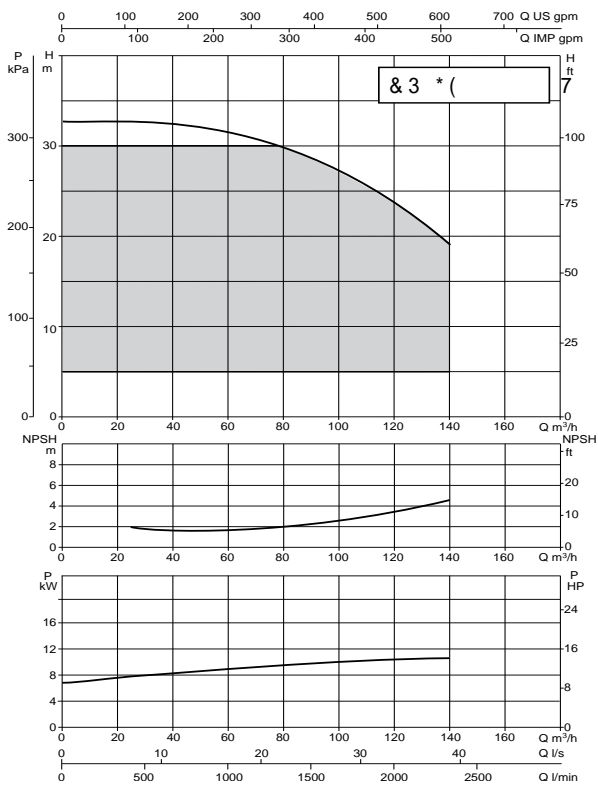
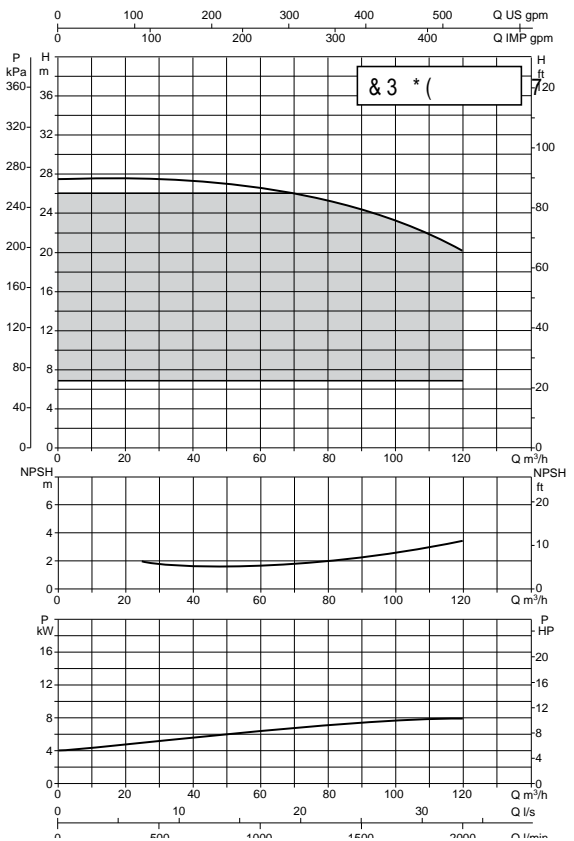
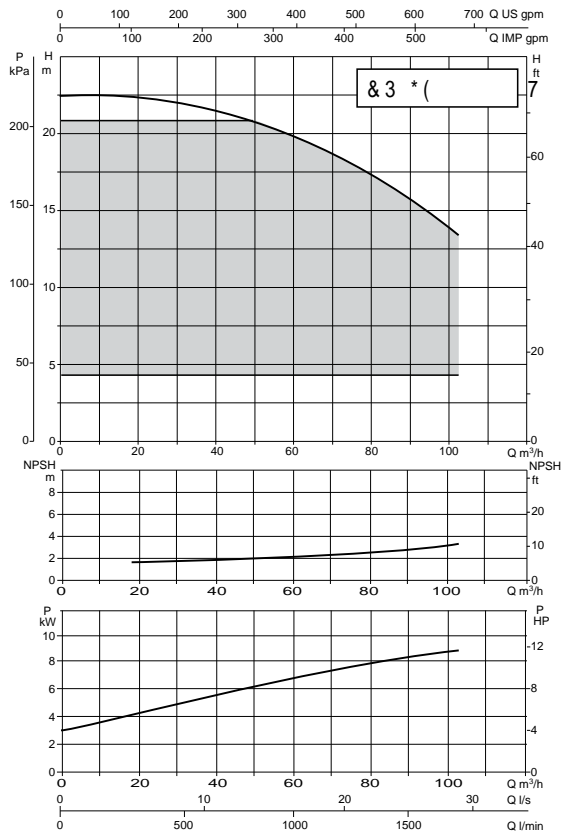
CPE / CP-GE / DCPE IN-LINE CONSTANT PRESSURE PUMPS



The performance curves are based on kinematic viscosity values = 1 mm²/s and density equivalent to 1000 kg/m³. Tolerance of curves to ISO 9906.

CPE / CP-GE / DCPE

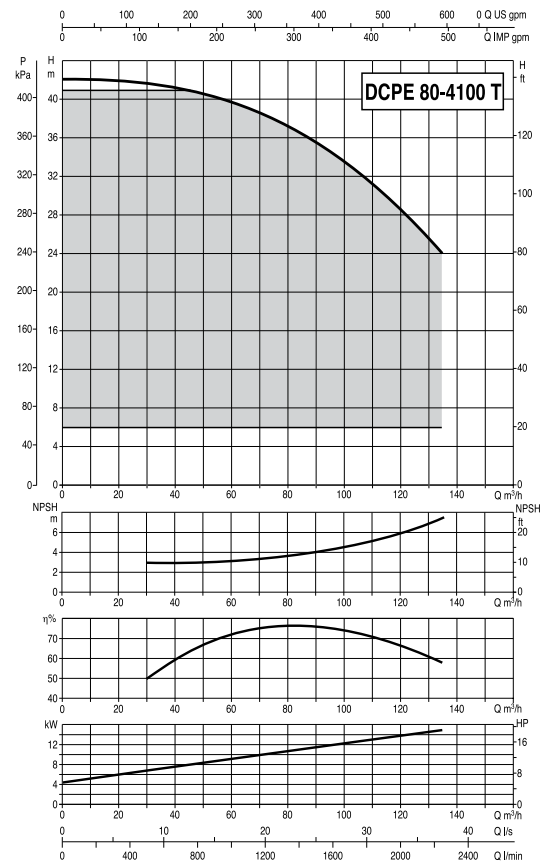
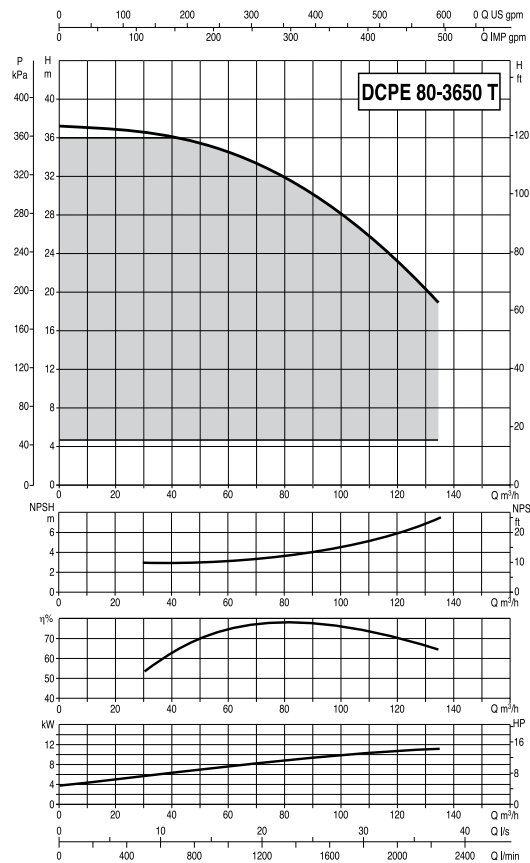
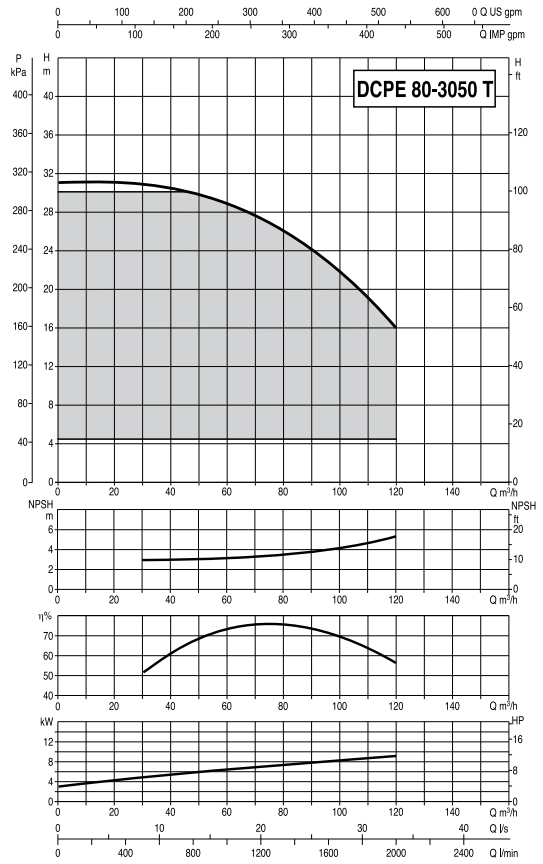
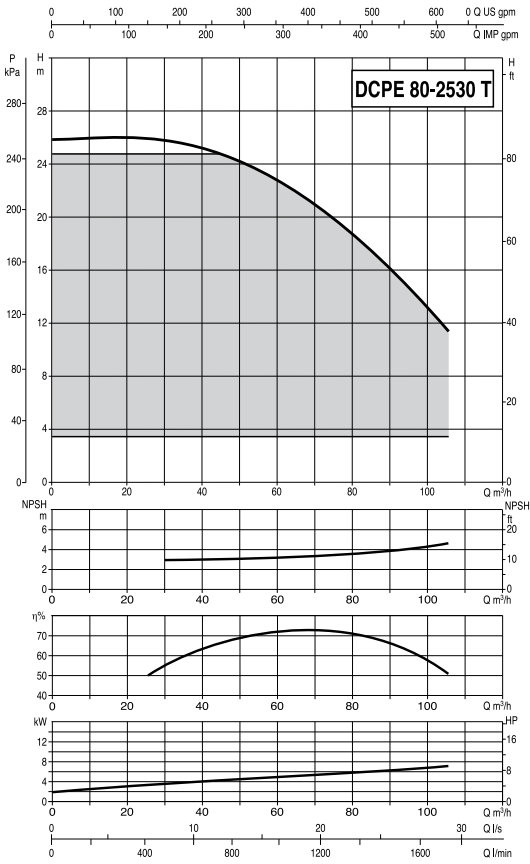
IN-LINE CONSTANT PRESSURE PUMPS



The performance curves are based on kinematic viscosity values = 1 mm²/s and density equivalent to 1000 kg/m³. Tolerance of curves to ISO 9906.

CPE / CP-GE / DCPE

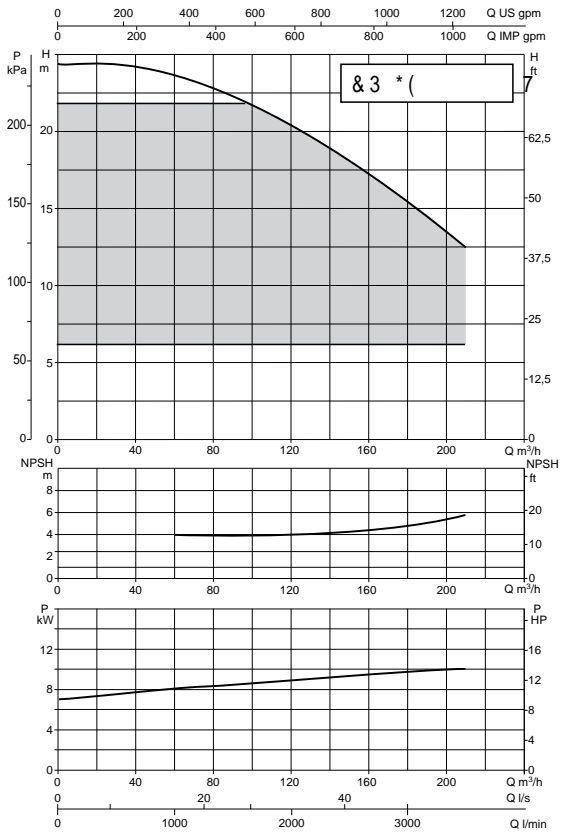
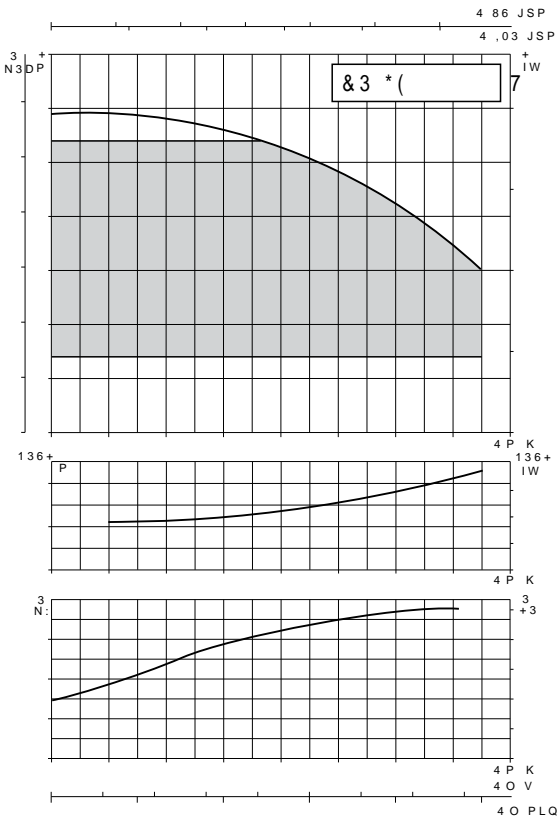
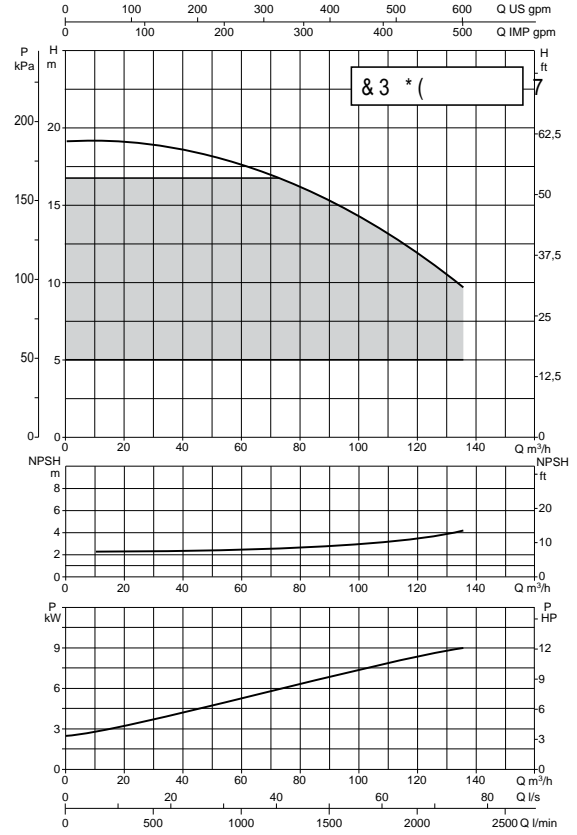
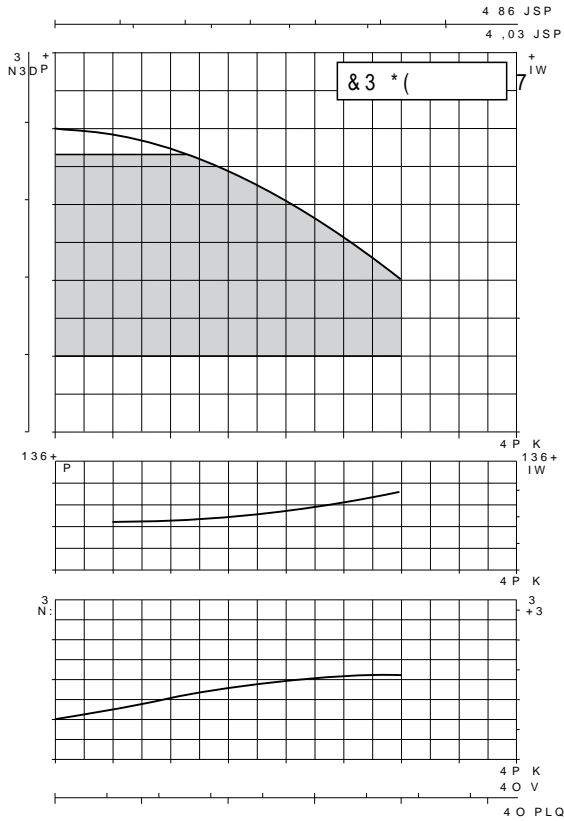
IN-LINE CONSTANT PRESSURE PUMPS



The performance curves are based on kinematic viscosity values = 1 mm²/s and density equivalent to 1000 kg/m³. Tolerance of curves to ISO 9906.

CPE / CP-GE / DCPE

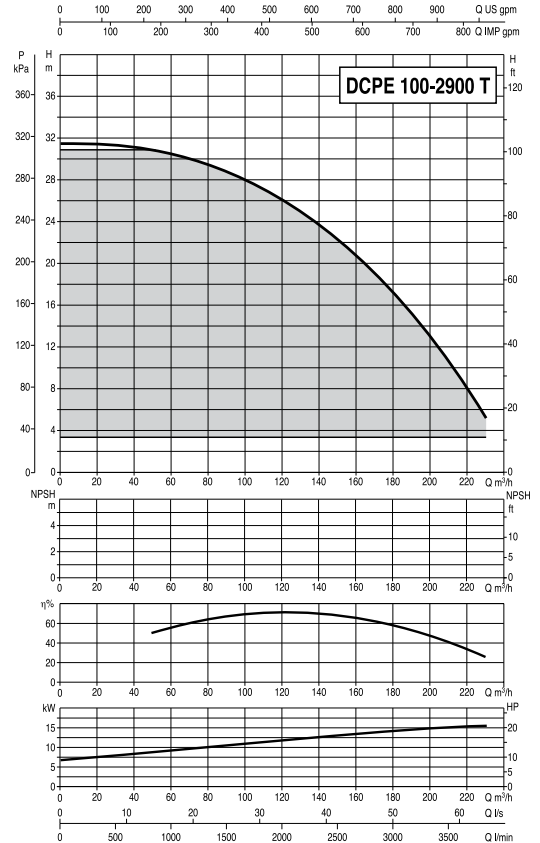
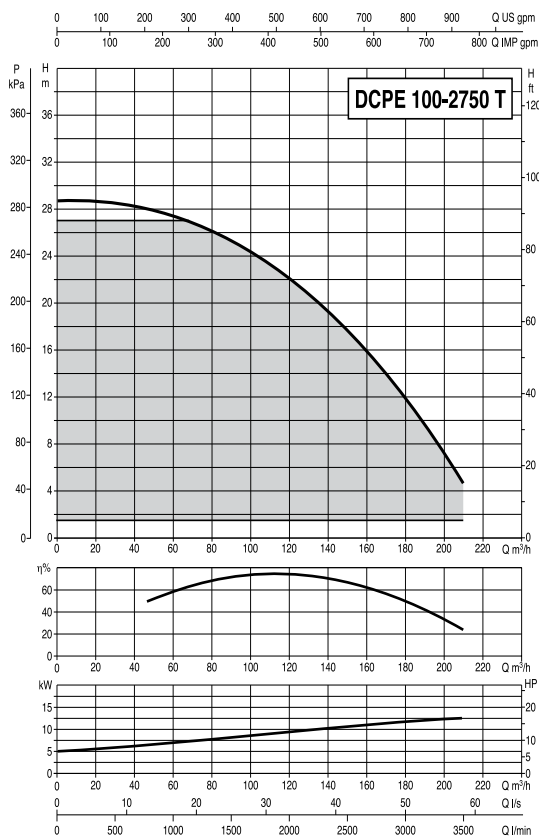
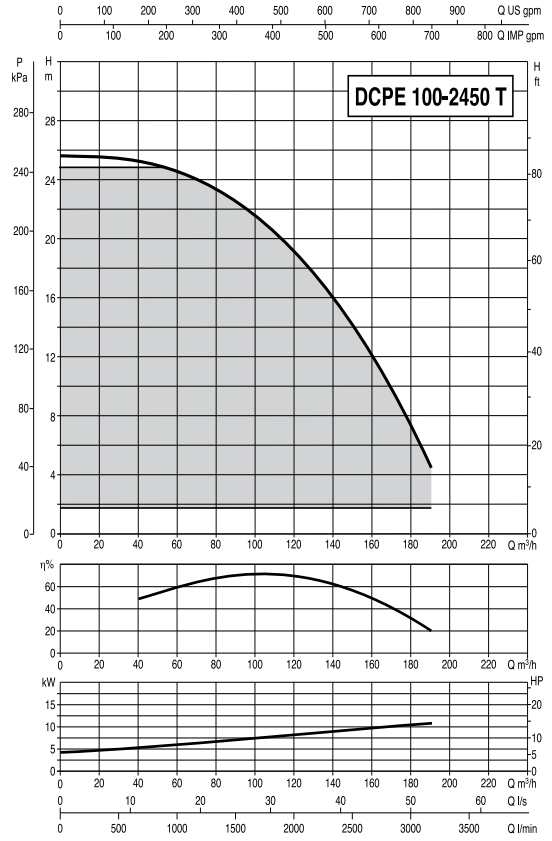
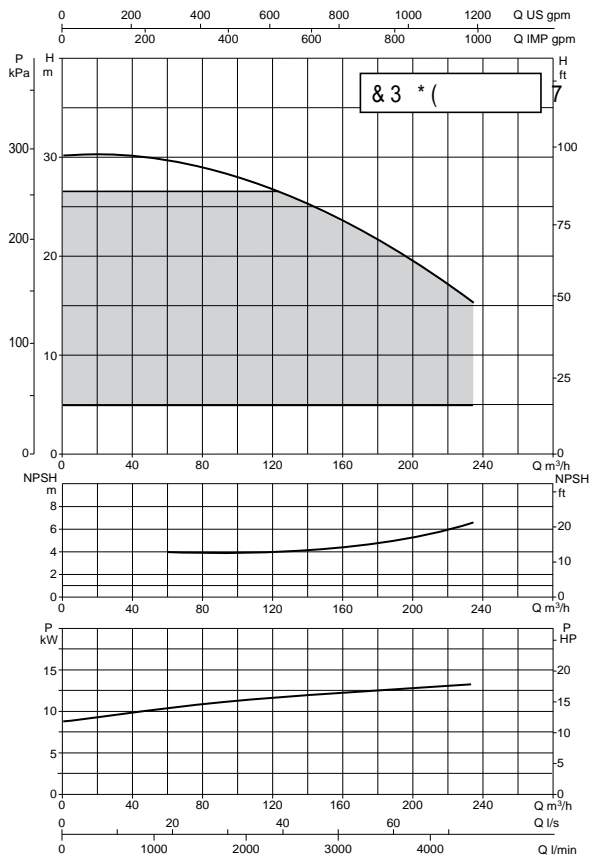
IN-LINE CONSTANT PRESSURE PUMPS



The performance curves are based on kinematic viscosity values = 1 mm²/s and density equivalent to 1000 kg/m³. Tolerance of curves to ISO 9906.

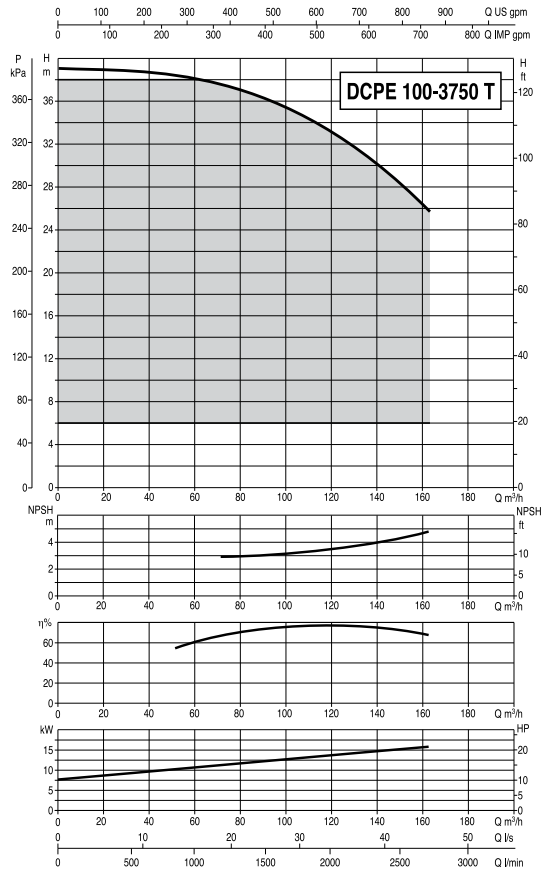
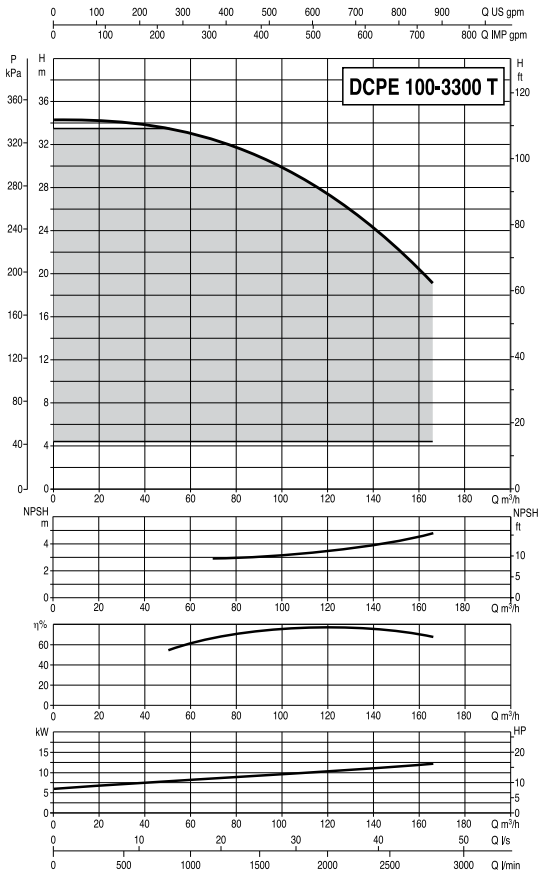
CPE / CP-GE / DCPE

IN-LINE CONSTANT PRESSURE PUMPS



The performance curves are based on kinematic viscosity values = 1 mm²/s and density equivalent to 1000 kg/m³. Tolerance of curves to ISO 9906.

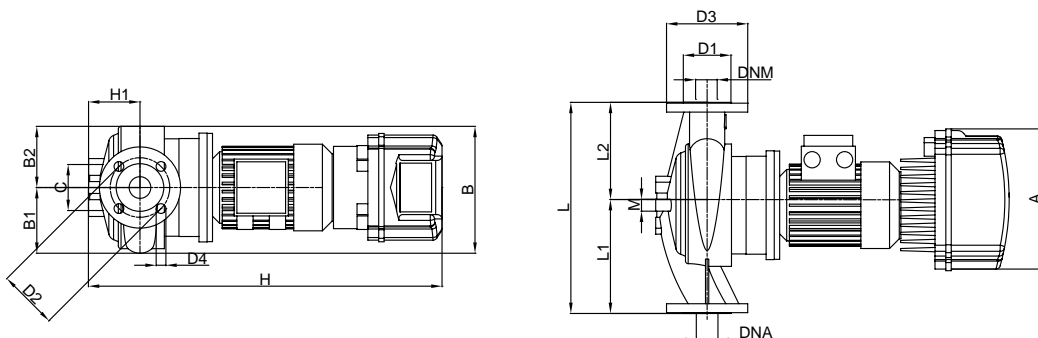
CPE / CP-GE / DCPE IN-LINE CONSTANT PRESSURE PUMPS



The performance curves are based on kinematic viscosity values = 1 mm²/s and density equivalent to 1000 kg/m³. Tolerance of curves to ISO 9906.

DIMENSIONS AND WEIGHTS

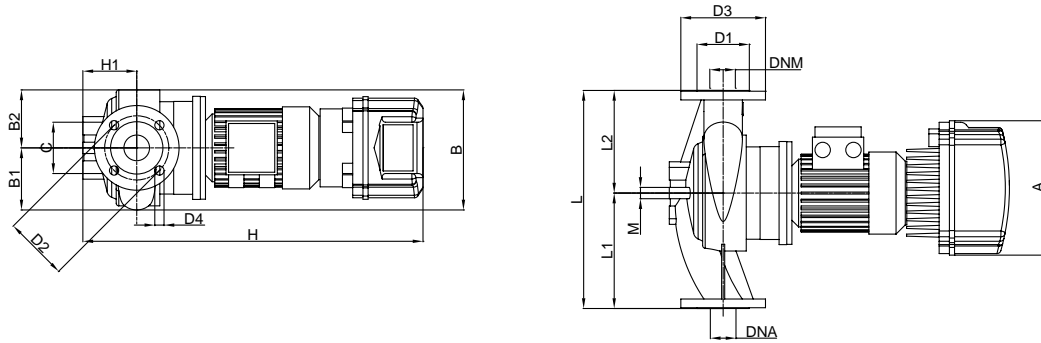
CPE 40



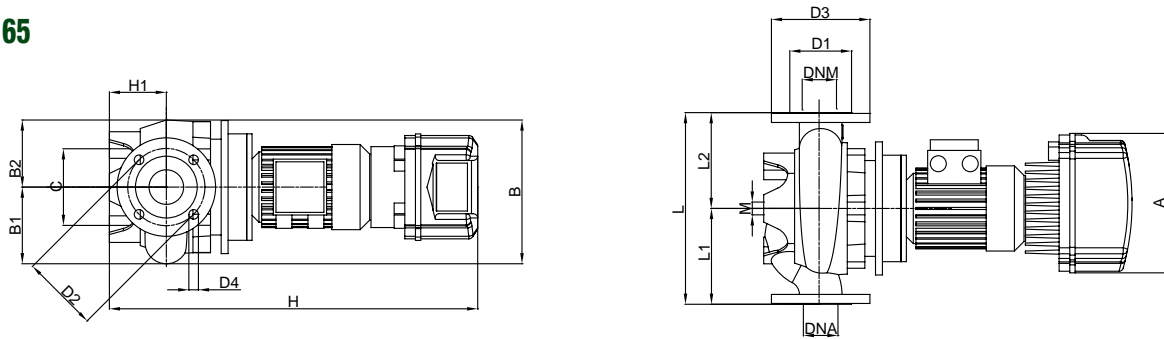
CPE / CP-GE / DCPE

IN-LINE CONSTANT PRESSURE PUMPS

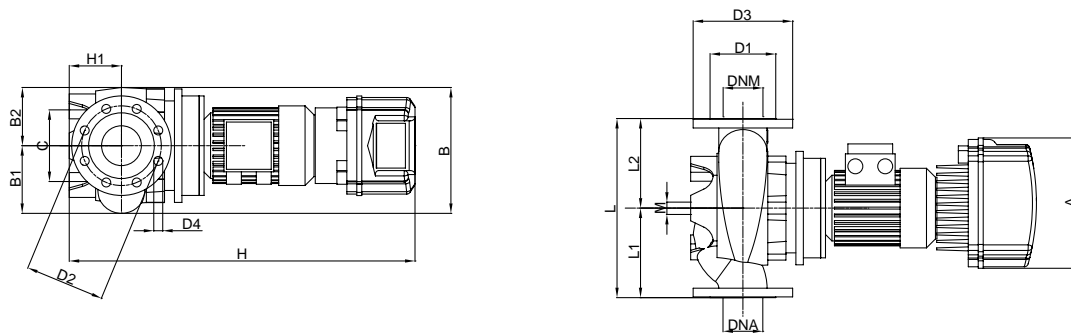
CPE 50



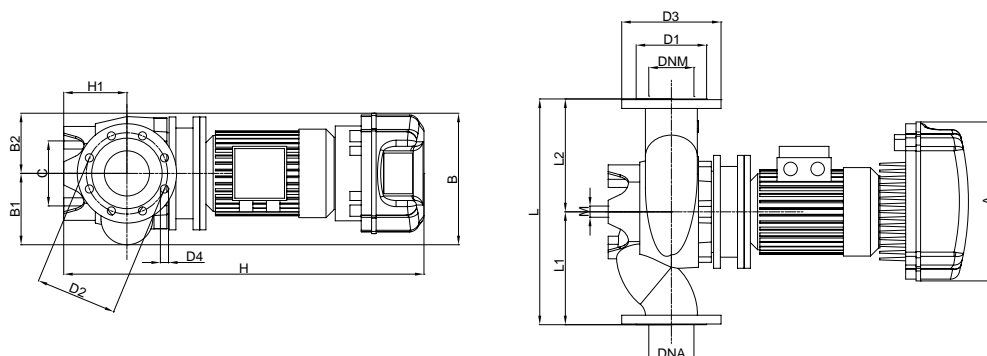
CP-GE 65



CP-GE 80



CP-GE 100



CPE / CP-GE / DCPE

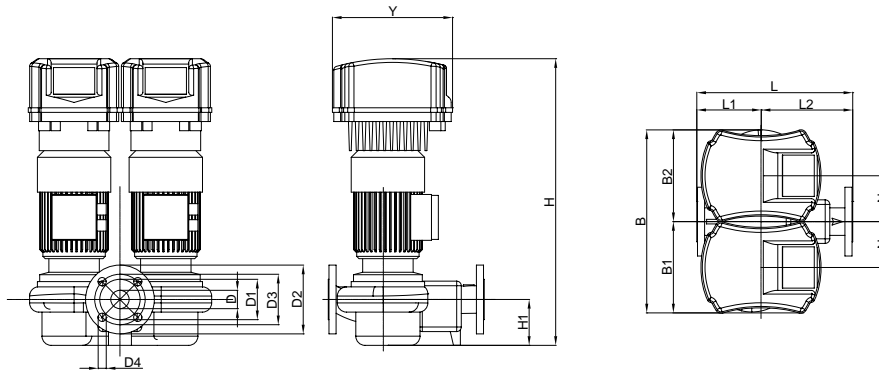
IN-LINE CONSTANT PRESSURE PUMPS

MODEL	A	B	B1	B2	C	D1	D2	D3	D4	H	H1	L	L1	L2	M	PACKAGING DIMENSIONS			WEIGHT KG
																L/A	L/B	H	
CPE 40/2300 M MCE11/C	262	231	118	113	85	88	110	150	4X18	663	95	390	200	190	12	500	270	810	49
CPE 40/3500 M MCE22/C	262	231	118	113	85	88	110	150	4X18	663	95	390	200	190	12	500	270	810	52
CPE 40/4700 T MCE55/C	353	286	159	127	-	88	110	150	4X18	735	100	380	200	180	-	650	400	945	58
CPE 40/5500 T MCE55/C	353	286	159	127	-	88	110	150	4X18	735	100	380	200	180	-	650	400	945	63
CPE 40/6200 T MCE110/C	426	286	159	127	-	88	110	150	4X18	785	100	380	200	180	-	650	400	945	64
CPE 50/2600 M MCE15/C	262	233	120	113	100	102	125	165	4X18	663	105	425	225	200	12	500	270	810	49
CPE 50/4100 T MCE55/C	353	233	120	113	100	102	125	165	4X18	737	105	425	225	200	12	500	270	810	62
CPE 50/4600 T MCE55/C	353	290	159	131	-	102	125	165	4X18	745	105	400	220	180	-	650	400	945	64
CPE 50/5650 T MCE110/C	426	341	170,5	170,5	-	102	125	165	4X18	745	105	400	220	180	-	650	400	945	72
CP-GE 65-1470/A/BAQE/1.5 M MCE15/C	262	270	144	126	144	122	145	185	4X18	725	105	360	180	180	16	650	400	945	67
CP-GE 65-2280/A/BAQE/3 T MCE30/C	353	270	144	126	144	122	145	185	4X18	808	105	360	180	180	16	650	400	945	88
CP-GE 65-2640/A/BAQE/4 T MCE55/C	353	270	144	126	144	122	145	185	4X18	808	105	360	180	180	16	650	400	945	95
CP-GE 65-3400/A/BAQE/5.5 T MCE55/C	353	270	144	126	144	122	145	185	4X18	936	105	360	180	180	16	650	400	945	128
CP-GE 65-4100/A/BAQE/7.5 T MCE110/C	426	341	144	126	144	122	145	185	4X18	1024	105	360	180	180	16	650	400	945	131
CP-GE 65-4700/A/BAQE/11 T MCE110/C	426	341	180	164	144	122	145	185	4X18	1099	125	475	237,5	237,5	16	650	400	945	209
CP-GE 65-5500/A/BAQE/15 T MCE150/C	426	341	180	164	144	122	145	185	4X18	1099	125	475	237,5	237,5	16	700	600	970	227
CP-GE 80-1400/A/BAQE/2.2 M MCE22/C	262	252	135	117	144	138	160	200	8X18	753	105	360	180	180	16	650	400	945	86
CP-GE 80-2050/A/BAQE/4 T MCE55/C	353	267	135	117	144	138	160	200	8X18	765	105	360	180	180	16	650	400	945	99
CP-GE 80-2400/A/BAQE/5.5 T MCE55/C	353	267	135	117	144	138	160	200	8X18	873	105	360	180	180	16	650	400	945	133
CP-GE 80-2770/A/BAQE/7.5 T MCE110/C	426	341	178	146	144	138	160	200	8X18	1038	115	440	220	220	16	650	400	945	88
CP-GE 80-3250/A/BAQE/11 T MCE110/C	426	341	178	146	144	138	160	200	8X18	1100	115	440	220	220	16	650	400	945	98
CP-GE 80-4000/A/BAQE/15 T MCE150/C	426	341	178	146	144	138	160	200	8X18	1100	115	440	220	220	16	650	400	945	103
CP-GE 100-1600/A/BAQE/4 T MCE55/C	353	341	158	126	144	158	180	220	8x18	898	140	500	250	250	16	650	400	945	86
CP-GE 100-1950/A/BAQE/5.5 T MCE55/C	353	341	158	126	144	158	180	220	8x18	1026	140	500	250	250	16	650	400	945	92
CP-GE 100-2350/A/BAQE/7.5 T MCE110/C	426	341	158	126	144	158	180	220	8x18	1064	140	500	250	250	16	700	600	970	110
CP-GE 100-2400/A/BAQE/11 T MCE110/C	426	346	193	153	230	158	180	220	8x18	1092	140	550	275	275	16	700	600	970	120
CP-GE 100-3050/A/BAQE/15 T MCE110/C	426	346	193	153	230	158	180	220	8x18	1092	140	550	275	275	16	700	600	970	159

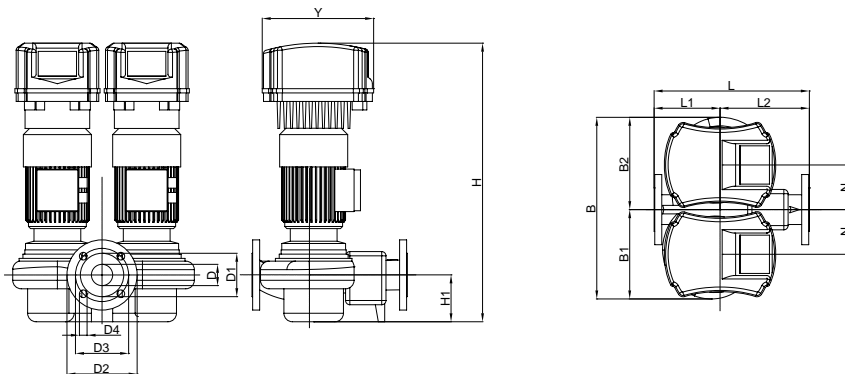
CPE / CP-GE / DCPE

IN-LINE CONSTANT PRESSURE PUMPS

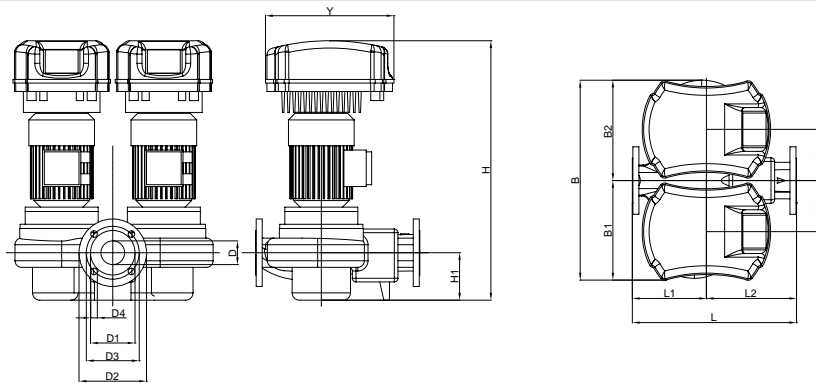
DCPE 40



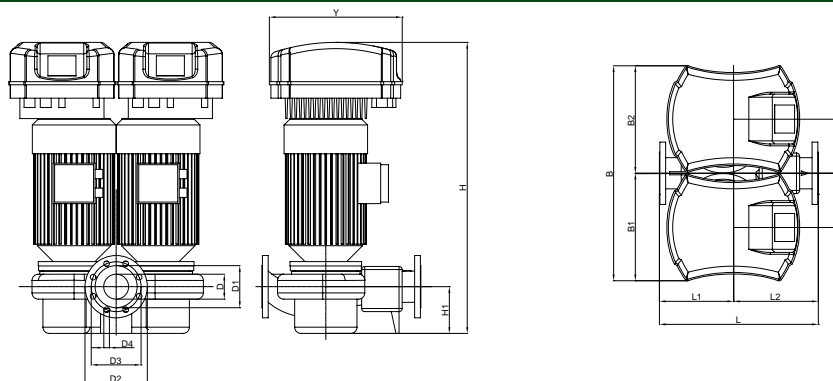
DCPE 50



DCPE 65



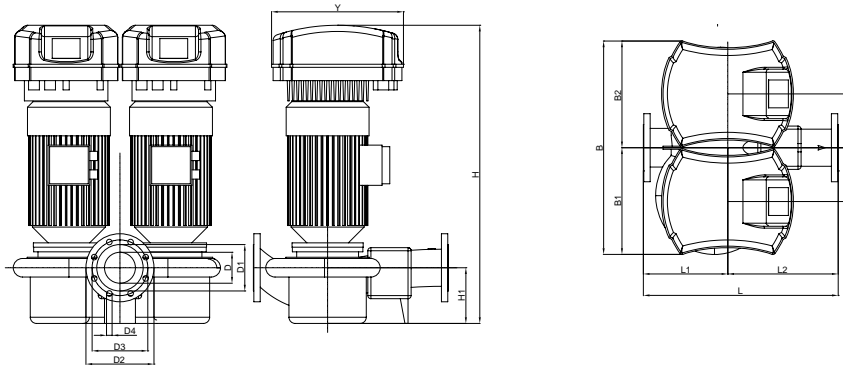
DCPE 80



CPE / CP-GE / DCPE

IN-LINE CONSTANT PRESSURE PUMPS

DCPE 100



MODEL	L	L1	L2	B	B1	B2	H	H1	N	D	D1	D2	D3	D4	Y	PACKAGING DIMENSIONS			WEIGHT KG
																L/A	L/B	H	
DCPE 40/1650 M MCE11/C	340	130	210	400	200	200	625	100	100	40 PN16	88	150	110	4 HOLES Ø18	262	520	400	710	54
DCPE 40/2450 M MCE15/C	340	130	210	400	200	200	625	100	100	40 PN16	88	150	110		262	520	400	710	58
DCPE 50/1550 M MCE15/C	365	145	220	427	217	210	655	110	105	50 PN16	102	165	125		262	520	400	710	60
DCPE 50/2450 T MCE30/C	365	145	220	427	217	210	655	110	105	50 PN16	102	165	125		353	520	400	710	75
DCPE 50/3650 T MCE55/C	410	170	240	480	235	245	735	110	120	50 PN16	102	165	125		353	700	600	970	95
DCPE 65/2300 T MCE30/C	450	180	270	543	268	275	685	130	140	65 PN16	122	185	145		353	700	600	970	76
DCPE 65/2650 T MCE55/C	450	180	270	543	268	275	695	130	140	65 PN16	122	185	145		353	700	600	970	90
DCPE 65/3250 T MCE55/C	450	180	270	543	268	275	765	130	140	65 PN16	122	185	145		353	700	600	970	110
DCPE 65/3700 T MCE110/C	450	180	270	701	350,5	350,5	920	130	140	65 PN16	122	185	145		426	700	600	970	138
DCPE 80/2530 T MCE110/C	510	205	305	691	345,5	345,5	920	150	135	80 PN16	138	200	160		8 HOLES Ø18	426	700	600	970
DCPE 80/3050 T MCE110/C	510	205	305	691	345,5	345,5	920	150	135	80 PN16	138	200	160	426		700	700	1100	154
DCPE 80/3650 T MCE150/C	510	205	305	691	345,5	345,5	920	150	135	80 PN16	138	200	160	426		700	700	1100	175
DCPE 80/4100 T MCE150/C	510	205	305	691	345,5	345,5	890	150	135	80 PN16	138	200	160	426		700	700	1100	188
DCPE 100/2450 T MCE110/C	630	240	390	751	375,5	375,5	970	180	165	100 PN16	158	220	180	426		700	700	1100	175
DCPE 100/2750 T MCE150/C	630	240	390	751	375,5	375,5	970	180	165	100 PN16	158	220	180	426		700	700	1100	175
DCPE 100/2900 T MCE150/C	630	240	390	751	375,5	375,5	970	180	165	100 PN16	158	220	180	426		700	700	1100	175
DCPE 100/3300 T MCE150/C	630	240	390	751	375,5	375,5	970	180	165	100 PN16	158	220	180	426		700	700	1100	175
DCPE 100/3750 T MCE150/C	630	240	390	751	375,5	375,5	970	180	165	100 PN16	158	220	180	426		700	700	1100	175