

DRY

motralec

4 rue Lavoisier . ZA Lavoisier . 95223 HERBLAY CEDEX
 Tel. : 01.39.97.65.10 / Fax. : 01.39.97.68.48
 Demande de prix / e-mail : service-commercial@motralec.com
www.motralec.com



Special alloy pumps

General characteristics

- Special alloy pumps
- 2,4 ÷ 15 kW motor power
- 2 / 4 poles
- DN65 ÷ DN100 delivery port
- max 80 mm free passage

Electromechanical assembly

Electromechanical assembly in CF-8M (AISI 316) stainless steel, for submerged operation. Seal set comprising 2 (two) silicon carbide mechanical seals installed in series in inspectable oil sump and 1 (one) opposed graphite-alumina lip seal lubricated by the motor oil. Oil bath motor. 'Separate pump body. Series not available in explosion-proof version.

Applications

Designed for the treatment of strongly corrosive or chemically aggressive liquids, especially in the chemical industry, this unit is for a specific industrial application. Suitable for treating medium-low density fluids, containing solid and fibrous parts, sand and activated sludges.

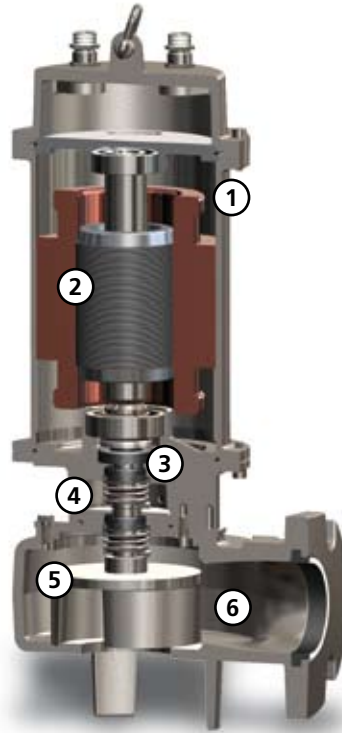
Construction materials

Case	Cast Stainless Steel - CF-8M
Impeller	Stainless steel
Nuts and bolts	Stainless Steel - Class A4-70
Standard gasket	Rubber - VITON
Shaft	Stainless Steel - AISI 420
Set of standard mechanical seals	Two Silicon carbide mechanical seals (SiC) and One Carbon-Aluminium oxide mechanical seal (AL)

operating limits

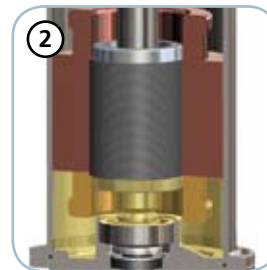
Maximum operating temperature	40 °C
PH of treated fluid	5 to 10 pH
Viscosity of treated fluid	1 mm ² /s
Maximum immersion depth	20 m
Density of treated fluid	1 Kg/dm ³
Maximum acoustic pressure	70 dB
max starts per hour	20

DRY



Structure

CF-8M steel construction which makes the pump suitable for use in saline environments



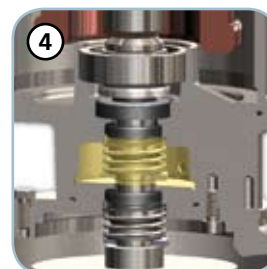
Motor

Oil-bath motor with thermal overloads



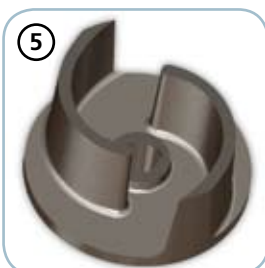
Mechanical seals

Two mechanical seals in silicon carbide (SiC) and one mechanical seal in alumina graphite (AL) for maximum reliability even in heavy-duty applications



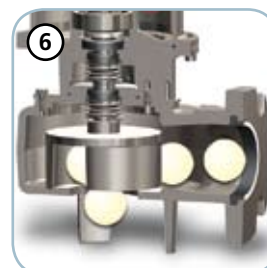
Oil sump

Large oil sump to guarantee longer mechanical seal lifetime



Impeller

Multichannel open impeller in CF-8M steel



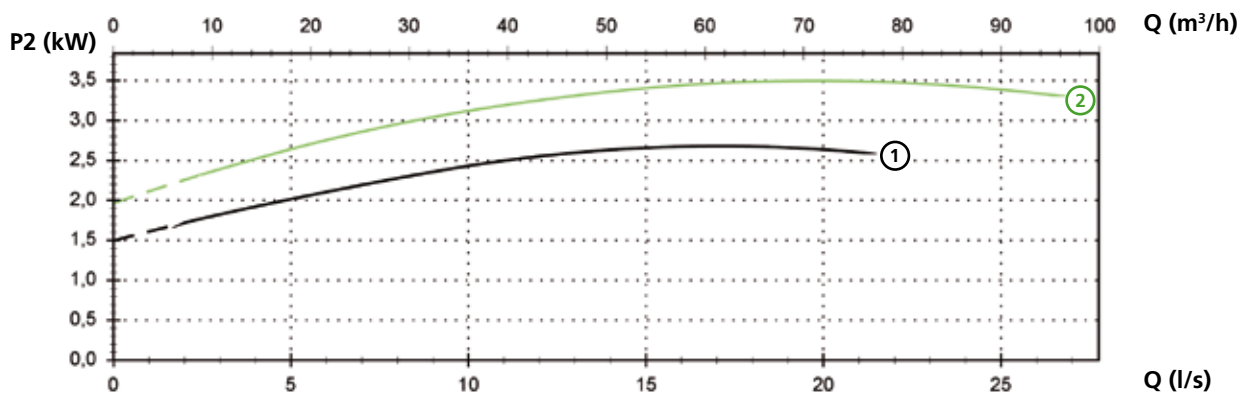
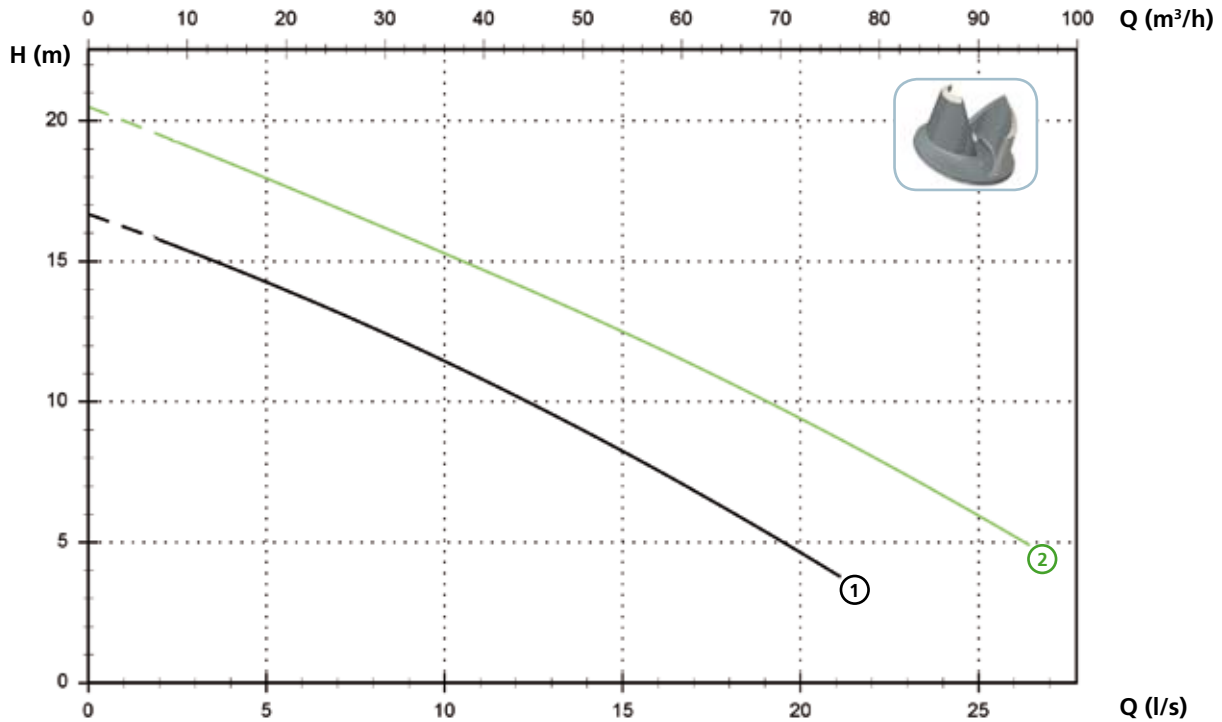
Free passage

Ample free passage allowing the expulsion of solids and preventing fouling of the impeller

DRY

Models with horizontal DN65 PN10-16 flanged delivery port - 2 poles

Performances



Technical data

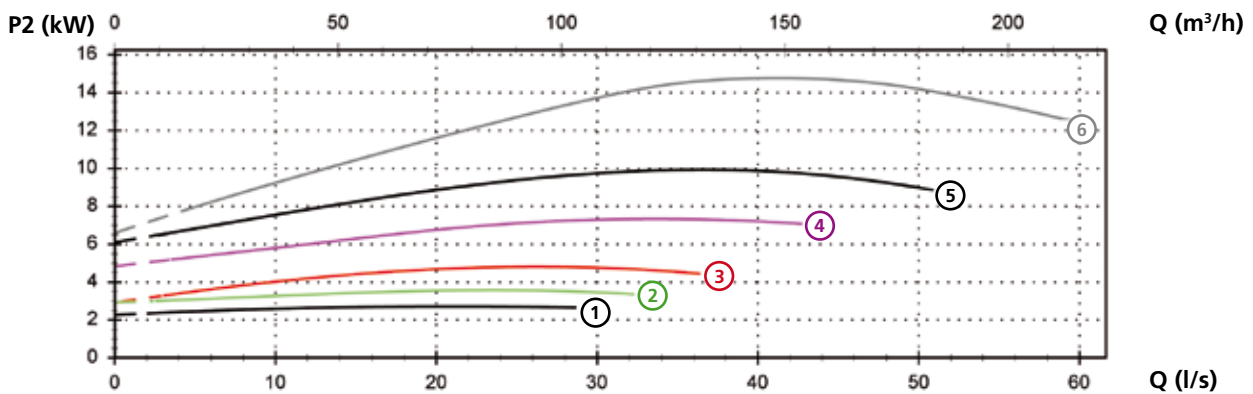
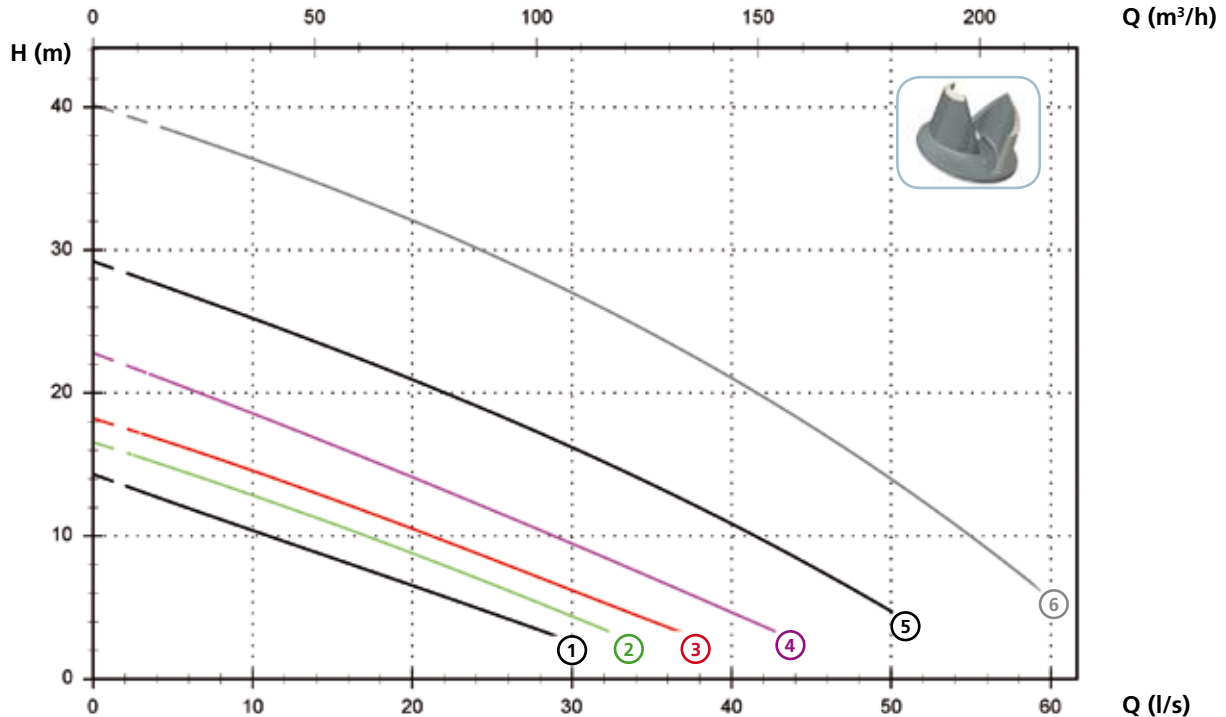
	V	Phases	P1 (kW)	P2 (kW)	A	Rpm	Ø	Cable (*)	Free passage
① DRY 300/2/65 A0ET/50	400	3	3.7	2.7	6	2900	DN65 PN10-16	A	43 mm
② DRY 400/2/65 A0FT/50	400	3	4.7	3.6	8	2900	DN65 PN10-16	A	43 mm

(*) A = H07RN-F 4G1.5 + H07RN-F 2G1 - 10 m

DRY

Models with horizontal DN80 PN10 flanged delivery port - 2 poles

Performances



Technical data

	V	Phases	P1 (kW)	P2 (kW)	A	Rpm	Ø	Cable (*)	Free passage
①	400	3	3.7	2.7	6	2900	DN80 PN10	A	56 mm
②	400	3	4.7	3.6	8	2900	DN80 PN10	A	56 mm
③	400	3	5.9	4.9	10.1	2900	DN80 PN10	A	56 mm
④	400	3	8.8	7.2	14.5	2900	DN80 PN10	B	63 mm
⑤	400	3	12.4	10	19.8	2900	DN80 PN10	B	65 mm
⑥	400	3	17.7	15	28.2	2900	DN80 PN10	B	60 mm

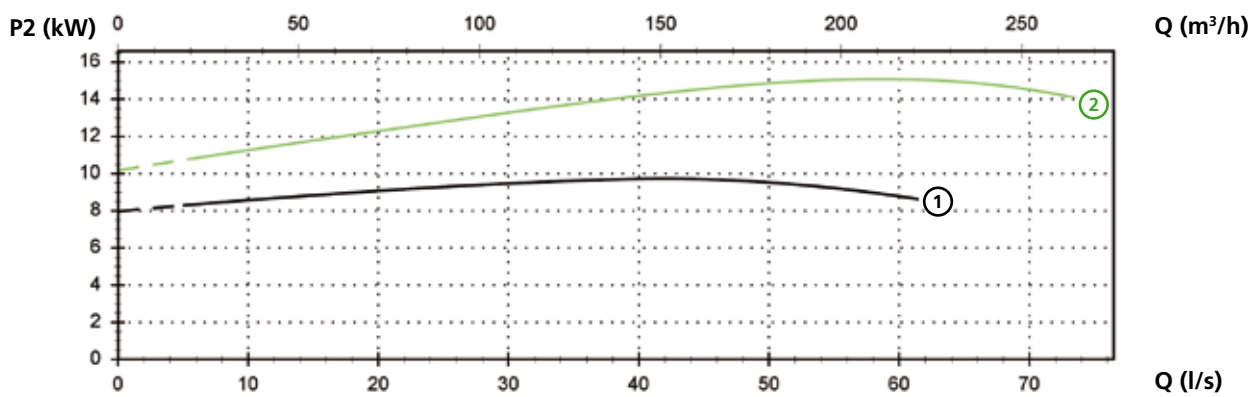
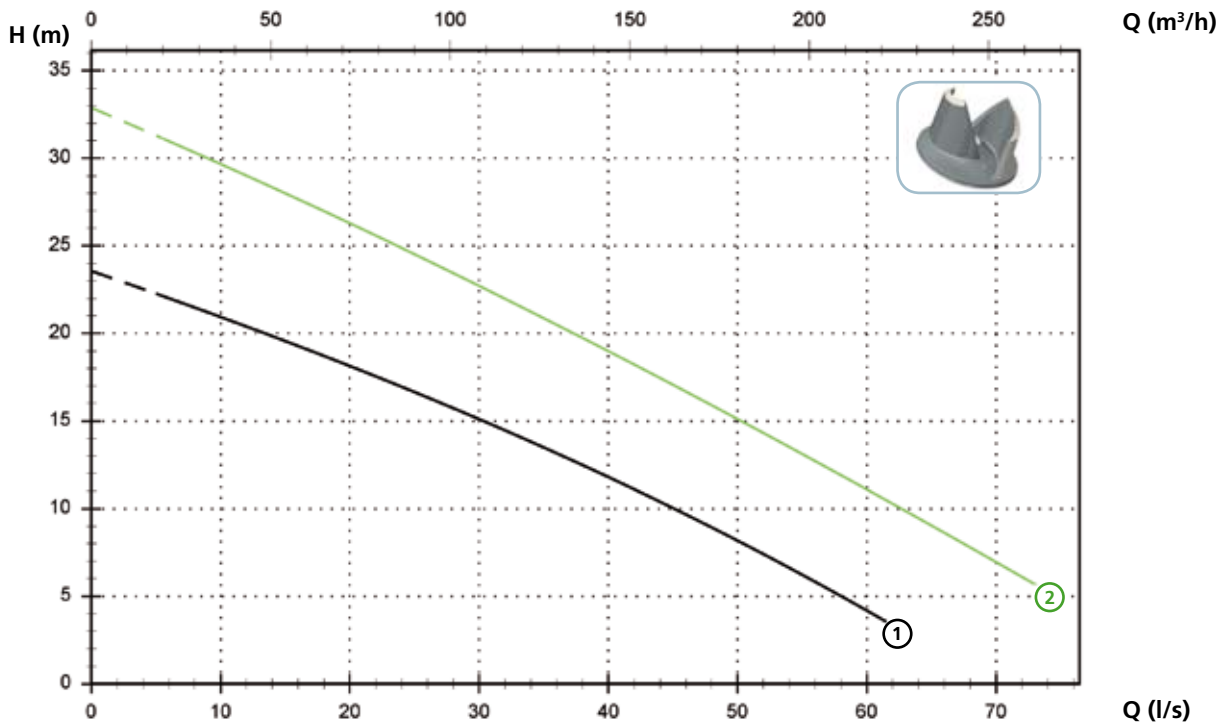
(*) A = H07RN-F 4G1.5+ H07RN-F 2G1 - 10 m
 B = H07RN-F 4G2.5 + H07RN-F 4G2.5 + H07RN-F 2G1 - 10 m



DRY

Models with horizontal DN100 PN10-16 flanged delivery port - 2 poles

Performances



Technical data

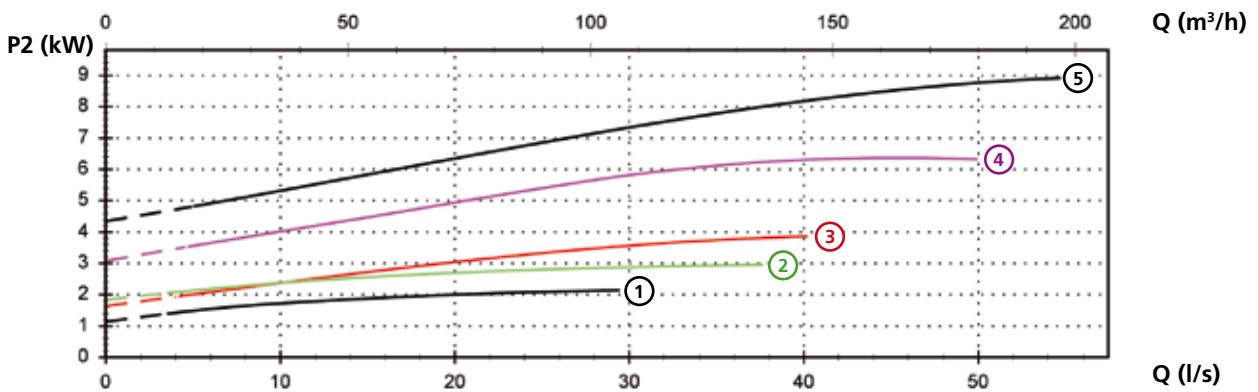
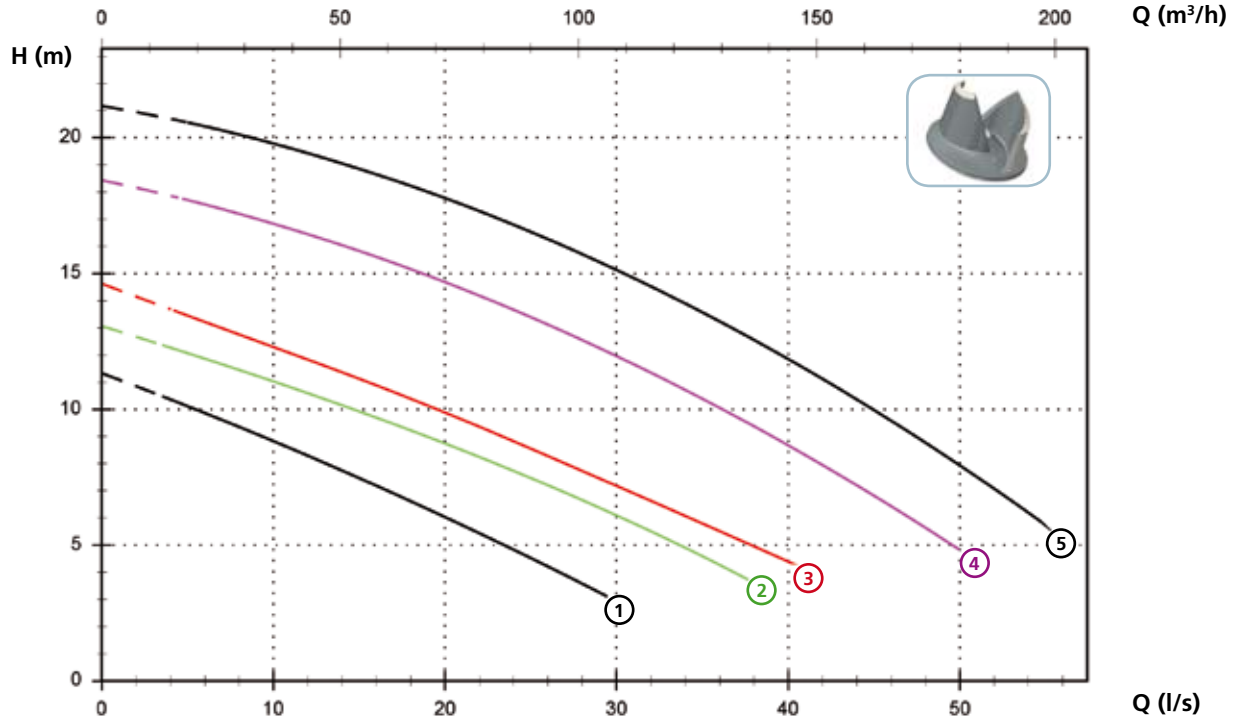
	V	Phases	P1 (kW)	P2 (kW)	A	Rpm	Ø	Cable (*)	Free passage
① DRY 1000/2/100 A0HT/50	400	3	12.4	10	19.8	2900	DN100 PN10-16	A	80 mm
② DRY 1500/2/100 A0HT/50	400	3	17.7	15	28.2	2900	DN100 PN10-16	A	80 mm

(*) A = H07RN-F 4G2.5 + H07RN-F 4G2.5 + H07RN-F 2G1 - 10 m

DRY

Models with horizontal DN80 PN10 flanged delivery port - 4 poles

Performances



Technical data

	V	Phases	P1 (kW)	P2 (kW)	A	Rpm	Ø	Cable (*)	Free passage	
①	DRY 300/4/80 A0FT/50	400	3	3.1	2.4	6.1	1450	DN80 PN10	A	67 mm
②	DRY 400/4/80 A0FT/50	400	3	4.1	3	7.9	1450	DN80 PN10	A	67 mm
③	DRY 550/4/80 A0GT/50	400	3	5.9	4.6	10.1	1450	DN80 PN10	A	67 mm
④	DRY 750/4/80 A0HT/50	400	3	8.6	6.5	14.9	1450	DN80 PN10	B	70 mm
⑤	DRY 1000/4/80 A0HT/50	400	3	11.5	8.9	20	1450	DN80 PN10	B	70 mm

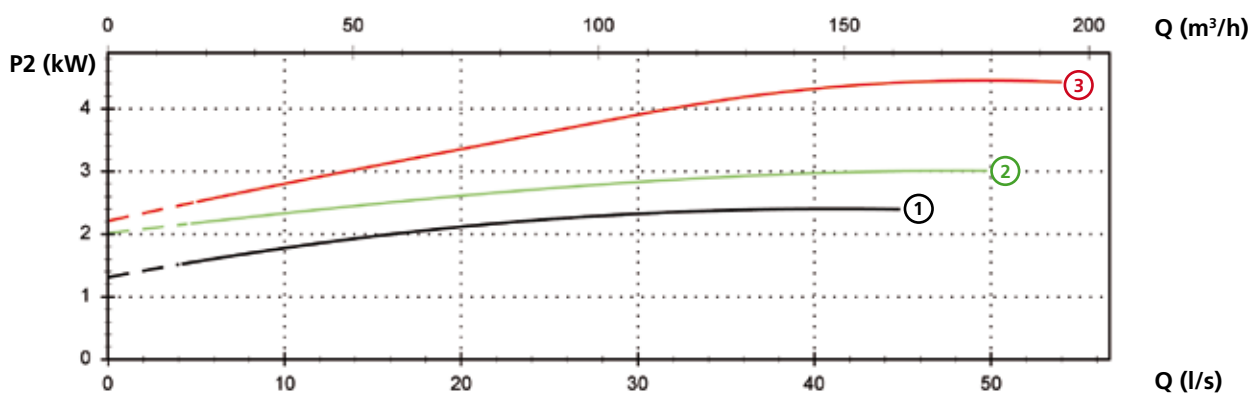
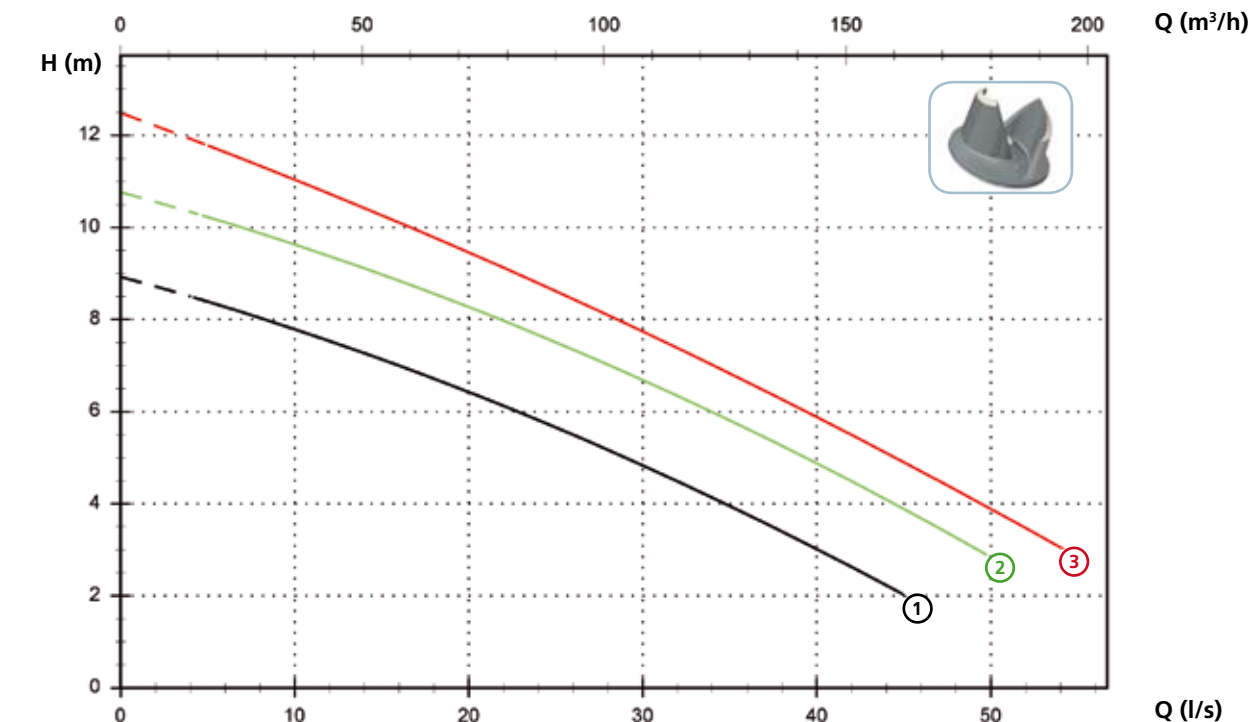
(*) A = H07RN-F 4G1.5 + H07RN-F 2G1 - 10 m
 B = H07RN-F 4G2.5 + H07RN-F 4G2.5 + H07RN-F 2G1 - 10 m



DRY

Models with horizontal DN100 PN10-16 flanged delivery port - 4 poles

Performances



Technical data

	V	Phases	P1 (kW)	P2 (kW)	A	Rpm	Ø	Cable (*)	Free passage
① DRY 300/4/100 A0FT/50	400	3	3.1	2.4	6.1	1450	DN100 PN10-16	A	76 mm
② DRY 400/4/100 A0FT/50	400	3	4.1	3	7.9	1450	DN100 PN10-16	A	76 mm
③ DRY 550/4/100 A0GT/50	400	3	5.9	4.6	10.1	1450	DN100 PN1016	B	76 mm

(*) A = H07RN-F 4G1.5 + H07RN-F 2G1 - 10 m
 B = H07RN-F 4G2.5 + H07RN-F 2G1 - 10 m

DRY

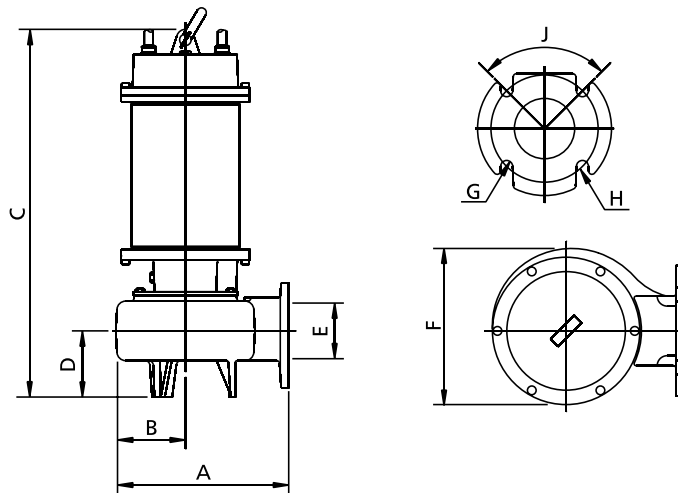
Versions available

(Key to versions on page 15)

	Electrical variants											Cooling		Mechanical seals					
	N A E	T	T C	T C D	T C D T	T C D G T	T C S T	T C S G T	T S	T R	T R G	F T	C G F T	N	CC	2SIC	SICM	SICAL	2SICAL
DRY 300/2/65 A0ET/50		●											●						●
DRY 400/2/65 A0FT/50		●											●						●
DRY 300/2/80 A0ET/50		●											●						●
DRY 400/2/80 A0FT/50		●											●						●
DRY 550/2/80 A0GT/50		●											●						●
DRY 750/2/80 A0HT/50		●											●						●
DRY 1000/2/80 A0HT/50		●											●						●
DRY 1500/2/80 A0HT/50		●											●						●
DRY 1000/2/100 A0HT/50		●											●						●
DRY 1500/2/100 A0HT/50		●											●						●
DRY 300/4/80 A0FT/50		●											●						●
DRY 400/4/80 A0FT/50		●											●						●
DRY 550/4/80 A0GT/50		●											●						●
DRY 750/4/80 A0HT/50		●											●						●
DRY 1000/4/80 A0HT/50		●											●						●
DRY 300/4/100 A0FT/50		●											●						●
DRY 400/4/100 A0FT/50		●											●						●
DRY 550/4/100 A0GT/50		●											●						●

Overall dimensions and weights

2 poles motor models



	A	B	C	D	E	F	G	H	J	kg
DRY 300/2/65 A0ET/50	270	110	570	105	65	220	18	145	90°	50
DRY 400/2/65 A0FT/50	270	110	645	105	65	220	18	145	90°	54
DRY 300/2/80 A0ET/50	295	120	580	115	80	220	18	160	90°	51
DRY 400/2/80 A0FT/50	295	120	660	115	80	235	18	160	90°	65
DRY 550/2/80 A0GT/50	295	120	665	115	80	235	18	160	90°	62
DRY 750/2/80 A0HT/50	390	150	755	150	80	295	18	160	90°	104
DRY 1000/2/80 A0HT/50	390	150	755	150	80	295	18	160	90°	110
DRY 1500/2/80 A0HT/50	390	150	755	150	80	295	18	160	90°	130
DRY 1000/2/100 A0HT/50	415	160	770	155	100	310	18	180	90°	115
DRY 1500/2/100 A0HT/50	415	160	770	155	100	310	18	180	90°	144

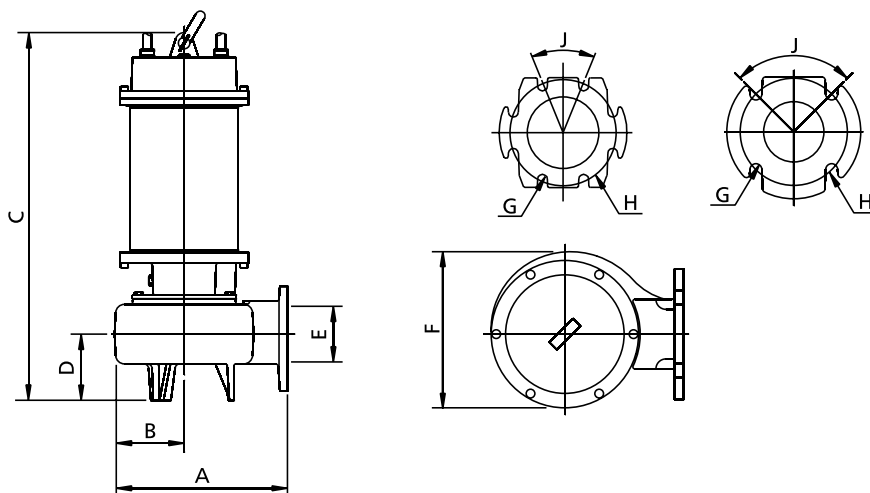
Measurements in mm



DRY

Overall dimensions and weights

4 poles motor models



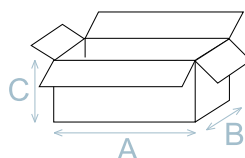
	A	B	C	D	E	F	G	H	J	kg
DRY 300/4/80A0FT/50	390	150	710	150	80	290	18	160	90°	73
DRY 400/4/80A0FT/50	390	150	710	150	80	290	18	160	90°	81
DRY 550/4/80 A0GT/50	390	150	720	150	80	290	18	160	90°	87
DRY 750/4/80 A0HT/50	440	170	775	155	80	340	18	160	90°	120
DRY 1000/4/80 A0HT/50	440	170	775	155	80	340	18	160	90°	128
DRY 300/4/100 A0FT/50	415	160	725	155	100	310	18	180	45°	75
DRY 400/4/100 A0FT/50	415	160	720	155	100	310	18	180	45°	85
DRY 550/4/100 A0GT/50	415	160	725	155	100	310	18	180	45°	91

Measurements in mm

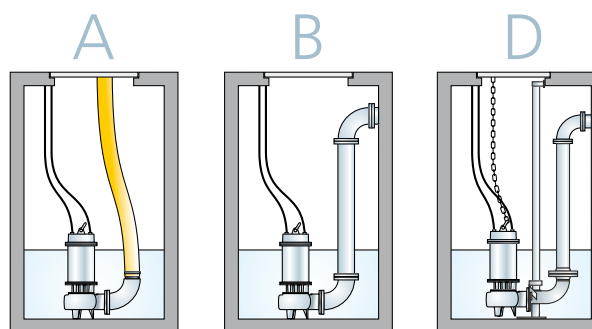
Packaging dimension

	A	B	C
DRY 300/2/65 A0ET/50	725	445	415
DRY 400/2/65 A0FT/50	725	445	415
DRY 300/2/80A0ET/50	725	445	415
DRY 400/2/80A0FT/50	725	445	415
DRY 550/2/80A0GT/50	725	445	415
DRY 750/2/80A0HT/50	915	515	555
DRY 1000/2/80A0HT/50	915	515	555
DRY 1500/2/80A0HT/50	915	515	555
DRY 1000/2/100 A0HT/50	915	515	555
DRY 1500/2/100 A0HT/50	915	515	555
DRY 300/4/80A0FT/50	725	445	415
DRY 400/4/80A0FT/50	725	445	415
DRY 550/4/80 A0GT/50	725	445	415
DRY 750/4/80 A0HT/50	915	515	555
DRY 1000/4/80 A0HT/50	915	515	555
DRY 300/4/100 A0FT/50	725	445	415
DRY 400/4/100 A0FT/50	725	445	415
DRY 550/4/100 A0GT/50	725	445	415

Dimension in mm



Installations available





motralec

4 rue Lavoisier . ZA Lavoisier . 95223 HERBLAY CEDEX

Tel. : 01.39.97.65.10 / Fax. : 01.39.97.68.48

Demande de prix / e-mail : service-commercial@motralec.com

www.motralec.com