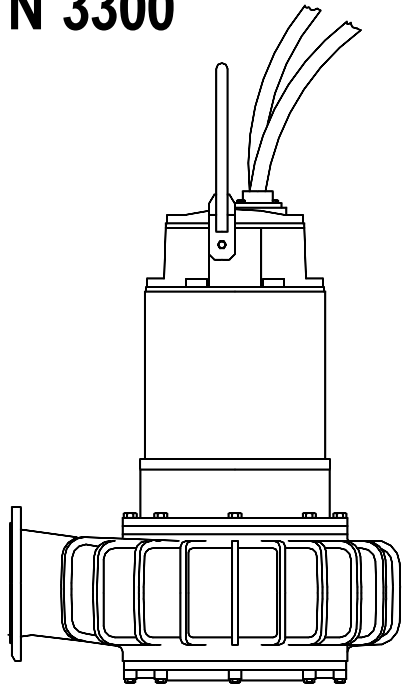
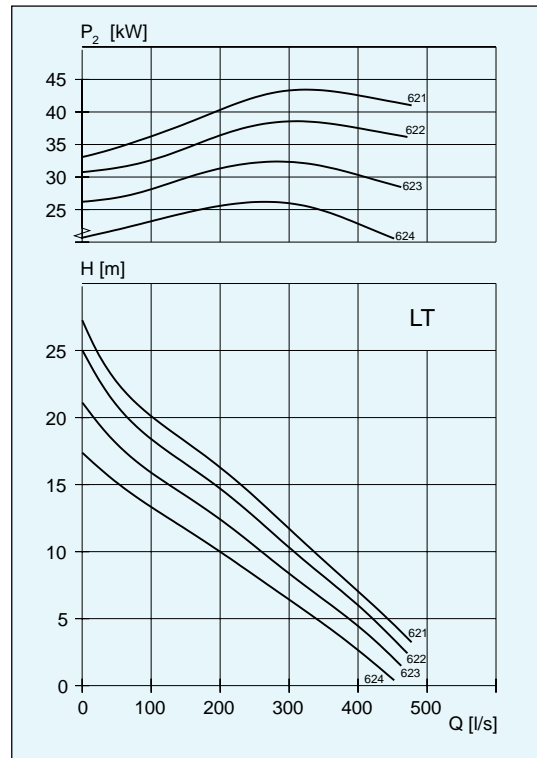


# N 3300



Weight, kg	NP	NS	NT	NZ
LT	1065	1180	1313	1313
MT	1092	1207	1340	1340

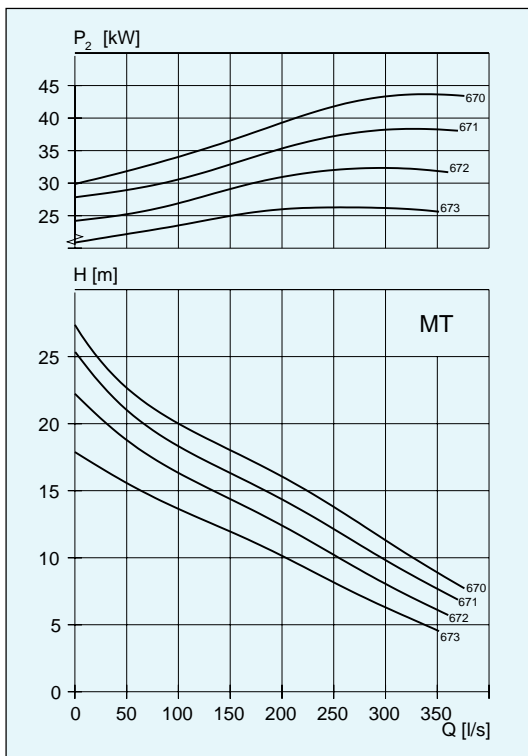
# NP/NS/NT/NZ



Impeller code	No. of vanes	Outlet dia mm NP vers.	Motor rating kW		rpm	Available versions
			P <sub>1</sub>	P <sub>2</sub>		
•621	2	300	50	44	975	NP/NS/NT/NZ
•622	2	300	50	44	975	NP/NS/NT/NZ
•623	2	300	50	44	975	NP/NS/NT/NZ
•623	2	300	39	34	975	NP/NS/NT/NZ
•624	2	300	50	44	975	NP/NS/NT/NZ
•624	2	300	39	34	975	NP/NS/NT/NZ

• Can be equipped with flush valve

# NP/NS/NT/NZ



Impeller code	No. of vanes	Outlet dia mm NP vers.	Motor rating kW		rpm	Available versions
			P <sub>1</sub>	P <sub>2</sub>		
•670	2	250	50	44	975	NP/NS/NT/NZ
•671	2	250	50	44	975	NP/NS/NT/NZ
•672	2	250	50	44	975	NP/NS/NT/NZ
•672	2	250	39	34	975	NP/NS/NT/NZ
•673	2	250	50	44	975	NP/NS/NT/NZ
•673	2	250	39	34	975	NP/NS/NT/NZ