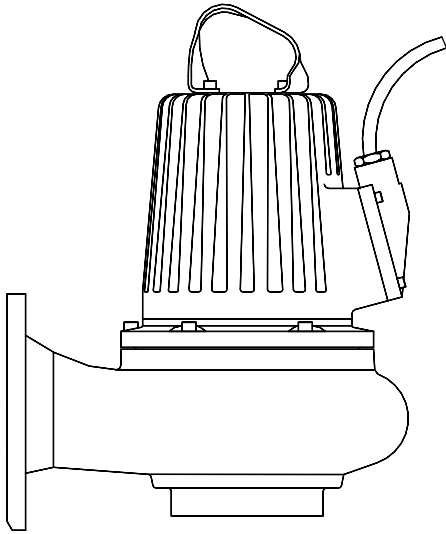
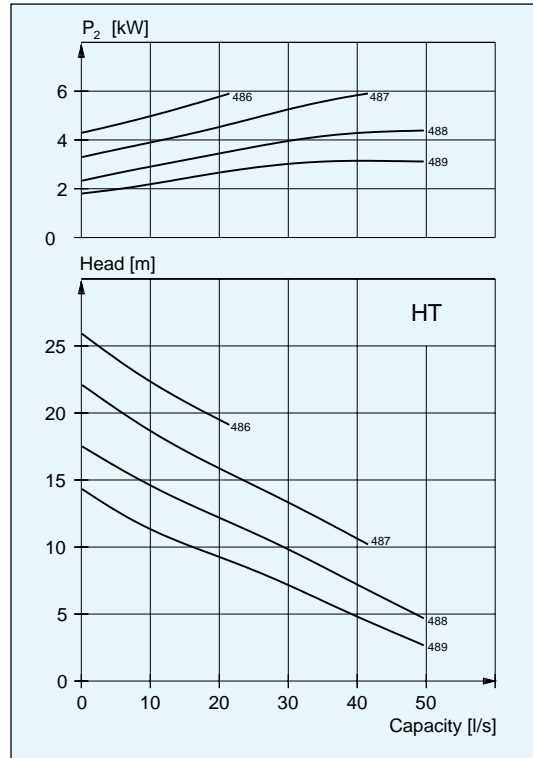


N 3127



Weight, kg	NP	NS	NT	NZ
HT	136	142	156	200

NP/NS/NT/NZ



Impeller code	No. of vanes	Outlet dia mm NP vers.	Motor rating kW		rpm	Available versions
			P_1	P_2		
•486	2	100	7.0	5.9	1450	NPNS
•486	2	100	5.7	4.7	1445	NPNS
•487	2	100	7.0	5.9	1450	NPNS
•487	2	100	5.7	4.7	1445	NPNS
•W488	2	100	7.0	5.9	1450	NPNS
•488	2	100	5.7	4.7	1445	NPNS
•W489	2	100	7.0	5.9	1450	NPNS
•489	2	100	5.7	4.7	1445	NPNS
488	2	100	5.7	4.7	1445	NT/NZ
488	2	100	4.8	4.0	1445	NT/NZ
489	2	100	5.7	4.7	1445	NT/NZ
489	2	100	4.8	4.0	1445	NT/NZ

• Can be equipped with flush valve