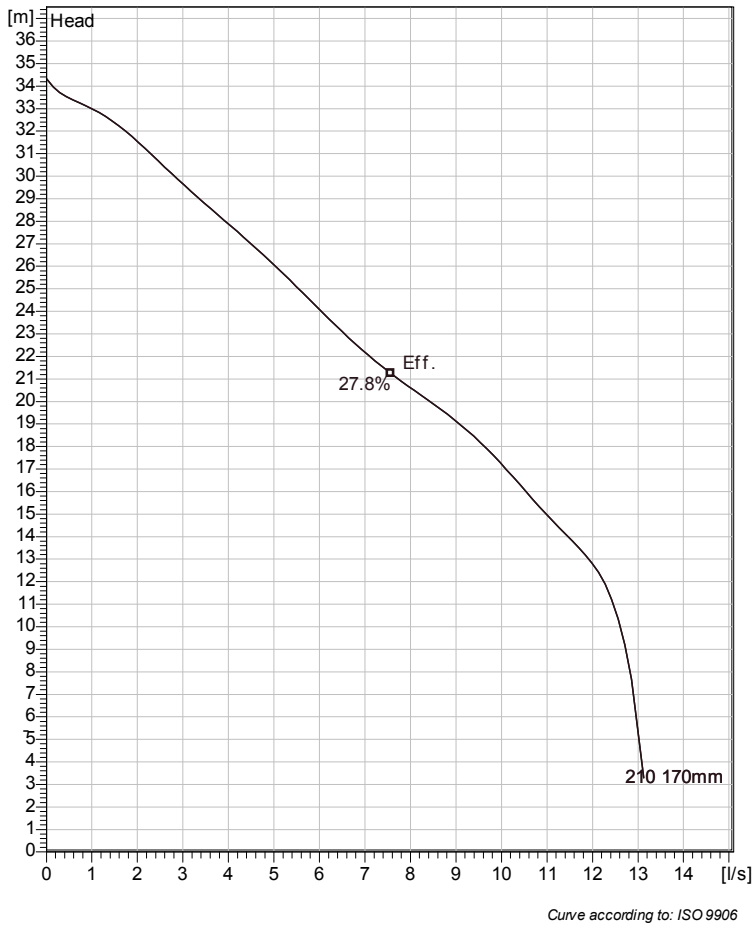


MP 3127 LT 3~ 210
Technical specification



Note: Picture might not correspond to the current configuration.

General

Semi-open multi-channel impellers with integral grinder cutter in single volute casing for liquids containing solids and fibres.

Impeller

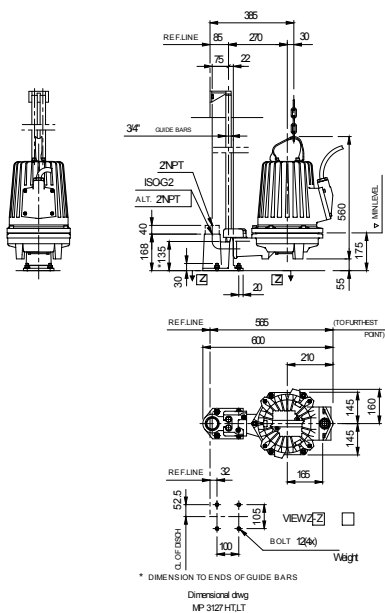
| | |
|-------------------|----------------|
| Impeller material | Grey cast iron |
| Outlet width | 50 mm |
| Inlet diameter | 85 mm |
| Impeller diameter | 170 mm |
| Number of blades | 6 |

Motor

| | |
|------------------|-----------------------------|
| Motor # | M3127.170 21-11-2AL-W 7,4KW |
| Stator variant | |
| Frequency | 50 Hz |
| Rated voltage | 415 V |
| Number of poles | 2 |
| Phases | 3~ |
| Rated power | 7.4 kW |
| Rated current | 13 A |
| Starting current | 98 A |
| Rated speed | 2895 rpm |
| Power factor | |
| 1/1 Load | 0.92 |
| 3/4 Load | 0.90 |
| 1/2 Load | 0.86 |
| Efficiency | |
| 1/1 Load | 83.5 % |
| 3/4 Load | 84.5 % |
| 1/2 Load | 83.5 % |

Configuration

Installation: P - Semi permanent, Wet



| | | | | |
|---------|------------|------------|---------------------------------|-------------|
| Project | Project ID | Created by | Created on 2012-10-25 | Last update |
|---------|------------|------------|---------------------------------|-------------|

MP 3127 LT 3~ 210

Performance curve

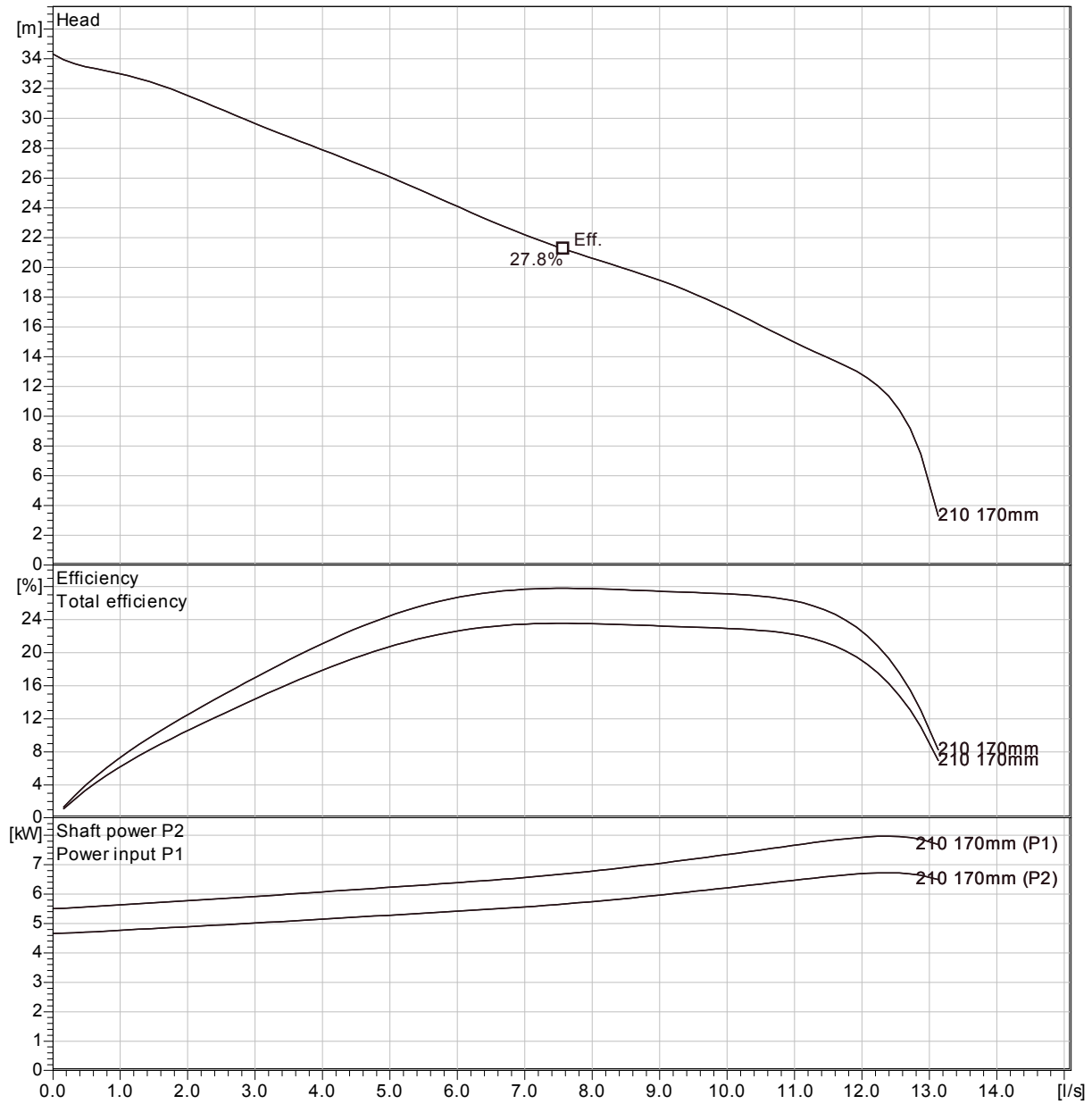
Pump

Outlet width 50 mm
Inlet diameter 85 mm
Impeller diameter 170 mm
Number of blades 6

Motor

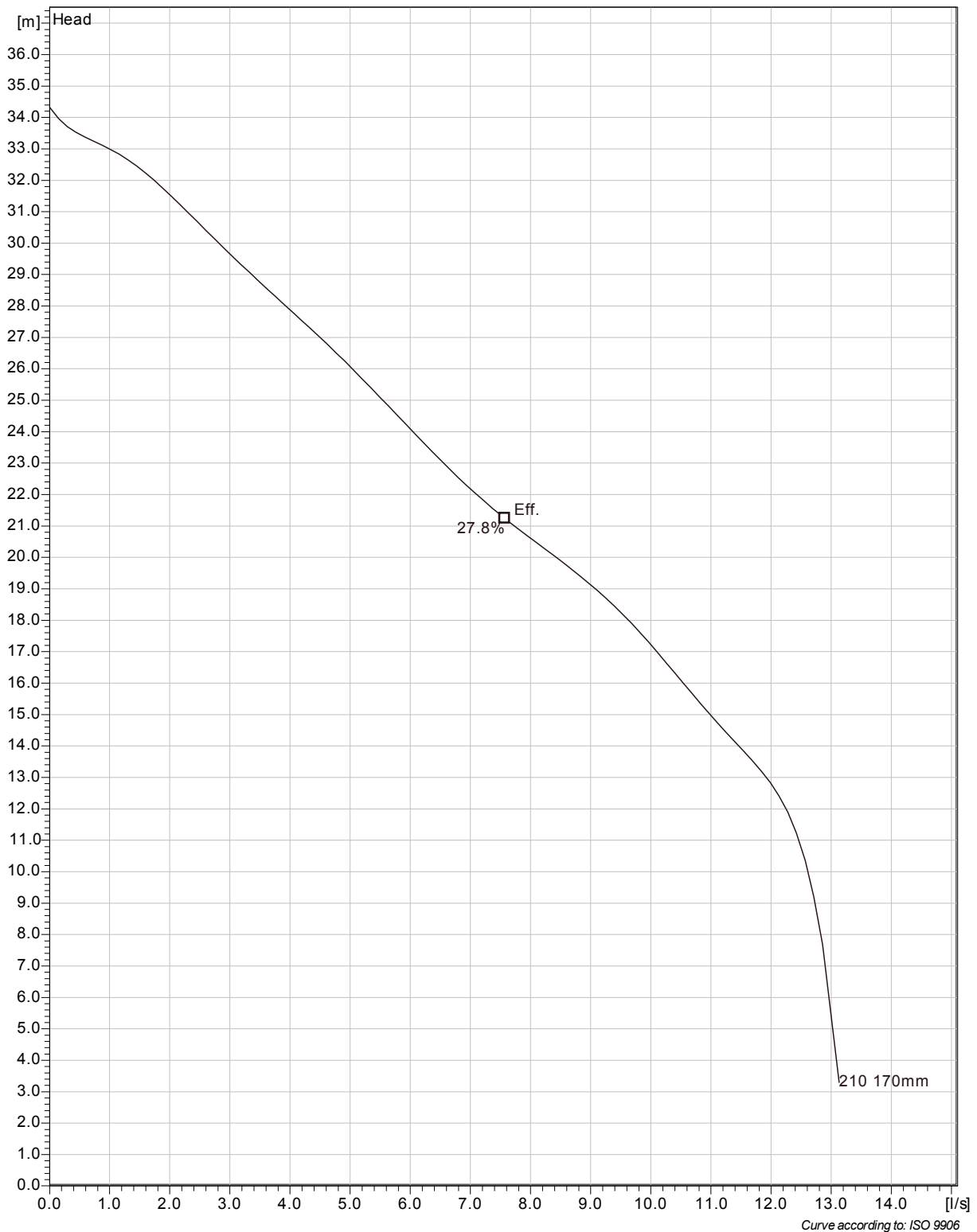
Motor # M3127.170 21-11-2AL-W 7,4KW
Stator variant
Frequency 50 Hz
Rated voltage 415 V
Number of poles 2
Phases 3~
Rated power 7.4 kW
Rated current 13 A
Starting current 98 A
Rated speed 2895 rpm

Power factor
1/1 Load 0.92
3/4 Load 0.90
1/2 Load 0.86
Efficiency
1/1 Load 83.5 %
3/4 Load 84.5 %
1/2 Load 83.5 %



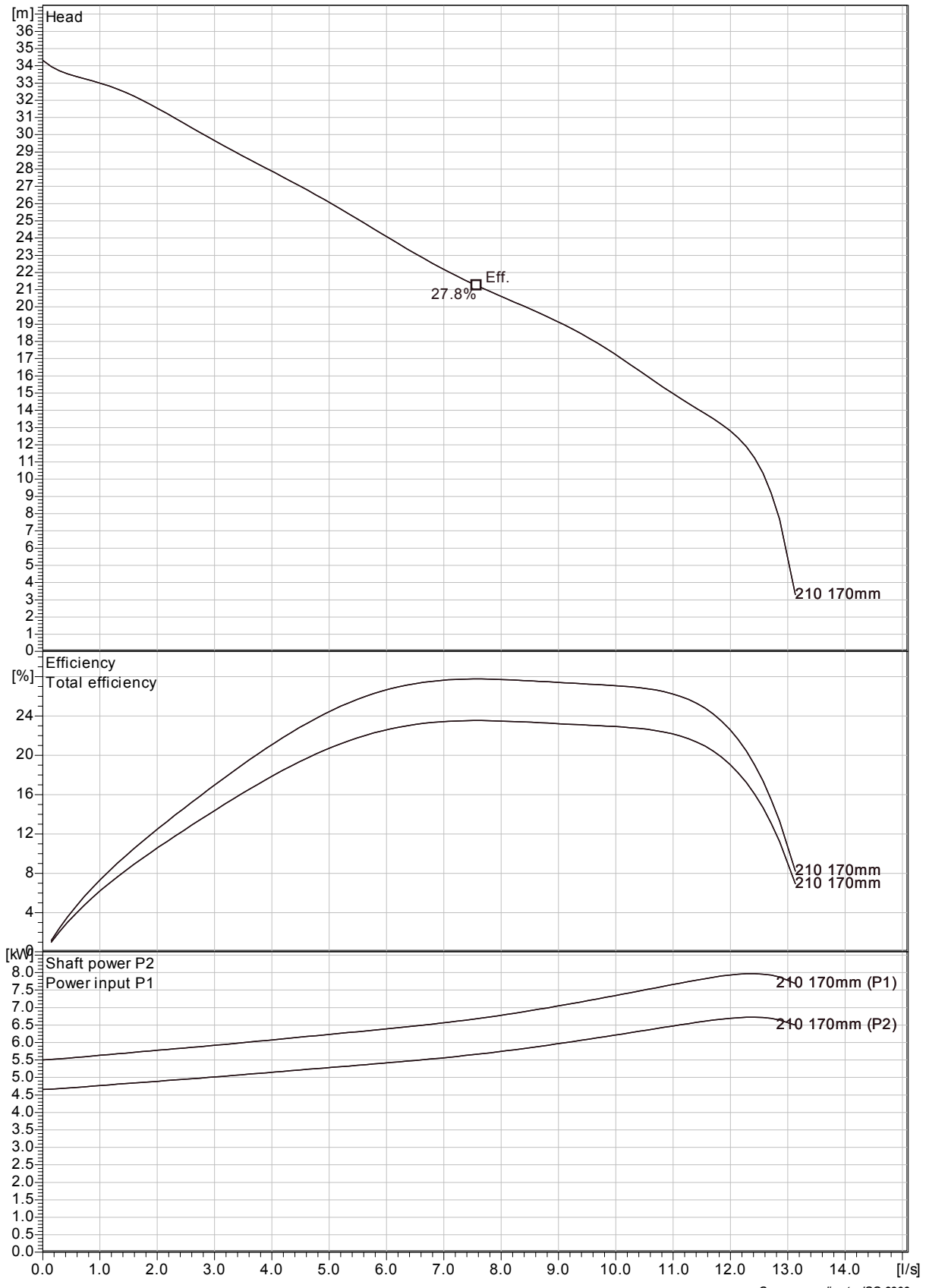
| | | | | |
|---------|------------|------------|--------------------------|-------------|
| Project | Project ID | Created by | Created on 2012-10-25 | Last update |
|---------|------------|------------|--------------------------|-------------|

MP 3127 LT 3~ 210
Duty Analysis



| Project | Project ID | Created by | Created on | Last update |
|---------|------------|------------|------------|-------------|
| | | | 2012-10-25 | |

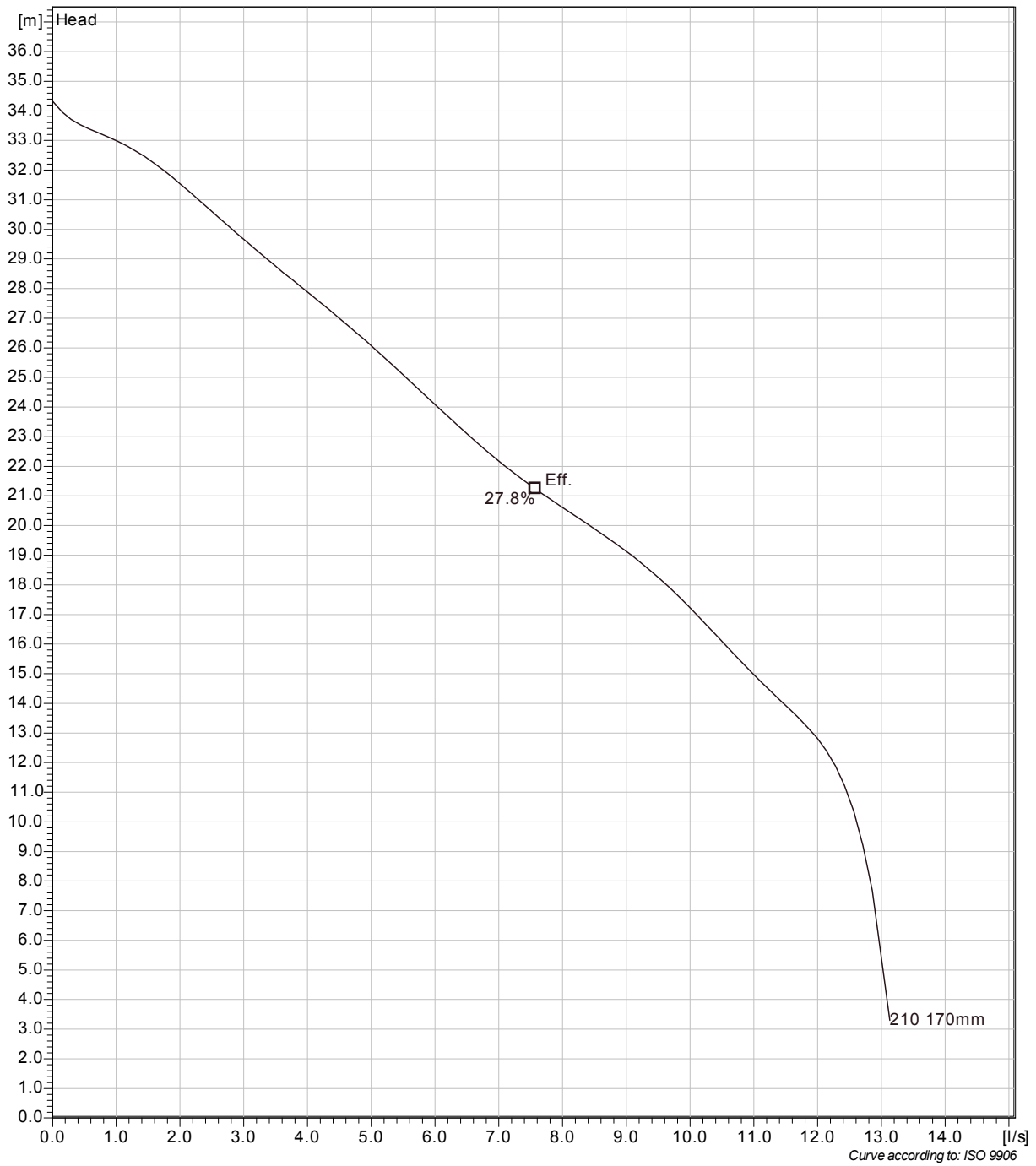
MP 3127 LT 3~ 210
VFD Curve



Curve according to: ISO 9906

| Project | Project ID | Created by | Created on | Last update |
|---------|------------|------------|------------|-------------|
| | | | 2012-10-25 | |

MP 3127 LT 3~ 210
VFD Analysis



| Project | Project ID | Created by | Created on | Last update |
|---------|------------|------------|------------|-------------|
| | | | 2012-10-25 | |