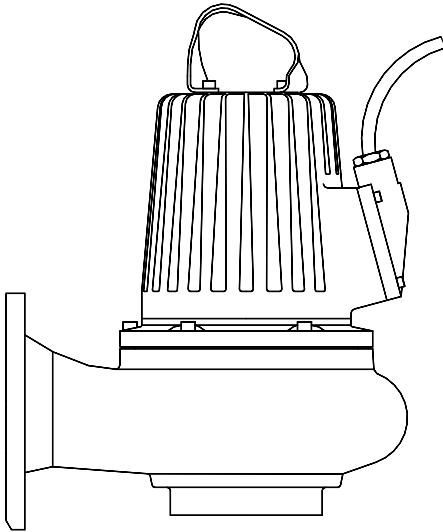
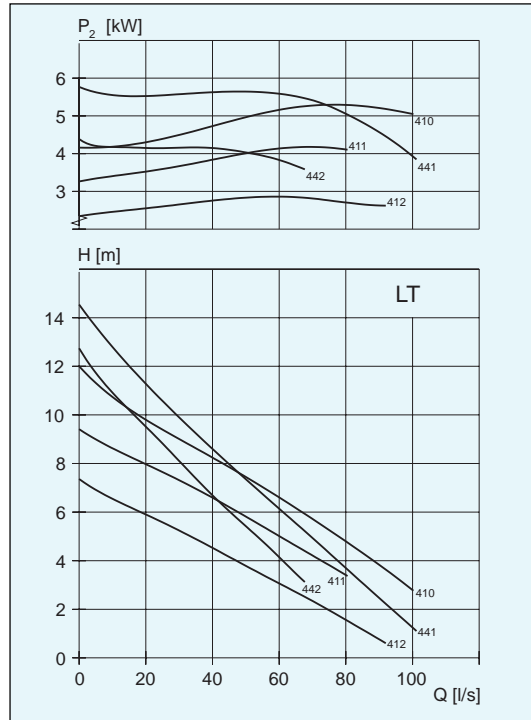


C 3127

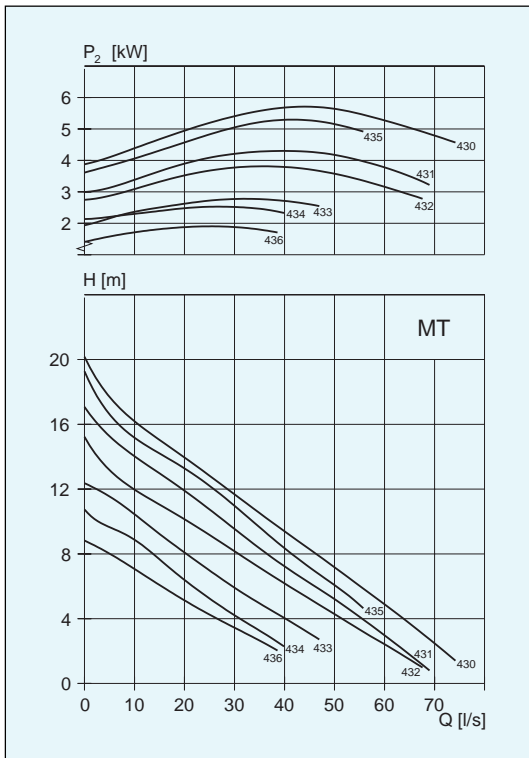


Weight, kg	CP	CT/CZ	CS
LT	154	221	181
MT	142	188	158

CP/CS/CT/CZ



CP/CS/CT/CZ



Impeller code	No. of vanes	Outlet dia mm CP vers.	Through-let, mm	Motor rating kW		rpm	Available versions
				P ₁	P ₂		
W•410	2	200	∅76	7.0	5.9	1450	CPICS
W•411	2	200	∅76	7.0	5.9	1450	CPICS
•411	2	200	∅76	5.7	4.7	1450	CPICS
W•412	2	200	∅76	7.0	5.9	1450	CPICS
•412	2	200	∅76	5.7	4.7	1450	CPICS
W•441	1	200	107x117	7.0	5.9	1450	CPICS
W•442	1	200	∅76	7.0	5.9	1450	CPICS
•442	1	200	∅76	5.7	4.7	1450	CPICS
411	2	200	∅76	5.6	4.7	1460	CT/CZ
412	2	200	∅76	4.8	4.0	1460	CT/CZ
412	2	200	∅76	5.6	4.7	1460	CT/CZ
442	1	200	∅76	4.8	4.0	1460	CT/CZ
442	1	200	∅76	5.6	4.7	1460	CT/CZ

Impeller code	No. of vanes	Outlet dia mm CP vers.	Through-let, mm	Motor rating kW		rpm	Available versions
				P ₁	P ₂		
W•430	1	100/150	100x110	7.1	5.9	1445	CPICS
W•431	1	100/150	90x100	7.1	5.9	1445	CPICS
•431	1	100/150	90x100	5.7	4.7	1445	CPICS
W•432	1	100/150	87x100	7.1	5.9	1445	CPICS
•432	1	100/150	87x100	5.7	4.7	1445	CPICS
W•433	1	100/150	82x100	7.1	5.9	1445	CPICS
•433	1	100/150	82x100	5.7	4.7	1445	CPICS
W•434	1	100/150	80x100	7.1	5.9	1445	CPICS
•434	1	100/150	80x100	5.7	4.7	1445	CPICS
W•435	1	100/150	∅100	7.1	5.9	1445	CPICS
W•436	1	100/150	∅100	7.1	5.9	1445	CPICS
•436	1	100/150	∅100	5.7	4.7	1445	CPICS
•431	1	100/150	90x100	5.6	4.7	1460	CT/CZ
•432	1	100/150	87x100	5.6	4.7	1460	CT/CZ
•432	1	100/150	87x100	4.8	4.0	1455	CT/CZ
•433	1	100/150	82x100	5.6	4.7	1460	CT/CZ
•433	1	100/150	82x100	4.8	4.0	1455	CT/CZ
•434	1	100/150	80x100	5.6	4.7	1460	CT/CZ
•434	1	100/150	80x100	4.8	4.0	1455	CT/CZ
•436	1	100/150	∅100	5.6	4.7	1460	CT/CZ
•436	1	100/150	∅100	4.8	4.0	1455	CT/CZ

• Can be equipped with flush valve. * NEVACLOG