

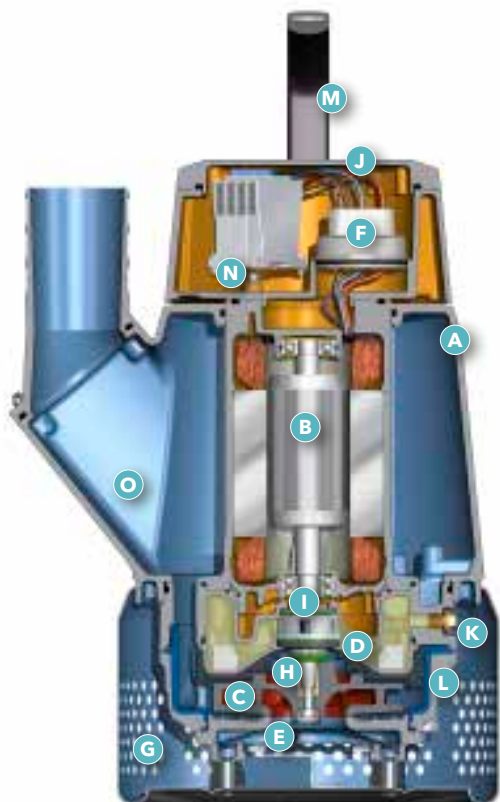
50Hz

# Flygt BIBO 2840

SOME THINGS MAKE A LASTING IMPRESSION

For decades whenever a dewatering challenge seemed too tough or too harsh, the answer has been simple, Flygt BIBO. So how do you improve upon a legend? Simple, we created a new one.

It still has the iconic look; a shape that means stability and robustness. We took our proven hydraulic design and merged it with features that once set the standard in dewatering pumping. For mining, quarrying, construction and tunneling, Flygt BIBO, still a choice you never regret.

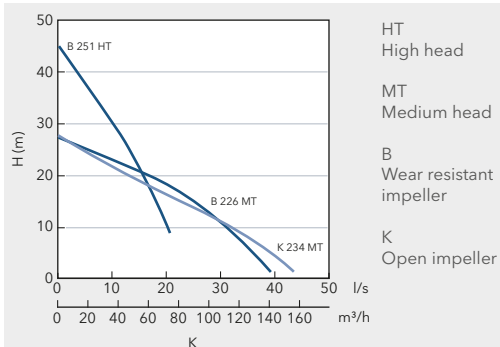


- A Air valve**  
The cooler the motor, the better the performance.
- B Class H motor**
- C Dura-Spin™**  
The unique closed impeller and the suction cover which reduces wear.
- D Spin-Out™**  
Protects the outer seal from abrasive particles.
- E Hard-Iron™ impeller and suction cover.**
- F Sealed off terminal board**
- G Strainer bottom with shock absorbers**
- H Single impeller-adjustment screw**
- I Plug-in™ seal with aluminum housing**
- J Inspection cover**
- K External inspection and oil plugs**
- L PolyLife™ coated wear parts**
- M Handle with adjustable height**
- N Less risk of cable damage with a protected cable entry**
- O Wide base and low discharge**



**FLYGT**  
a xylem brand

## Performance



## Rating

5.6 kW / 3-phase / 2,895 rpm

Voltage V	Rated current A	Starting current A
220 D	19	123
230 D	19	129
240 D	19	135
380 D	11	73
380 Y	11	68
400 D	11	78
400 Y	11	72
415 D	10	67
440 D	10	71
500 D	8.7	59
500 Y	8.6	53
525 D	8.2	51
550 D	7.9	55
660 Y	6.4	43
690 Y	6.3	45
1000 Y	4.3	30

## Denomination

Product code	2840.180
Installation	Portable
Discharge connection	3"/4"
Impeller characteristics	High head/medium head (HT/MT) Wear resistant impeller (B) with Dura-Spin™, Open (K)

## Process data

Liquid temperature	40°C (standard)
Depth of immersion	max 20 m
Liquid density	max 1100 kg/m <sup>3</sup>
Strainer hole dimension	ø 10.0 mm
The pH of the pumped liquid	pH 5-8

## Motor data

Frequency	50 Hz
Insulation class	H, 180°C
Voltage variation	max ± 10% - continuously running max ± 10% - intermittent running
Voltage imbalance	max 2% - between phases max 30 - No. of starts/hour

## Monitoring equipment

Thermal contacts	140°C opening temperature
------------------	---------------------------

## Cables

SUBCAB®	SUBCAB® Submersible cable
---------	---------------------------

## Materials

Outer casing	Aluminium
Impeller	Hard-Iron®
Wear parts	PolyLife/Nitrile rubber/Hard-Iron®
Stator housing	Aluminum
Strainer	Stainless steel
Shaft	Stainless steel
O-rings	Nitrile rubber
Discharge connection	Aluminium

## Mechanical face seals

Inner Active Seal™	Aluminium oxide/Tungsten carbide
Outer	Tungsten carbide/Tungsten carbide

## Weight and dimensions

Weight (excl. cable)	56 Kg
Height	762 mm
Width	ø 367 mm

## Options

Warm liquid version	Warm liquid version max 70°C
---------------------	------------------------------

Quick couplings

Starters

Level regulators

## Accessories

Tandem connections, hose connections. Electrical accessories such as pump controllers, control panels and monitoring relays. Zinc anodes.

**xylem**  
Let's Solve Water

XYLEM  
Gesällvägen 33  
174 87 Sundbyberg, Sweden  
Tel +46 8 475 60 00  
www.xylem.com  
www.flygt.com

© 2013 Xylem, Inc. All rights reserved. Flygt is a trademark of Xylem Inc. or one of its subsidiaries.

Environmental Product  
Declaration  
EPD-declared product

